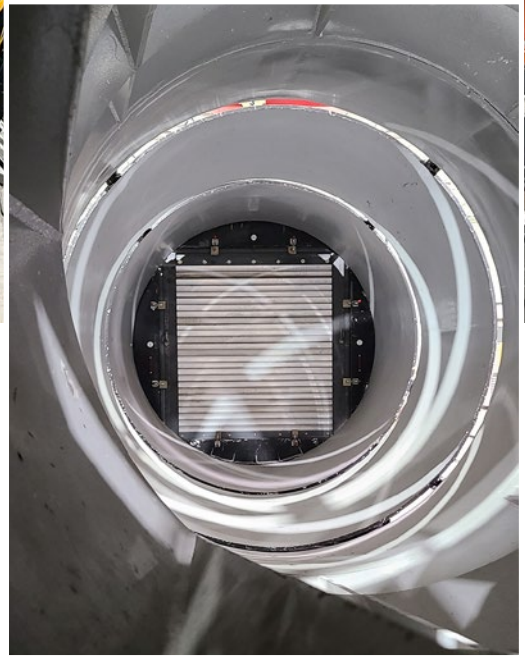


Blast and Security Door Systems



BlastShield™ Model BL6000

Blast Resistant Overhead Coiling Door

The McKEON BlastShield Model BL6000 blast resistant door passed all the requirements of the ASTM F2927-21 shock tube test and achieved extremely high results for the industry.

- ASTM Damage Level Category II
- Tested assembly permanent deformation – No greater than 1/2” and remained operable
- The witness chamber results recorded: “No debris was observed.”
- The BlastShield BL6000 is certified with a tested Peak Reflected Pressure of 10 psi (1,440 psf)

Product Features

Certifications

Independently tested by Intertek to ASTM F2927-21

Operation

Power motor operation

Size

Sizes based on desired Damage Level Category, Peak Reflected Pressure and project design requirements

Finishes

Dusky Charcoal

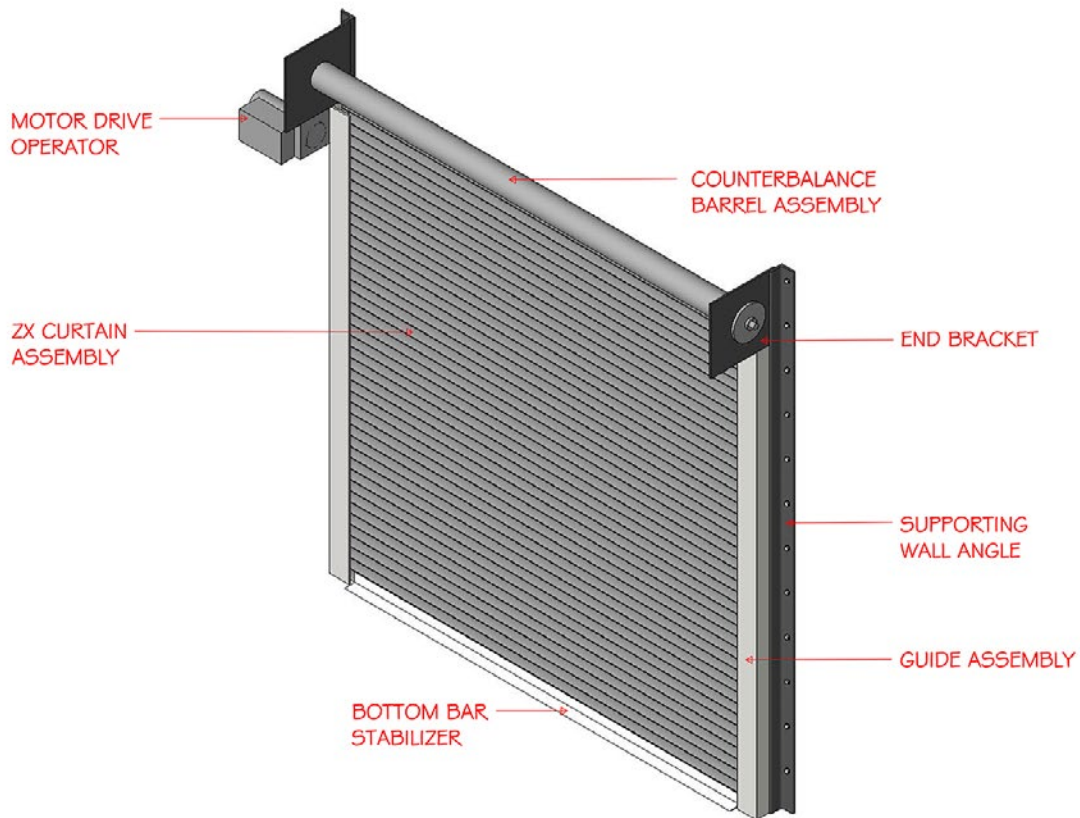
Powder Coat of any color as selected

This technology has patents pending.

BL6000

Blast and Security Door Systems

Building requirements are increasingly requiring blast resistant doors. The BlastShield BL6000 blast resistant door can be specified for use in many different applications such as educational facilities, chemical and processing facilities, pharmaceutical plants, manufacturing environments, automotive assembly plants, hazardous storage facilities, data centers, DOD, DOE and DOJ facilities, and research facilities.



MODEL	OPEN/CLOSE	EGRESS	FUNCTION
BL6000	Motor Operation	N/A	Vertical Acting Blast Door

