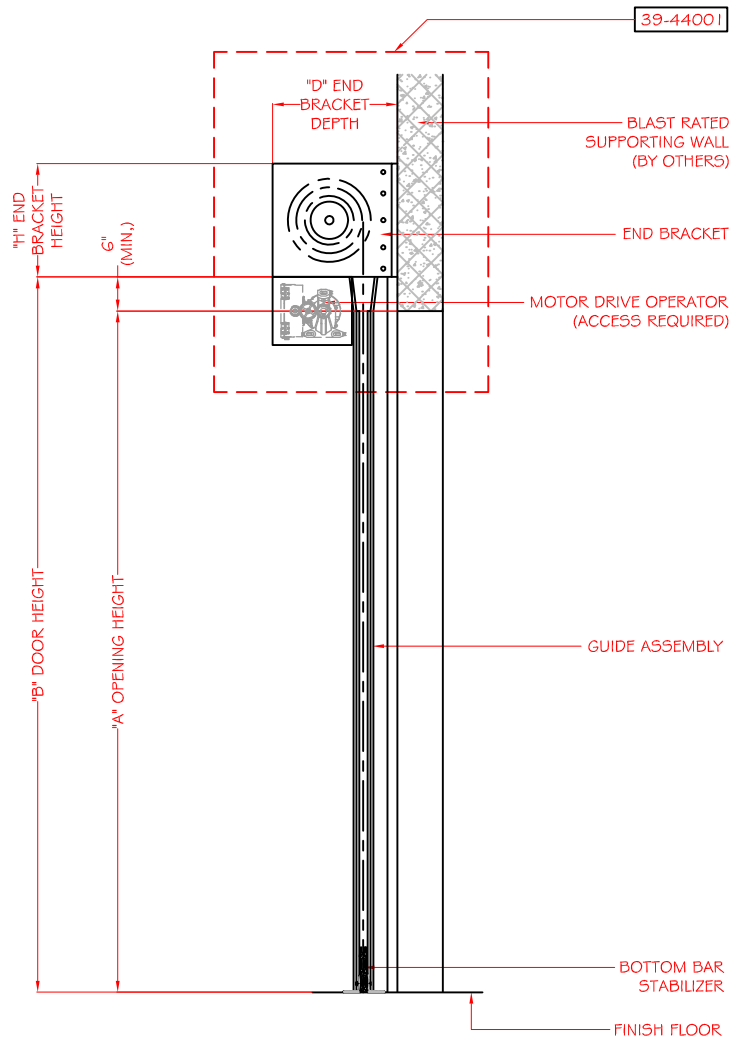
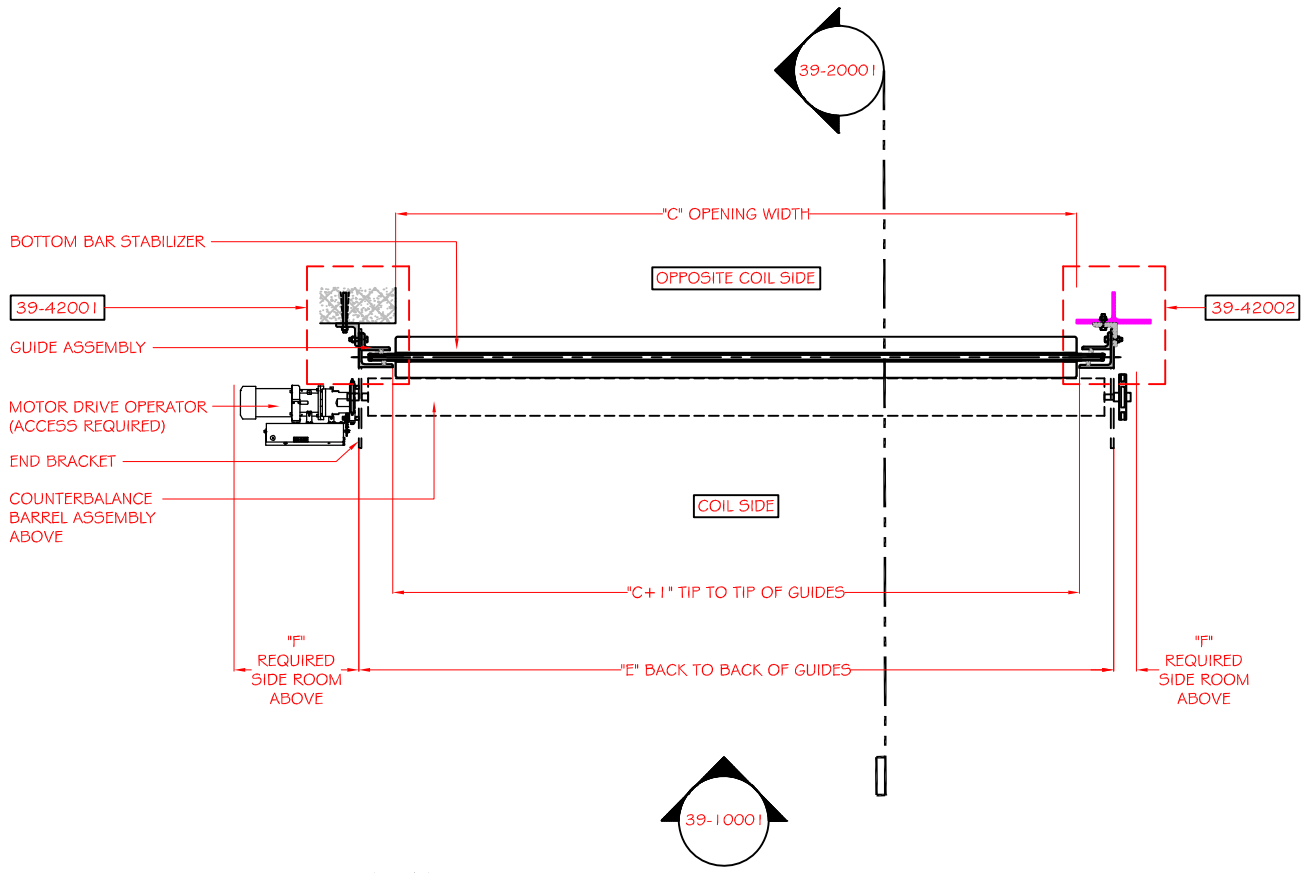


ELEVATION

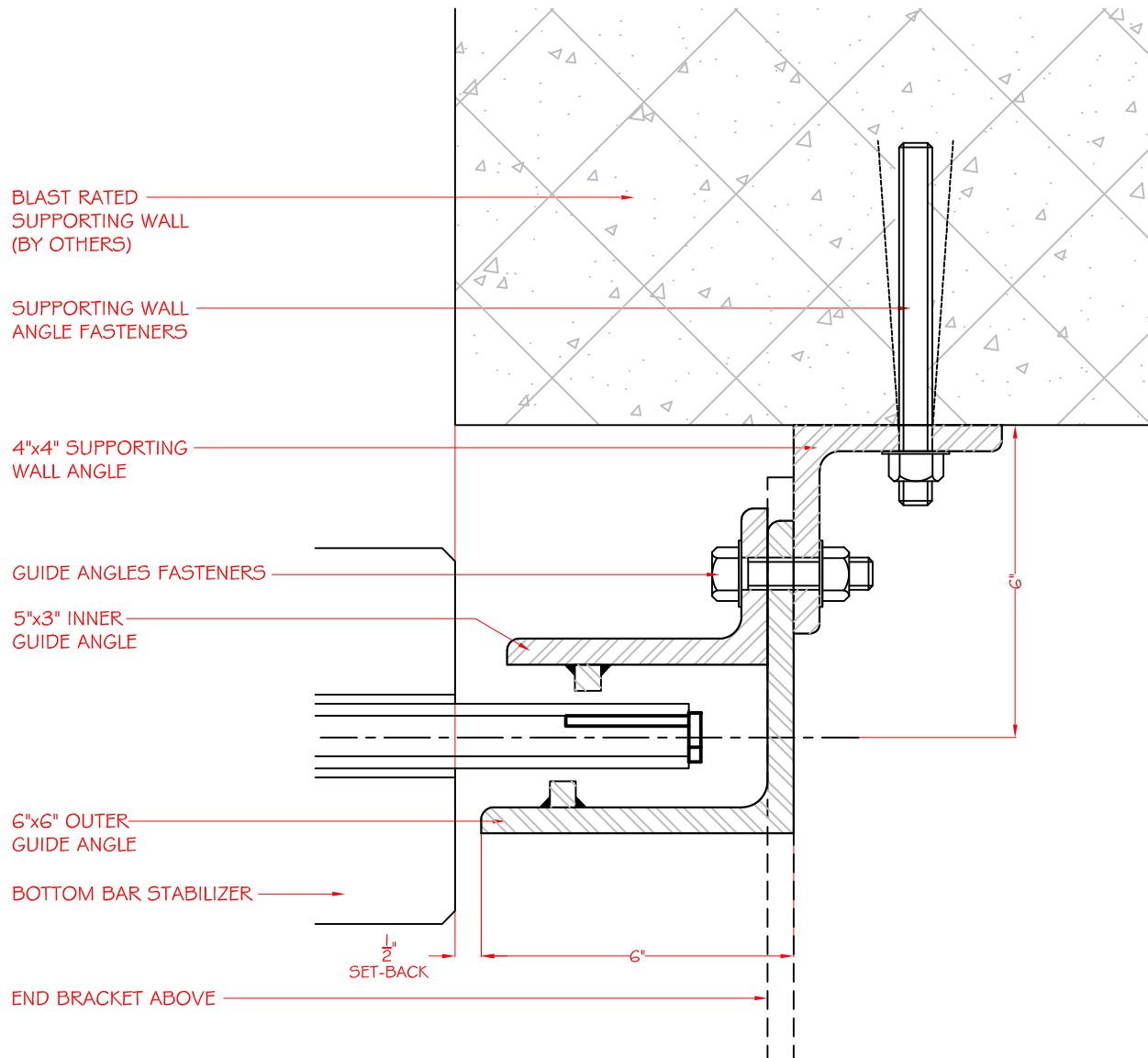


SECTION

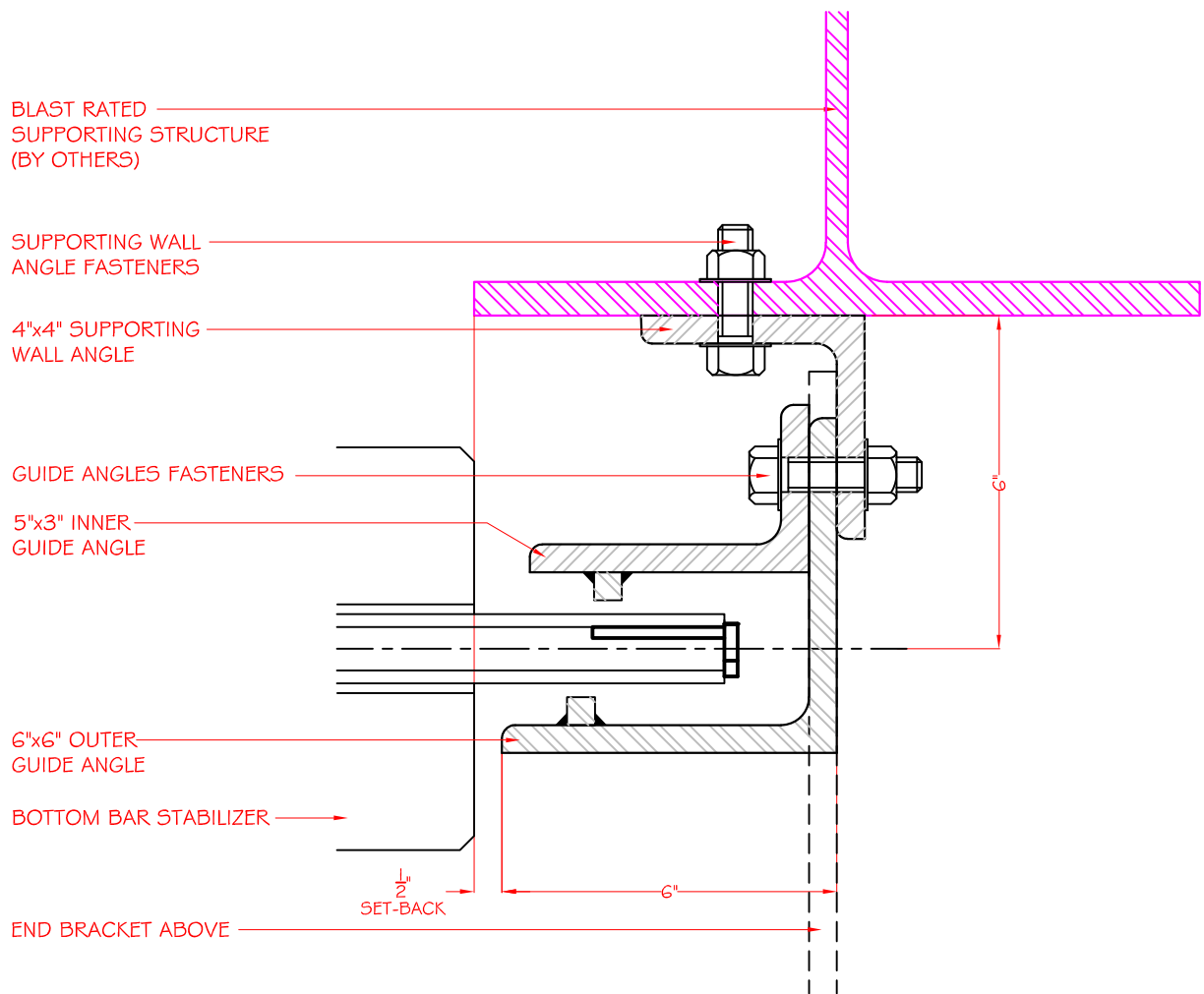


PLAN

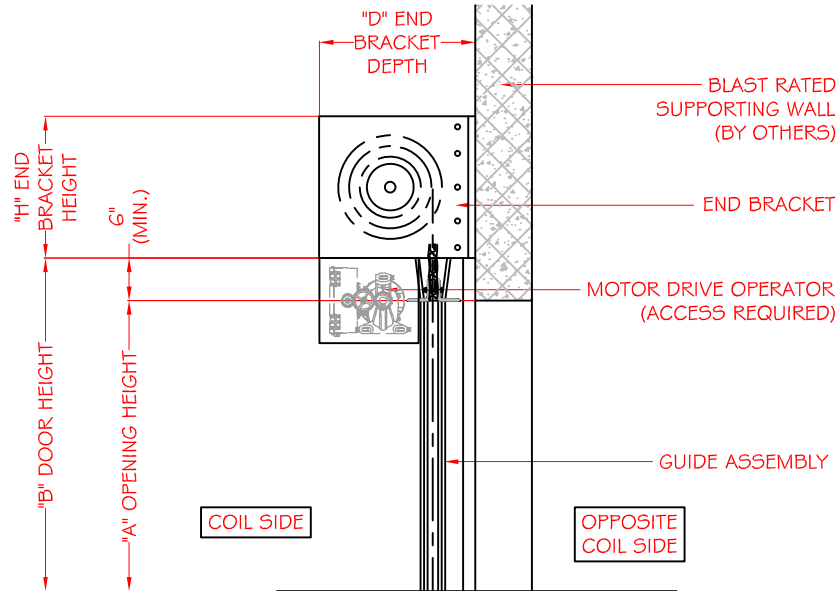
NOTE:
"F" - CONSULT FACTORY



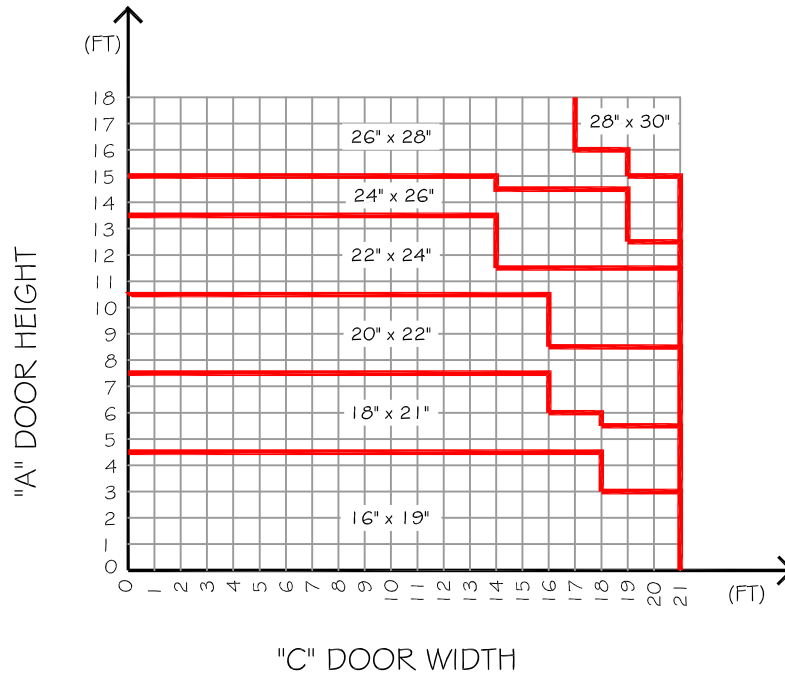
SIDE GUIDE ASSEMBLY DETAIL - CONCRETE "Z" MOUNT APPLICATION



SIDE GUIDE ASSEMBLY DETAIL - STEEL MOUNT APPLICATION



HEAD DETAIL



END BRACKET SELECTION CHART