



Optional U-Clamp



Description & Features:

- Liquid filled stainless steel case protects against vibration and pulsation
- Bayonet ring
- Highly accurate
- Back, bottom, or panel mounted
- Stainless steel or brass wetted parts
- Dry case available
- CRN registered
- 5 year warranty

Applications:

- Outdoor and severe ambient and process conditions
- Use where harmful vibration and pulsation are present
- Hydraulic equipment, pressure washers, oil field equipment, pumps, compressors and process systems

Specifications	Stainless Steel Internals	Brass Internals
Dial	2.5" (63mm), 4" (100mm), 6" (150mm) white aluminum with black and red markings	4" (100mm) white aluminum with black and red markings
Case	AISI 304 SS	AISI 304 SS
Lens	Polycarbonate	Polycarbonate
Ring	AISI 304 SS	AISI 304 SS
Socket	316 SS 2.5", 4": Welded one-piece socket	OT 58 brass
Connection	1/4" NPT or 1/2" NPT standard 2.5" (63mm): 1/4" NPT only	1/4" NPT or 1/2" NPT standard
Bourdon Tube	316 SS, drawn seamless	Phosphor bronze
Movement	304 SS 4" (100mm): Over/under stops (optional)	OT 59 brass
Pointer	2.5" (63mm): Aluminum, anodized black 4" (100mm), 6" (150mm): Aluminum, anodized black, micrometer adjustable	4" (100mm) aluminum, anodized black, micrometer adjustable
Welding	TIG	Silver alloy
Fill Liquid	Glycerin	Glycerin
Over-Pressure Limit	30% for pressures up to 600 psi (4,147 kPa), 15% for pressures over 600 psi (4,147 kPa)	25% for pressures up to 1,400 psi (9,653 kPa), 15% for pressures over 1,400 psi (9,653 kPa)
Socket Gasket	2.5" (63mm): Buna N for two-piece internal socket seal 6" (150mm): Buna N for one-piece external socket seal, Silicone rubber option	6" (150mm): Buna N for one-piece external socket seal, Silicone rubber option
Fill Plug	Buna N (Silicone rubber option)	Buna N (Silicone rubber option)
Lens Ring Gasket	Buna N (Silicone rubber option)	Buna N (Silicone rubber option)
Working Pressure	Maximum 75% of full scale value	Maximum 75% of full scale value
Ambient/Process Temperature	Dry: -40°F to 200°F (-40°C to 93°C) Glycerin Filled: -4°F to 150°F (-20°C to 65°C)	Dry: -40°F to 200°F (-40°C to 93°C) Glycerin Filled: -4°F to 150°F (-20°C to 65°C)
Accuracy	2.5" (63mm): ±1.5% of full scale value 4" (100mm), 6" (150mm): ±1% ANSI/ASME Grade 1A	4" (100mm): ±1% ANSI/ASME Grade 1A
Enclosure Rating	IP66, EN60529-1 (IEC529-1)	IP66, EN60529-1 (IEC529-1)

Single Scale Order Codes (products in bold are normally in stock)

Dial Size	2.5" (63mm)		4" (100mm)			
Connection	1/4" Bottom	1/4" Back (CB)	1/4" Bottom	1/2" Bottom	1/4" Back (LB)	1/2" Back (LB)
Movement Socket, Tube	SS	SS	SS	SS	SS	SS
30" Hg Vacuum	PFP820R1	PFP840R1	PFP640R1	PFP655R1	PFP1090R1	-
30"-0-15 psi	PFP860R1	PFP870R1	PFP1036R1	PFP1044R1	PFP1244R1	-
30"-0-30 psi	PFP861R1	PFP871R1	PFP1037R1	PFP1045R1	PFP1245R1	-
30"-0-60 psi	PFP862R1	PFP872R1	PFP1038R1	PFP1046R1	PFP1246R1	-
30"-0-100 psi	PFP863R1	PFP873R1	PFP1039R1	PFP1047R1	PFP1247R1	-
30"-0-150 psi	PFP864R1	PFP874R1	PFP1040R1	PFP1048R1	PFP1248R1	-
30"-0-200 psi	PFP866R1	PFP876R1	PFP1042R1	PFP1050R1	PFP1249R1	-
30"-0-300 psi	PFP867R1	PFP877R1	PFP1043R1	PFP1051R1	PFP1250R1	-
0-15 psi	PFP821R1	PFP921R1	PFP641R1	PFP656R1	PFP1091R1	-
0-30 psi	PFP822R1	PFP922R1	PFP642R1	PFP657R1	PFP1092R1	-
0-60 psi	PFP823R1	PFP923R1	PFP643R1	PFP658R1	PFP1093R1	-
0-100 psi	PFP824R1	PFP924R1	PFP644R1	PFP659R1	PFP1094R1	-
0-160 psi	PFP825R1	PFP925R1	PFP645R1	PFP660R1	PFP1095R1	-
0-200 psi	PFP826R1	PFP926R1	PFP646R1	PFP661R1	PFP1096R1	-
0-300 psi	PFP827R1	PFP927R1	PFP647R1	PFP662R1	PFP1097R1	-
0-400 psi	PFP880R1	PFP881R1	PFP650R1	PFP666R1	PFP1251R1	-
0-600 psi	PFP828R1	PFP928R1	PFP648R1	PFP663R1	PFP1098R1	-
0-1,000 psi	PFP829R1	PFP929R1	PFP649R1	PFP664R1	PFP1099R1	-
0-1,500 psi	PFP834R1	PFP934R1	-	PFP665R1	PFP1252R1	PFP1190R1
0-2,000 psi	PFP830R1	PFP930R1	-	PFP667R1	PFP1253R1	PFP1191R1
0-3,000 psi	PFP831R1	PFP931R1	-	PFP668R1	PFP1254R1	PFP1192R1
0-5,000 psi	PFP832R1	PFP852R1	-	PFP669R1	PFP1255R1	PFP1193R1
0-6,000 psi	PFP836R1	PFP851R1	-	PFP675R1	PFP1259R1	PFP1197R1
0-10,000 psi	PFP833R1	PFP853R1	-	PFP670R1	PFP1256R1	PFP1194R1
0-15,000 psi	PFP835R1	PFP855R1	-	PFP671R1	PFP1257R1	PFP1195R1
0-20,000 psi	PFP837R1	-	-	PFP672R1	PFP1258R1	PFP1196R1

Other ranges and connection sizes available upon request. 316 SS case and mountable bezel available upon request. For scale change, refer to How to Order Guide for scale codes. **For options, attach suffix to end of order code: i.e. PFP929-25UC for U-CLAMP.**

Option suffix:

25BF = 2.5" (63mm) Back Flange

25FF = 2.5" (63mm) Front Flange

25UC = 2.5" (63mm) U-Clamp

25DRY = Supply 2.5" gauge less liquid fill

2.5 BOOT = 2.5" (63mm) black rubber boot

4BF = 4" (100mm) Back Flange

4FF = 4" (100mm) Front Flange

4UC-P = 4" (100mm) Premium U-Clamp

DRY = Supply 4" gauge less liquid fill

SF25 = Silicone Filled for 2.5"

SF4 = Silicone Filled for 4"

SG-25 = Safety Glass 2.5"

SG-4 = Safety Glass Lens 4"

REST = Restrictor Screw

Dual Scale Order Codes (products in bold are normally in stock)

Dial Size	2.5" (63mm)		4" (100mm)				4" (100mm)			
	1/4" Bottom	1/4" Back (CB)	1/4" Bottom	1/2" Bottom	1/4" Back (LB)	1/2" Back	1/4" Bottom	1/2" Bottom	1/4" Back (LB)	1/2" Back (LB)
Movement Socket, Tube	SS	SS	Brass	Brass	Brass	Brass	SS	SS	SS	SS
30" Hg Vacuum/kPa	PFP820	PFP840	PFP600	PFP2284	PFP1000	-	PFP640	PFP655	PFP1090	PFP2308
30"-0-15 psi/kPa	PFP860	PFP870	PFP1020	PFP2285	PFP1028	-	PFP1036	PFP1044	PFP1244	PFP2309
30"-0-30 psi/kPa	PFP861	PFP871	PFP1021	PFP2286	PFP1029	-	PFP1037	PFP1045	PFP1245	PFP2310
30"-0-60 psi/kPa	PFP862	PFP872	PFP1022	PFP2287	PFP1030	-	PFP1038	PFP1046	PFP1246	PFP2311
30"-0-100 psi/kPa	PFP863	PFP873	PFP1023	PFP2288	PFP1031	-	PFP1039	PFP1047	PFP1247	PFP2312
30"-0-150 psi/kPa	PFP864	PFP874	PFP1024	PFP2289	PFP1032	-	PFP1040	PFP1048	PFP1248	PFP2313
30"-0-200 psi/kPa	PFP866	PFP876	PFP1026	PFP2290	PFP1034	-	PFP1042	PFP1050	PFP1249	PFP2314
30"-0-300 psi/kPa	PFP867	PFP877	PFP1027	PFP2291	PFP1035	-	PFP1043	PFP1051	PFP1250	PFP2315
0-15 psi/kPa	PFP821	PFP921	PFP601	PFP2292	PFP1001	-	PFP641	PFP656	PFP1091	PFP2316
0-30 psi/kPa	PFP822	PFP922	PFP602	PFP2293	PFP1002	-	PFP642	PFP657	PFP1092	PFP2317
0-60 psi/kPa	PFP823	PFP923	PFP603	PFP2294	PFP1003	-	PFP643	PFP658	PFP1093	PFP2318
0-100 psi/kPa	PFP824	PFP924	PFP604	PFP2295	PFP1004	-	PFP644	PFP659	PFP1094	PFP2319
0-160 psi/kPa	PFP825	PFP925	PFP605	PFP2296	PFP1005	-	PFP645	PFP660	PFP1095	PFP2320
0-200 psi/kPa	PFP826	PFP926	PFP606	PFP2297	PFP1006	-	PFP646	PFP661	PFP1096	PFP2321
0-300 psi/kPa	PFP827	PFP927	PFP607	PFP2298	PFP1007	-	PFP647	PFP662	PFP1097	PFP2322
0-400 psi/kPa	PFP880	PFP881	PFP610	PFP2299	PFP1016	-	PFP650	PFP666	PFP1251	PFP2323
0-600 psi/kPa	PFP828	PFP928	PFP608	PFP2300	PFP1008	-	PFP648	PFP663	PFP1098	PFP2324
0-1,000 psi/kPa	PFP829	PFP929	PFP609	PFP624	-	PFP1009	PFP649	PFP664	PFP1099	PFP2325
0-1,500 psi/kPa	PFP834	PFP934	-	PFP625	-	PFP1010	PFP2301	PFP665	PFP1252	PFP1190
0-2,000 psi/kPa	PFP830	PFP930	-	PFP626	-	PFP1011	PFP2302	PFP667	PFP1253	PFP1191
0-3,000 psi/kPa	PFP831	PFP931	-	PFP627	-	PFP1012	PFP2303	PFP668	PFP1254	PFP1192
0-5,000 psi/kPa	PFP832	PFP852	-	PFP628	-	PFP1013	PFP2304	PFP669	PFP1255	PFP1193
0-6,000 psi/kPa	PFP836	PFP851	-	PFP631	-	PFP1015	PFP2305	PFP675	PFP1259	PFP1197
0-10,000 psi/kPa	PFP833	PFP853	-	PFP629	-	PFP1014	PFP2306	PFP670	PFP1256	PFP1194
0-15,000 psi/kPa	PFP835	PFP855	-	PFP630	-	PFP1018	PFP2307	PFP671	PFP1257	PFP1195
0-20,000 psi/kPa	PFP837	-	-	PFP639	-	PFP1019	-	PFP672	PFP1258	PFP1196

Other ranges and connection sizes available upon request. 316 SS case and mountable bezel available upon request. For scale change, refer to How to Order Guide for scale codes. **For options, attach suffix to end of order code: i.e. PFP929-25UC for U-CLAMP.**

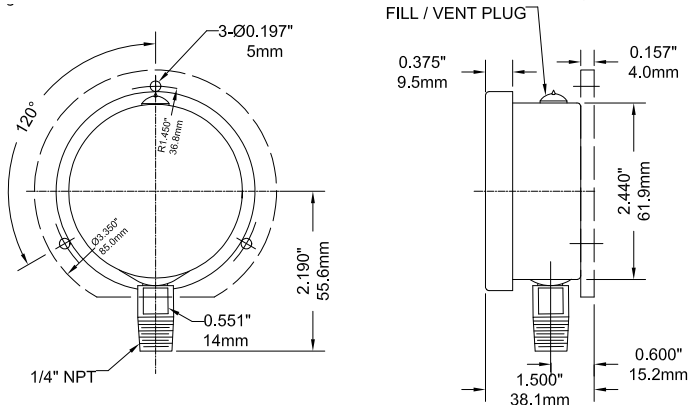
Option suffix:

25BF = 2.5" (63mm) Back Flange
 25FF = 2.5" (63mm) Front Flange
 25UC = 2.5" (63mm) U-Clamp
 25DRY = Supply 2.5" gauge less liquid fill
 2.5 BOOT = 2.5" (63mm) black rubber boot

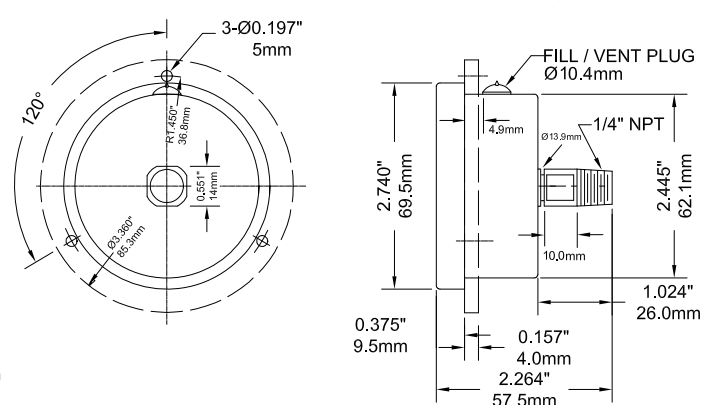
4BF = 4" (100mm) Back Flange
 4FF = 4" (100mm) Front Flange
 4UC-P = 4" (100mm) Premium U-Clamp
 DRY = Supply 4" gauge less liquid fill

SF25 = Silicone Filled for 2.5"
 SF4 = Silicone Filled for 4"
 SG-25 = Safety Glass 2.5"
 SG-4 = Safety Glass Lens 4"
 REST = Restrictor Screw

2.5" Bottom Connection with optional Back Flange



2.5" Back Connection with optional Front Flange



Dual Scale Order Codes (products in bold are normally in stock)

Dial Size	6" (150mm)			
Connection	1/4" Bottom	1/4" Back (LB)	1/2" Bottom	1/2" Back (LB)
Movement, Socket, Tube	SS	SS	SS	SS
30" Hg Vacuum/kPa	PFP1078	PFP1168	PFP2326	-
30"-0-15 psi/kPa	PFP1079	-	PFP2327	-
30"-0-30 psi/kPa	PFP1052	-	PFP2328	-
30"-0-60 psi/kPa	PFP1053	-	PFP2329	-
30"-0-100 psi/kPa	PFP1054	-	PFP2330	-
30"-0-150 psi/kPa	PFP1055	-	PFP2331	-
30"-0-200 psi/kPa	PFP1057	-	PFP2332	-
30"-0-300 psi/kPa	PFP1058	-	PFP2333	-
0-15 psi/kPa	PFP1059	PFP1159	PFP2334	-
0-30 psi/kPa	PFP1060	PFP1160	PFP2335	-
0-60 psi/kPa	PFP1061	PFP1161	PFP2336	-
0-100 psi/kPa	PFP1062	PFP1162	PFP2337	-
0-160 psi/kPa	PFP1063	PFP1163	PFP2338	-
0-200 psi/kPa	PFP1064	PFP1164	PFP2339	-
0-300 psi/kPa	PFP1065	PFP1165	PFP2340	-
0-400 psi/kPa	PFP1077	-	PFP2341	-
0-600 psi/kPa	PFP1066	PFP1166	PFP2342	-
0-1,000 psi/kPa	PFP1067	PFP1167	PFP1080	-
0-1,500 psi/kPa	PFP1068	-	PFP1081	PFP1169
0-2,000 psi/kPa	PFP1069	-	PFP1082	PFP1170
0-3,000 psi/kPa	PFP1070	-	PFP1083	PFP1171
0-5,000 psi/kPa	PFP1072	-	PFP1085	PFP1172
0-6,000 psi/kPa	-	-	PFP1089	PFP1176
0-10,000 psi/kPa	PFP1073	-	PFP1086	PFP1173
0-15,000 psi/kPa	PFP1074	-	PFP1087	PFP1174
0-20,000 psi/kPa	PFP1075	-	PFP1088	PFP1175

Other ranges and connection sizes available upon request. For scale change, refer to How to Order Guide for scale codes. **For options, attach suffix to end of order code: i.e. PFP1064-SC for SAFETY CASE.**

Option suffix:

6BF = 6" (150mm) Back Flange

6FF = 6" (150mm) Front Flange

6UC = 6" (150mm) U-Clamp

Dry = supply above gauge less liquid fill

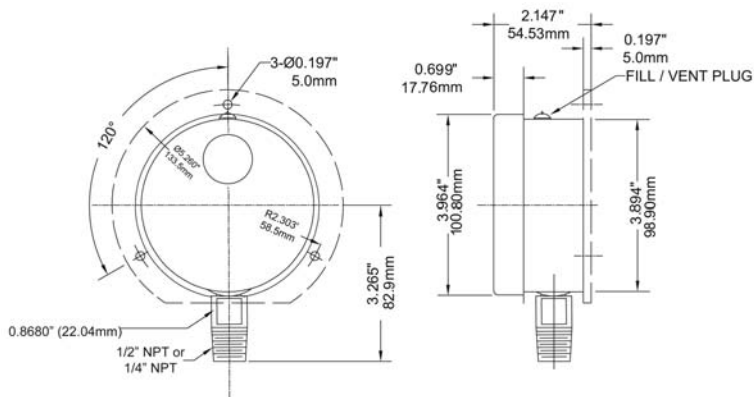
REST = Restrictor Screw

SC = Safety Case (6" bottom connection)

SG-6 = Safety Glass Lens 6"

SF6 = Silicone Filled for 6"

4" Bottom Connection, Back Flange Option



6" Back Connection with Front Flange

