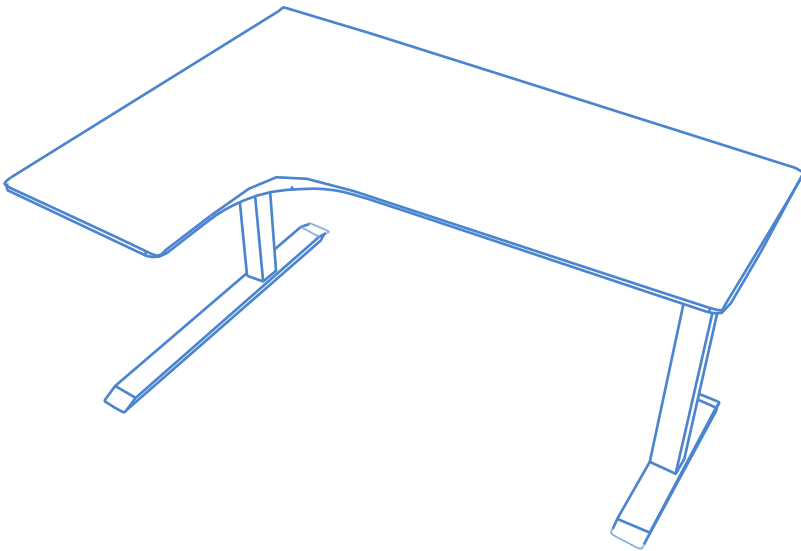


Dual Motor Height-Adjustable Table

Installation and operating instructions



Model A3L



Some of the installation
steps require two people to
work together

Preface

First of all, thank you for purchasing updesk products.

We are very happy to gain your trust, and we will be committed to providing you with great value electric lifting tables. We believe that electric lifting tables will provide you with a healthy and happy experience.

Indexing

Precautions.....	02
Parts Diagram.....	03
Installation Steps.....	04-08
Hand controller operation instructions	09
Instructions for use.....	10

Precautions

1. Make sure there are no obstacles during the lifting process of the lifting table
2. Make sure the tabletop of the lifting table does not touch any wall
3. Make sure the length of the power cord can adapt to the height change of the lifting table



Keep children away from the electric lift table, controller and hand control panel. Improper operation may cause bodily injury and electric shock.



Keep all electronic components away from liquids.



Please do not sit or stand on top of the table stand. Do not lie down or crouch under the table stand.



Do not place objects higher than 50 cm under the table frame.



Do not open any parts, including table legs, controllers and hand control panels, as opening may cause the risk of electric shock.



The product is designed with a duty cycle of 10% (i.e., 2 minutes of work and 18 minutes of rest)



If you encounter a power outage or unplug the power supply, you may need to manually reset it. Please refer to the instructions in step 11

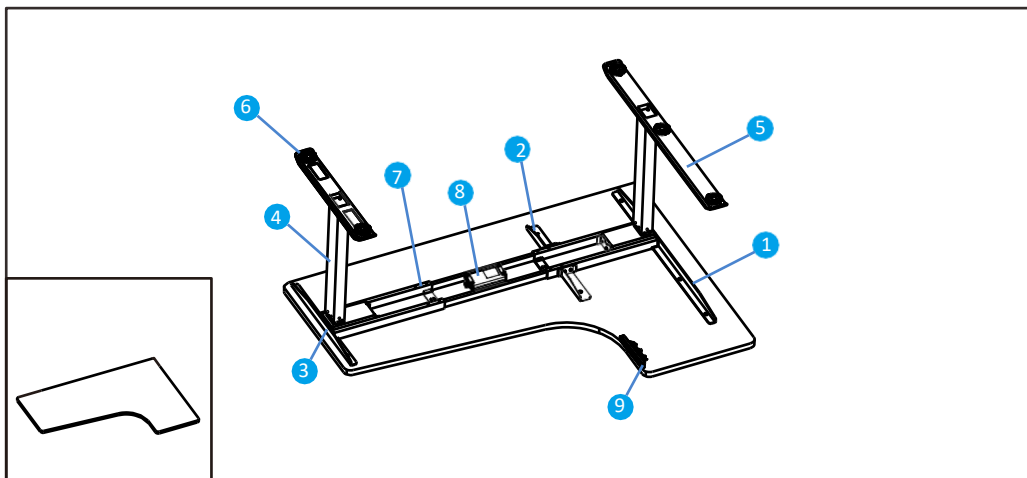
Use and liability

Our height-adjustable desk is designed to be raised and lowered by an electric motor and should be used in a dry work area. The height of the desk is adjustable so it can be set to the most ergonomic height. Any other use is at the user's risk. We do not assume any product claims or liability claims resulting from improper use or operation.

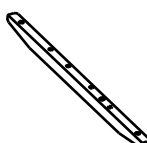




Important reminder:




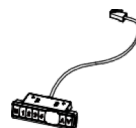

This manual does not contain any positional expressions or other implications. For this reason, our company reserves the right to modify the manual, and the content may be updated at any time without prior notice.

Parts Diagram


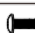


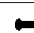


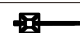

x1 tabletop

<p>1</p>  <p>x1 Long arm</p>	<p>2</p>  <p>x2 Arm support</p>	<p>3</p>  <p>x1 Short arm</p>	<p>4</p>  <p>x2 Lifting column</p>	<p>5</p>  <p>x1 Long feet</p>
--	--	--	---	---

<p>6</p>  <p>x1 Short foot</p>	<p>7</p>  <p>x1 Framework</p>	<p>8</p>  <p>x1 Control box</p>	<p>9</p>  <p>x1 Hand controller</p>	<p>10</p>  <p>x1 Power cord</p>
--	---	---	---	--

Screw List

Part	Quantity	Standard	Schematic diagram
A	8	M6x14mm	
B	12	M6x12mm	
C	4	M6x8mm	
D	9	M6x20mm(Preset)	
	9	ST4.8x25mm	
E	2	ST4.8x18mm	

Part	Quantity	Standard	Schematic diagram
F	2	ST3.5x16mm	
G	9	Upper gasket	
H	9	Lower gasket	
I	5	Wire buckle	
J	1	4mm	

Installation Tools



Electric or Phillips screwdriver



Measuring tape



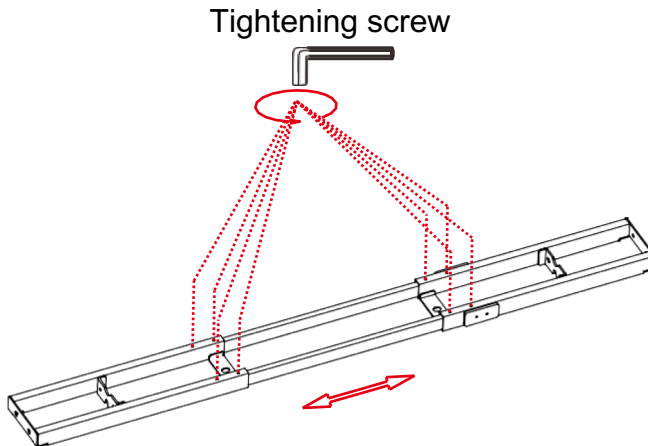
Using these tools will help you install more conveniently.

Installation steps



When you install, please check all the parts first to make sure you have received all the parts mentioned in the manual.

1 Adjusting the tensile beam



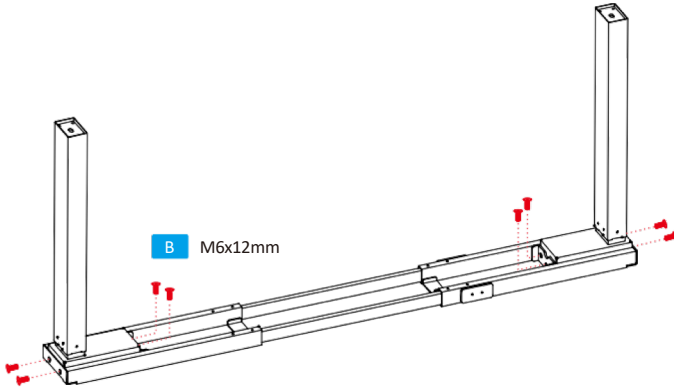
• Tool

J 4mm



Installation steps

2 Assembling the columns

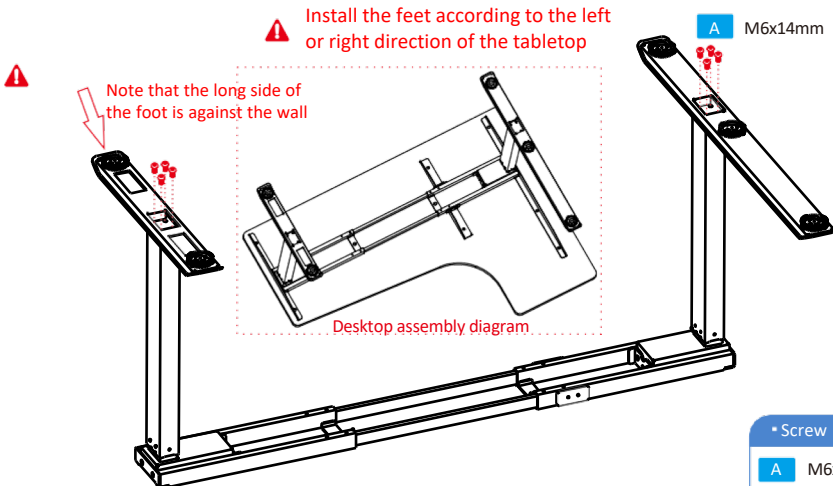


• Screw

B M6x12mm

8PCS

3 Assembling the feet



⚠ Install the feet according to the left or right direction of the tabletop

⚠ Note that the long side of the foot is against the wall

Desktop assembly diagram

• Screw

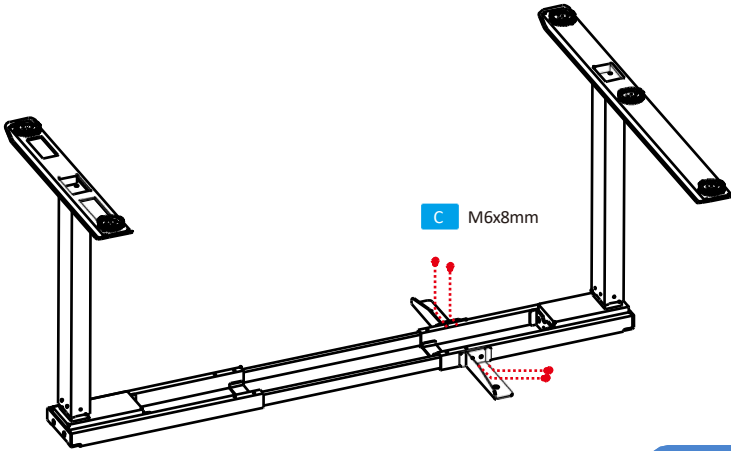
A M6x14mm

8PCS

Installation steps

4

Assembling the middle arm



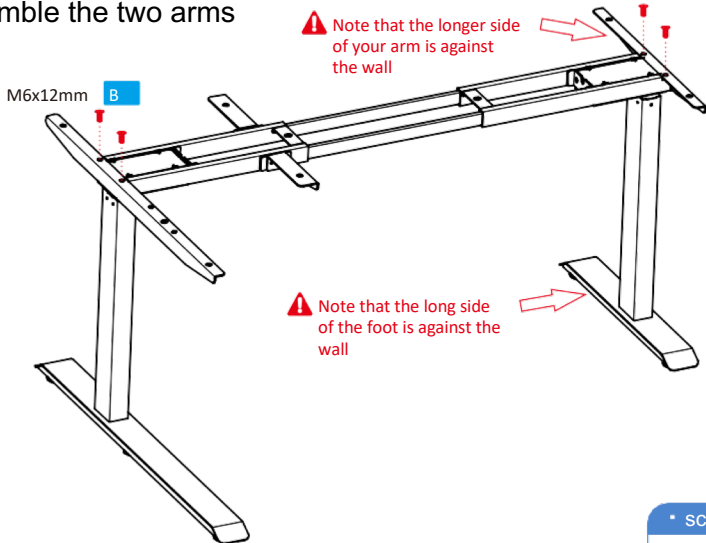
• Screw

C M6x8mm

4PCS

5

Assemble the two arms



⚠ Note that the longer side of your arm is against the wall

⚠ Note that the long side of the foot is against the wall

M6x12mm

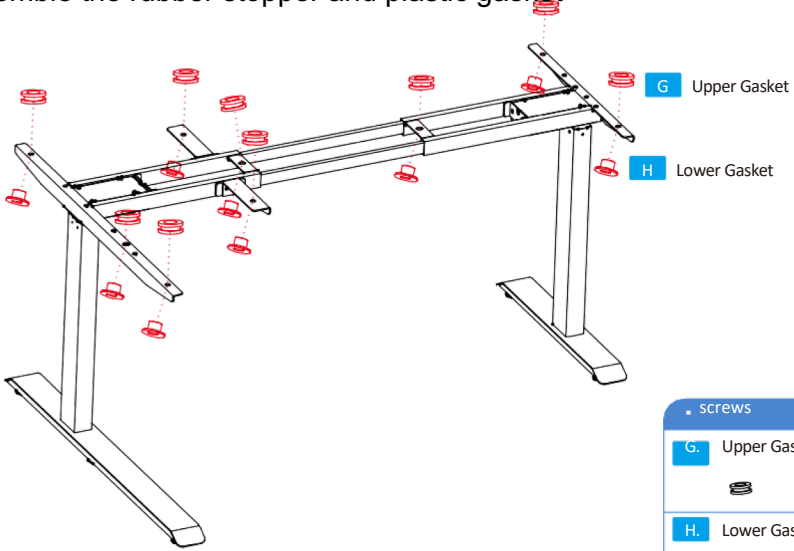
• screw

B M6x12mm

4PCS

Installation steps

6 Assemble the rubber stopper and plastic gasket



screws

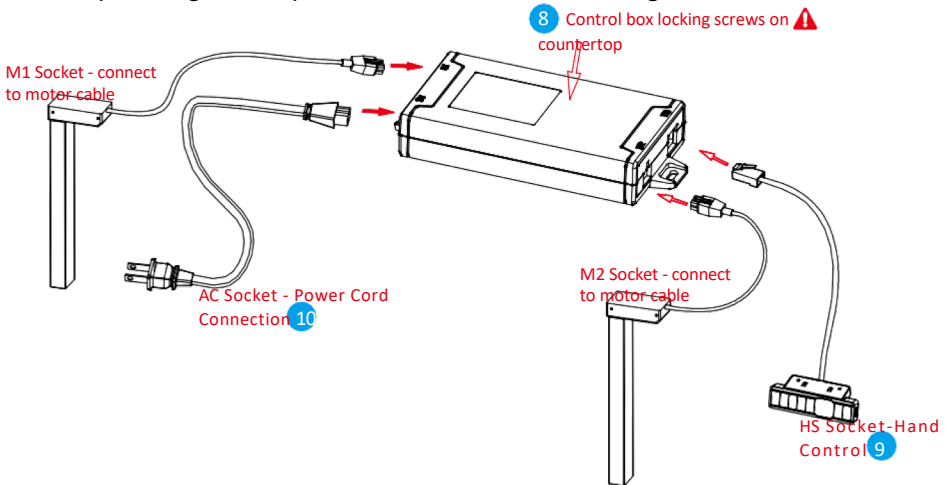
G. Upper Gasket 9PCS



H. Lower Gasket 9PCS



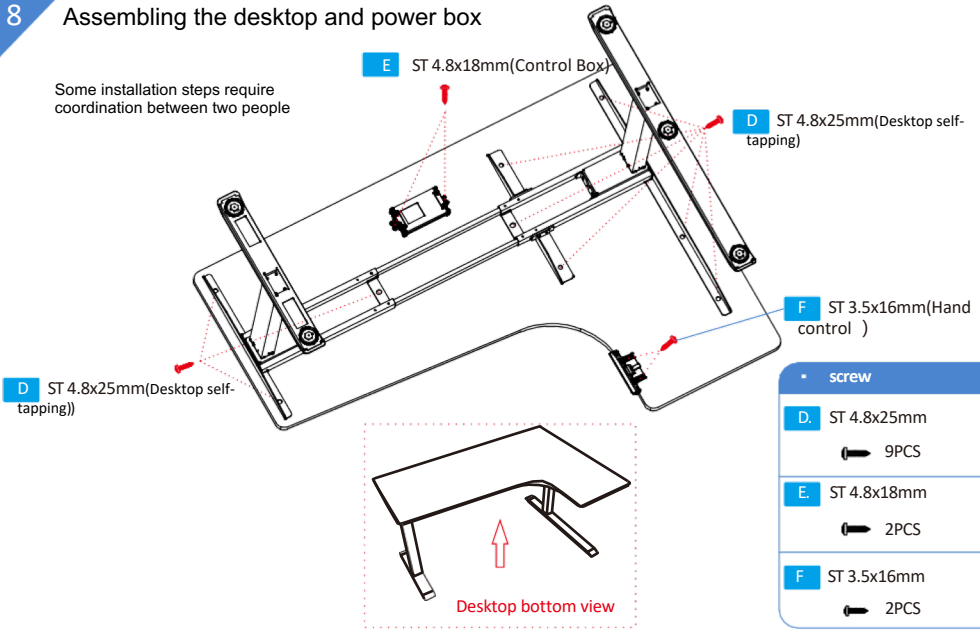
7 Corresponding to the power box socket and wiring



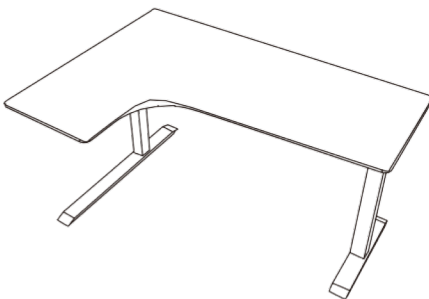
Installation steps

8 Assembling the desktop and power box

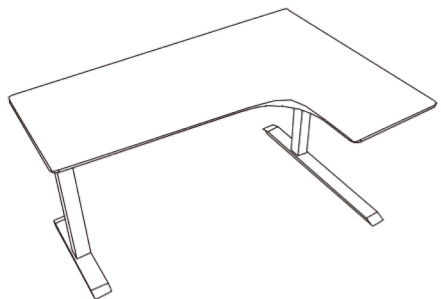
Some installation steps require coordination between two people



9 Assembly Complete



Left display



Right display

Hand control operating instructions



Reset Operation

Tip: You must reset before use ⚠️

- Before resetting, make sure there are no obstacles within the table's lifting range and that the tabletop does not touch any wall.
- Make sure the power/data cable is connected correctly and that the power cable is long enough to accommodate the height change of the lifting table.

The reset operation is as follows: Press and hold the "V" key to lower the table to the lowest height until the motor stops. When you hear a "beep" sound, release the key to complete the reset operation.

Note that you cannot release the "V" key during this process. If you release the key, the reset operation will stop.

Up and down key operation

When the "▲" key is pressed, the desktop moves upward until it reaches the highest point on the desktop.

When the "▼" key is pressed, the desktop moves downward until it reaches the lowest point on the desktop.

Position storage and memory operation

This lifting table has 4 different height position memories, and the stored memory positions are still valid after power failure.

The hand controller in the above picture can store 4 memory points. The storage method is as follows. When running to a specific point, press the "M" key, the digital tube displays "S-", and "_" flashes at the same time. At this time, press the "1-4" key to store the current position to the corresponding label.

If you want to run to a memory point, you only need to press the label of the corresponding storage position. At this time, the digital tube will display the height of the corresponding label position, and then automatically run to the corresponding height stored so far. During operation, any key can stop the system.

Fault resolution

If your desk lift isn't working properly, you may need to perform a reset. Unplug the power cord for 20 seconds, then plug it back in and follow the reset instructions.

1. Cleaning and maintenance instructions

- (1) daily maintenance, should use a clean soft cloth wipe the surface dust. Do not use wet cloth, hard objects to wipe the surface. Do not contact the surface with acid, alkaline chemicals.
- (2) Metal foot paint part can only use a towel dipped in water and then wrung out before cleaning, avoid contact with acid, alkali and other corrosive liquids.
- (3) In case of minor scratches, gently wipe with a soft cloth repeatedly to smooth out the scratches.
- (4) When you need to use tape to fix the package, avoid directly affixing it to the outer surface of the metal foot type to prevent the paint film from peeling off.
- (5) To avoid ballpoint pen, ink, etc. dirty desktop, such as found on the desktop stains, etc., with a warm wet towel (do not drip) wipe clean, and finally with protective agent care.
- (6) Should avoid sunlight for a long time to irradiate the desktop, placed in high-temperature conditions or placed in a dry environment, so as not to cause local discoloration or fading.

2. Slab Top Lift Table

- (1) In the process of using the leather countertop lift table, pay attention to waterproof, moisture-proof and grease-proof.
- (2) The daily cleaning of the plate top lift table can be used to dust the surface duster gently. Cleaning must be carried out in the direction of the wood grain, try not to wipe back and forth.

3. Leather Top Lift Table

- (1) In the process of using the leather countertop lift table, pay attention to waterproof, moisture, oil stains, powder.
- (2) leather table lifting table in the use of the process is prohibited in the leather table tops vigorously extruded or placed heavy objects, if the leather table tops appeared in the phenomenon of prints, can be used to wait for a hot thin towel across the skin to rebound or with a hot wind blown to the skin rebound can be blown, blowing time should not be too long and too hot and the outlet should not rely on the leather table tops are too close. It is recommended that the table mat can be used to lay on the leather countertop to protect the countertop and then normal use.
- (3) the usual use of hot water cups, should put some coasters on the countertop to prevent the leather countertop overheating cup marks.
- (4) The daily cleaning of the leather lift table can be used chicken feather duster gently dust the surface dust can be.

4. Precautions

- (1) Please put it on the level ground when using.
- (2) When the product is to be moved, it should never be pushed on the rough hard ground, and the table legs and table top should be lifted together to move.
- (3) Please do not let children use the lift table alone.
- (4) Please do not sit on the table top, which will easily lead to product damage and danger.
- (5) Do not stand on the table top and use it as a ladder, it is easy to fall and get hurt.
- (6) Do not scratch the surface of the table with sharp and hooked objects, and do not get close to open fire.
- (7) Product placement should be located away from coal fires, radiators and other heat sources, so as not to overheat the furniture resulting in discoloration and aging of the finish material.
- (8) The product should be used in a dry and ventilated place. If water is accidentally poured onto the tabletop, it should be wiped immediately with a dry cloth to prevent it from seeping into the board and causing swelling or mold.
- (9) Please make sure that there is no obstacle in the process of table lifting, the tabletop is not next to the wall, and the length of all the wires meets the table up and down movement.