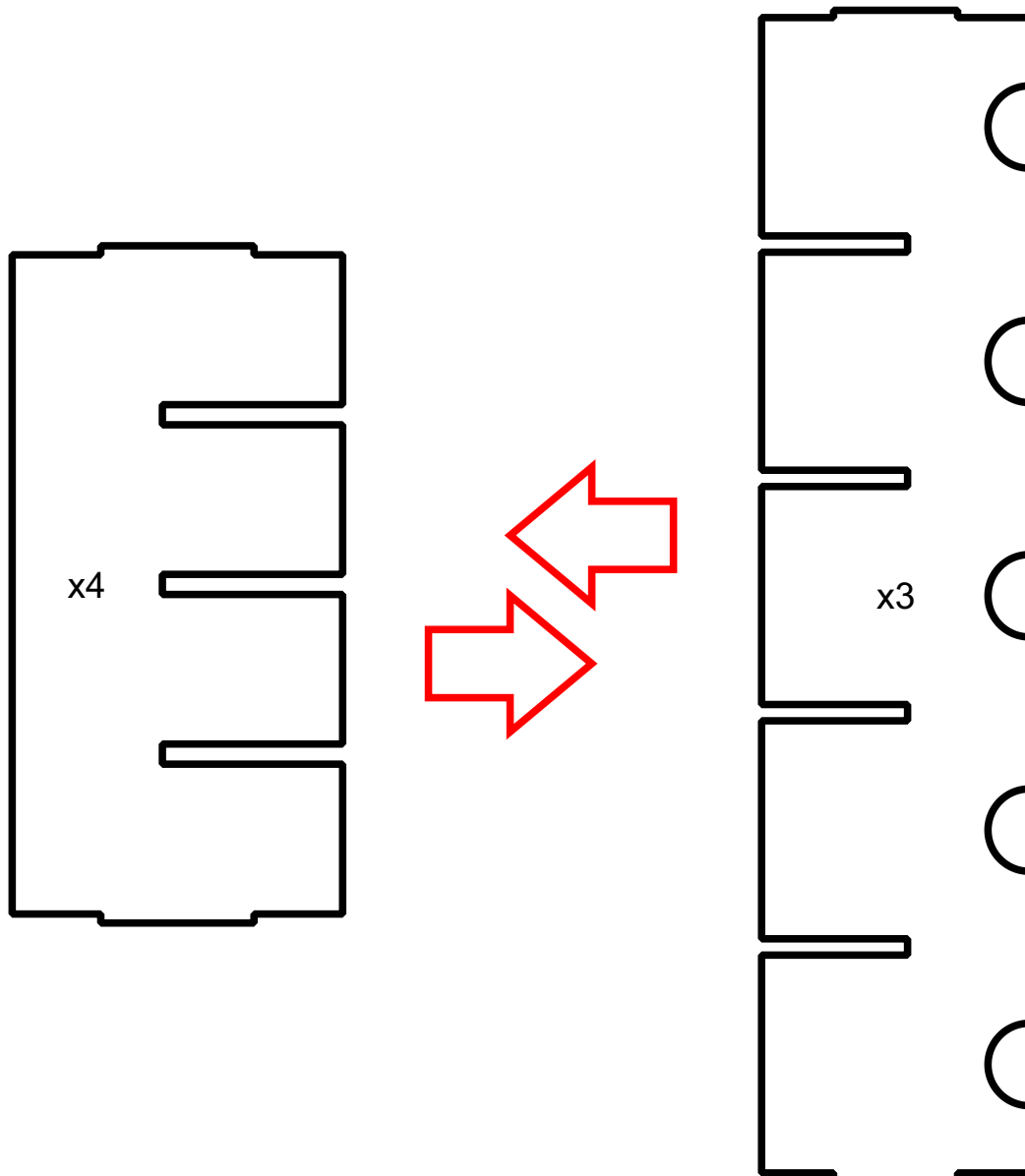


Assembly Diagram: H009 - Stampin' Up Storage

Always dry fit first then use a suitable wood adhesive

1.)

Slot in each of the shelves first making sure they connect in a grid like fashion



2.)

After your grid has been formed place it down on the back piece of the unit and begin to enclose it starting with the sides marked "A" and finally with the top and bottom pieces marked "B"

