

UL 1686 C1 Pin and Sleeve

200A, 600/250V AC/DC, 4 Pole, 5 Wire

Reversed Service Corrosion Resistant Insulgrip® Receptacle

Features

- Watertight neoprene sealing glands for reliable seal
- Pin chamber confines arcing within the interior chamber

Ordering Information

Description	UPC	Catalog Number
Watertight Insulgrip Receptacle, Reversed Service	783585161853	M5200BS1R

Device Color
Aluminum

Standards

UL Standard 1682
CSA Certified to CSA Spec. C22.2 No. 182.1
UL Listed and CSA Certified Type 4X

Specifications

Housing	Epoxy Painted Aluminum
Gaskets & Seals	Neoprene
Contact Carrier	Thermoset Polyester
Pin Spring	Beryllium Copper
Cover	Epoxy Painted Aluminum

Performance

Electrical
Current Interrupting Certified for current interrupting at full rated current

Dielectric Voltage Withstands 3,000V AC
Max. Working Voltage 600V AC RMS

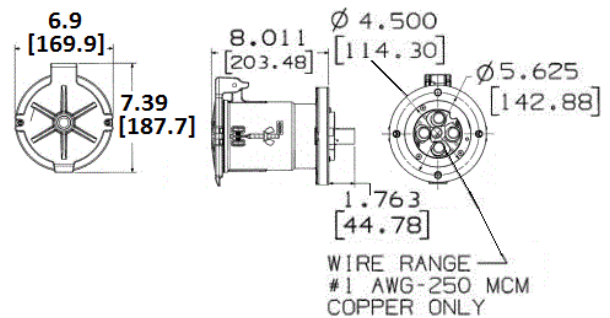
Mechanical
Impact Resistance Per CSA C22.2, No. 182.1, UL 1682
Product Identification Identification and ratings are permanently fastened to the device housing
Terminal Identification Terminals identified in accordance with UL 1686(1, 2, 3, Green)

Environmental
Flammability (Enclosure) UL 94V-0 and CSA C22.2 No. 0.17
Moisture Resistance Type 3, 4, 4X per UL 50E and CSA 22.2, No. 94
Operating Temperatures Max. Continuous 75°C; Min. -40°C w/o impact -25° with impact

Online Resources

Customer Use Drawing
eCatalog
Installation Instructions

HUBBELL



Dimensions in Inches (mm)

Hubbell Wiring Device-Kellems • Hubbell Incorporated (Delaware) • 40 Waterview Drive • Shelton, CT 06484

Phone (800) 288-6000 • Fax (800) 255-1031 • Specifications subject to change without notice.

