

Watertight Devices

Accessories

Portable Outlet Boxes and Cover Plates

Features

- Impact resistant cover plate

Ordering Information

Description	Cord Diameter	UPC	Catalog Number
Box with cord strain relief, with one blank cover plate.	.38" to .75"	783585681887	HBLPOB1L

Standards

UL 514C, UL467 and UL50 Enclosures Types 1, 3R
C22.2 No. 18 and C22.2 No. 94 Enclosures Types 1, 3R and C22.2 No. 0.4
UL listed for pendant or feed through mounting, File E92074

Specifications

Cord Connector	Nylon nut; Nylon Gotcha® ring; Neoprene grommet
Bonding Strap	Brass
Grounding Screw	Brass
Gasket	UL recognized closed-cell foam
Indoor Screws	Zinc Plated Steel

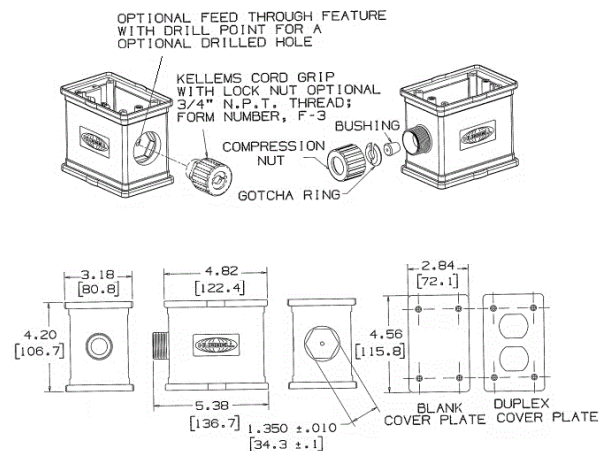
Performance

Environmental	
Flammability	UL 94V-0, 94-5VA classification
Impact and Crush Resistance	In accordance with UL 514C, UL50, C22.2 No. 18 and C22.2 No. 94.
Moisture Resistance	Wet and damp locations, Enclosure Type 3R when used with weatherproof cover plates. Dry, indoors locations, Enclosure Type 1 with all other cover plates
Operating Temperature	80°C maximum; -35°C minimum
UV Resistance	All materials are UV stabilized

Online Resources

Customer Use Drawing
eCatalog
Installation Instructions

HUBBELL



Dimensions in Inches (mm)

Hubbell Wiring Device-Kellems • Hubbell Incorporated (Delaware) • 40 Waterview Drive • Shelton, CT 06484

Phone (800) 288-6000 • Fax (800) 255-1031 • Specifications subject to change without notice.

