

Wallplates
Weatherproof Covers for Duplex Receptacles

HUBBELL

Ordering Information

Description	Catalog Number	UPC
Duplex opening, FS/FD mounting, vertical	HBL5221	783585809151

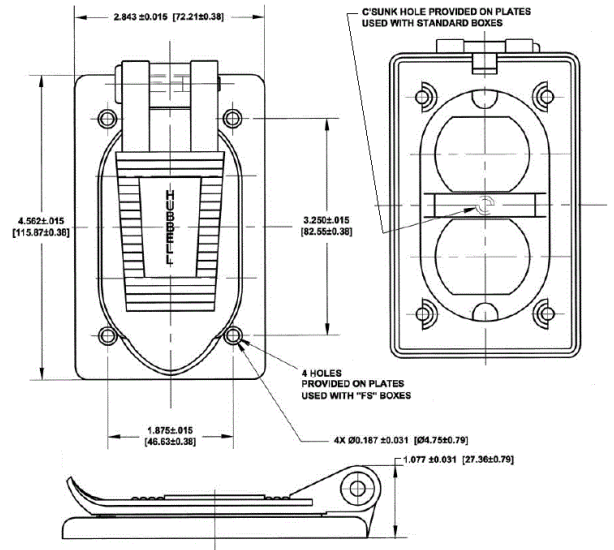


Listings

UL Listed
CSA Certified

Specifications

Material	Thermoplastic
Spring	Stainless Steel
Gasket	Neoprene



Online Resources

Customer Use Drawing
eCatalog
Installation Instructions

Dimensions in Inches (mm)

Hubbell Wiring Device-Kellems • Hubbell Incorporated (Delaware) • 40 Waterview Drive • Shelton, CT 06484

Phone (800) 288-6000 • Fax (800) 255-1031 • Specifications subject to change without notice.

