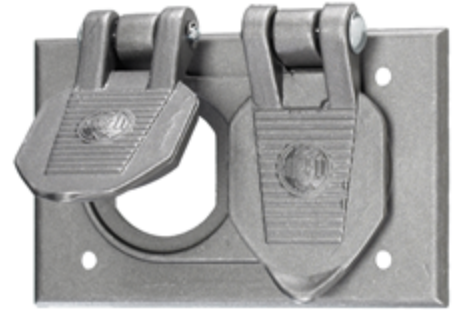


Wallplates  
 Weatherproof Covers for Duplex, GFCI,  
 Surge Receptacles and Style Line® Devices

# HUBBELL

## Ordering Information

| Description   | Catalog Number | UPC          |
|---|----------------|--------------|
| Cast aluminum, duplex opening, FS/FD mounting, horizontal | HBL5206WO      | 783585809144 |

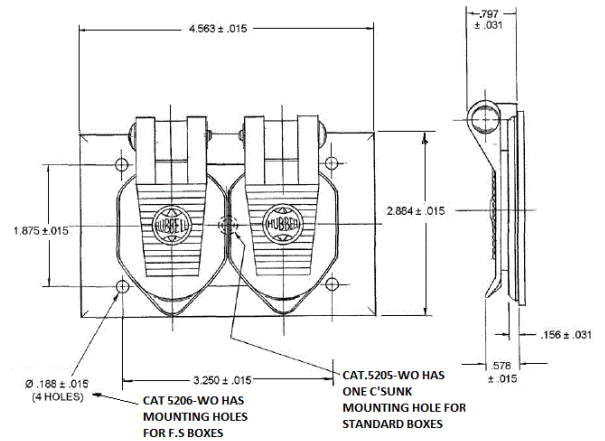


## Listings

UL Listed  
 CSA Certified

## Specifications

|           |                   |
|-----------|-------------------|
| Material  | Aluminum          |
| Spring    | Stainless Steel   |
| Hinge Pin | Zinc plated steel |
| Gasket    | Rubber            |



## Online Resources

Customer Use Drawing  
 eCatalog  
 Installation Instructions

Dimensions in Inches (mm)

Hubbell Wiring Device-Kellems • Hubbell Incorporated (Delaware) • 40 Waterview Drive • Shelton, CT 06484

Phone (800) 288-6000 • Fax (800) 255-1031 • Specifications subject to change without notice.

