

Twist-Lock® Devices
30A, 3 Phase Y 277/480V AC, 4 Pole, 5 Wire
Grounding

Watertight Safety-Shroud® Receptacle

HUBBELL

Features

- UL type 4X environmental seal while in use and when closed
- High impact, thermoplastic housing for heavy-duty industrial environments
- Alignment arrows with lock and unlock symbols provide a visual indication that devices are properly connected
- Catalog number and color coded voltage rating are visible even when in use

Ordering Information

| Description | Device Color | UPC | Catalog Number |
|-------------------------|--------------|--------------|----------------|
| PBT housing and flange. | Gray | 783585454962 | HBL2820SW |



Listings

Listed to UL 498
Fed. Spec. W-C-596
Certified to CSA C22.2 No.42
UL Listed, CSA Certified to Type 4, 4X and Type 12

Specifications

| | |
|-------------------------|-----------------------|
| Housing / Cover | Gray RPT |
| Terminal Retainer | Clear polycarbonate |
| Body Contact Carrier | Natural (white) nylon |
| Drive Screws | Steel, zinc plated |
| Contacts | Brass |
| Lift-Cover Spring & Pin | Stainless Steel |

Performance

Electrical

| | |
|----------------------|--|
| Current Interrupting | Certified for current interrupting at full rated current |
| Dielectric Voltage | Withstands 2,000V minimum |

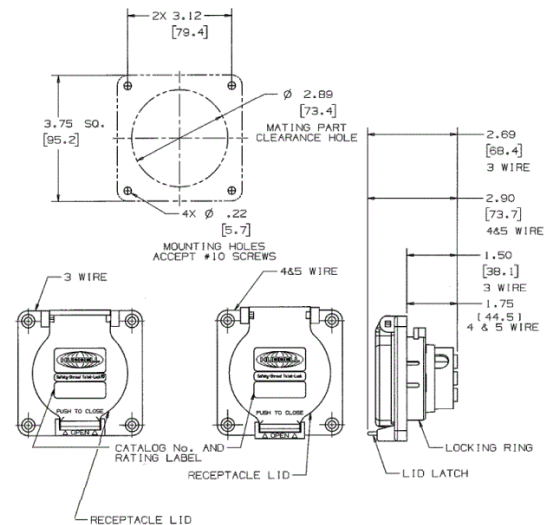
Mechanical

| | |
|------------------------|--|
| Terminal Accommodation | #16 AWG - #8 AWG solid or stranded copper wire only. |
|------------------------|--|

| | |
|-------------------------|--|
| Terminal Identification | Terminals identified in accordance with UL 498 |
|-------------------------|--|

Environmental

| | |
|------------------------|---|
| Flammability | V2 or better per UL94/CSA 22.2 No.0.17 |
| Moisture Resistance | IP20 Suitability |
| Operating Temperatures | Maximum Continuous 75°C; Minimum -40°C (w/o impact) |



Accessories

| | |
|-------------------------------|-----------|
| Watertight Safety Shroud Plug | HBL2821SW |
| Non-Metallic Backbox | BB2030N |
| 2-Gang Weatherproof Box | HBL2030AP |
| Adapter Plate | |
| Mechanical Interlock | HBLMITL |

Resources

eCatalog

Dimensions in Inches (mm)

Hubbell Wiring Device-Kellems • Hubbell Incorporated (Delaware) • 40 Waterview Drive • Shelton, CT 06484

Phone (800) 288-6000 • Fax (800) 255-1031 • Specifications subject to change without notice.

