

H-MOSS® Controls Digital Timer Wall Switch Timers

HUBBELL

Features

- Enabled preset intervals, ON / OFF momentary pushbutton switch feature
- Configurable audible alert before turning OFF
- Adjustable to up to 4 hours
- 3-Way capable
- Designed for use on 120 or 277V AC circuits



Ordering Information

Description	UPC Number	Catalog Number
User adjustable up to 4 hours, 3-Way capable Includes an ON/OFF push button	783585413020	DT2000W

Listings

cULus listed to UL 773A
Meets ASHRAE 90.1, and CEC Title 24 compliant

Specifications

Housing	Polycarbonate
Mounting Bracket	Aluminum
Wire Leads	6" 14AWG copper wire
Mounting Strap	Steel

Performance

Controls

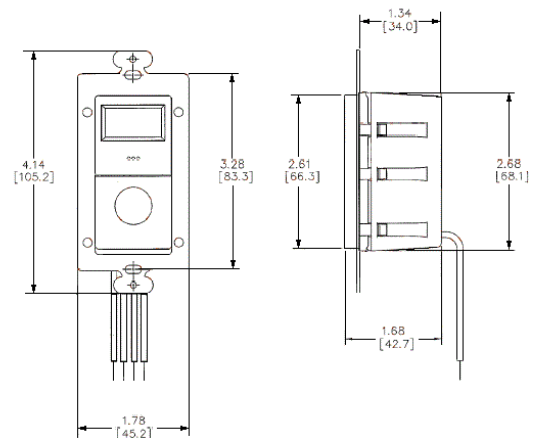
5 button selection	Preset time selection
LED Indicators	Illuminates once time is selected
OFF Switch	Manual override to OFF

Electrical

Load Capacity	120/277V AC Resistive or Inductive - 15A, Ballasts - 10A, 120V AC - 1/4 hp, 120/277V 1200W LED lamp driver
---------------	---------------------------------------------------------------------------------------------------------------

Environmental

Operating Temperature	32°F to 104°F (0°C to 40°C) with rate of change not exceeding 20°F(11°C) per hour
Storage	-40°F to 150°F (-40°C to 65°C); 20% to 90% non condensing relative humidity



Complementary Products

Nylon Wallplate	NP26W
SS Wallplate	SS26
Snap-On Wallplate	RCW1W

Online Resources

Customer Use Drawing
eCatalog
Installation Instructions

Dimensions in Inches (mm)

Hubbell Wiring Device-Kellems • Hubbell Incorporated (Delaware) • 40 Waterview Drive • Shelton, CT 06484

Phone (800) 288-6000 • Fax (800) 255-1031 • Specifications subject to change without notice.

