

Switches, Low Voltage

5A, 24VDC

Style Line[®] Specification Grade

HUBBELL

Features

- Maintained Contact
- Thread cleaning captive mounting screw
- Automatic self-grounding stainless steel staple

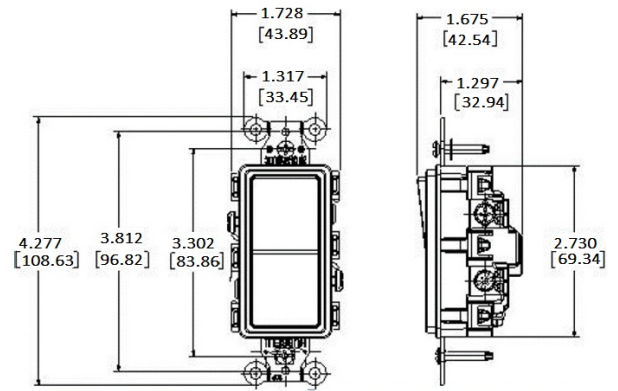
Ordering Information

Description	Device Color	UPC Number	Catalog Number
Rocker, back and side wired	Gray	783585565378	DS320GYLV



Specifications

Front	Thermoplastic
Base	Thermoplastic
Contacts	Silver Alloy
Terminal Screws	Brass
Mounting Bridge	Steel, Zinc Plated



Performance

Electrical

Configuration	3-Way
Operating Current	Maximum of 5A @ 24VDC

Mechanical

Terminal Accomodations	#14 AWG min. - #10 AWG max. solid or stranded copper wire only
------------------------	--

Environmental

Operating Temperature	Max. continuous: 75°C; Min. continuous: -40°C without impact
-----------------------	--

Complementary Products

Wallplate, Decorator Opening	NP26GY
Wallplate, Decorator Opening, Stainless Steel	SS26

Online Resources

eCatalog

Dimensions in Inches (mm)

Hubbell Wiring Device-Kellems • Hubbell Incorporated (Delaware) • 40 Waterview Drive • Shelton, CT 06484

Phone (800) 288-6000 • Fax (800) 255-1031 • Specifications subject to change without notice.

