

No Wires & Batteries Required

DESCRIPTION

Wireless Kinetic Door Sensor that employs micro-energy acquisition technology to provide battery-free installation

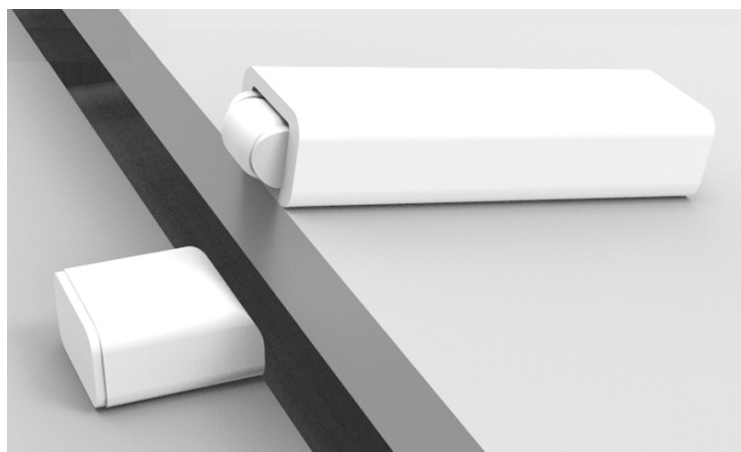
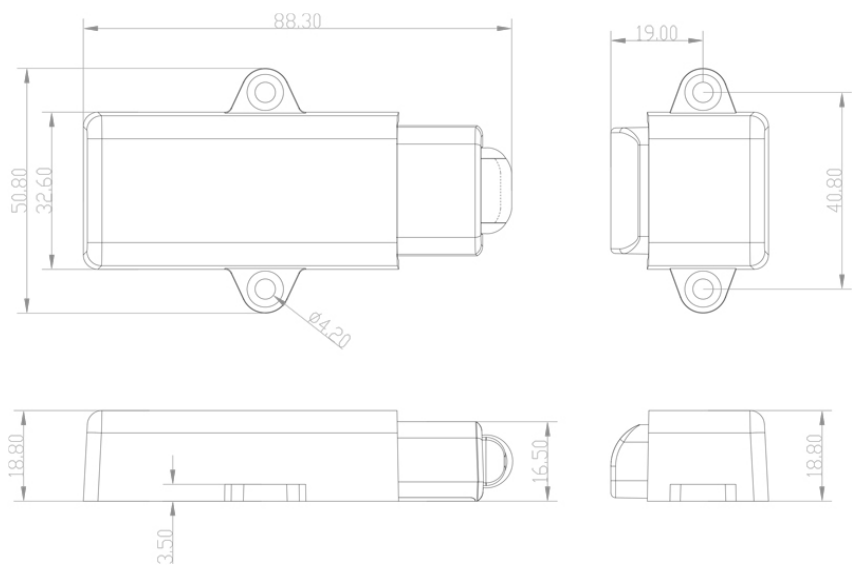
FEATURES & BENEFITS

Use as protective audible alarm on doors and windows
Works with the Lotus Doorbell Receiver
Pair multiple units together

INSTALLATION

Stick to door or window by the included 3M double double adhesive stickers, or screw the brackets and slide in

DIMENSIONS



ORDERING GUIDE

Door Sensor

LBL-KDS



Plug-in Receiver

LBL-KDB-R1



Please note that Sensor and Receiver should be ordered together. Sensor does not work without the receiver. Multiple units of each could be paired.

Project:

Location:

Qty:

Notes:

SPECIFICATION

SPECIFICATION	
Applications	Home Security, Elderly Care, Energy Management
Power mode	Kinetic Self-Powered
Frequency	433 MHz
Operating Temperature	Receiver: -15°C to + 45°C (5°F to 113°F)
Operation Range	100 feet indoor / 160 feet outdoor
Pairing Capacity	up to 100 receivers to 1 sensor
	up to 10 sensors to 1 receiver
Approved Location	Indoor
Life	100,000 pressings
Certifications	FCC
Warranty	2 Year



[Door Sensor Manual](#)

Pairing to the Doorbell Receiver:

1. With the door sensor mounted and door or window closed, press the ringtone selection key for 3 seconds and release when the indicator light starts blinking. Make sure the door sensor is engaged.
2. Open the door or window to release the door sensor. The indicator light on the receiver will turn off and pairing is complete. Chime will sound when the sensor is released (opening the door)
3. In case you want the chime to sound when the sensor is pressed (door is closing), pair the sensor to receiver while sensor is not engaged.
4. You can pair the door sensor both ways and sound will chime when door is opened and closed.

Silent Mode (no sound, only light blinking):

To activate Silent Mode, press the Ringtone Selection Key for 8 seconds and release when the indicator light stops blinking and is constantly on

To deactivate Silent Mode: repeat the above steps

Deleting Pair:

The pairing will be deleted by pressing the Ringtone Selection Key for 10 seconds until the indicator light stops blinking and is constantly on