

DL254-8-35W-M-A5C5-HO

8" Round Commercial 5 CCT & 5 Wattage Selectable

Project: _____

Location: _____

Qty: _____

Notes: _____

DESCRIPTION

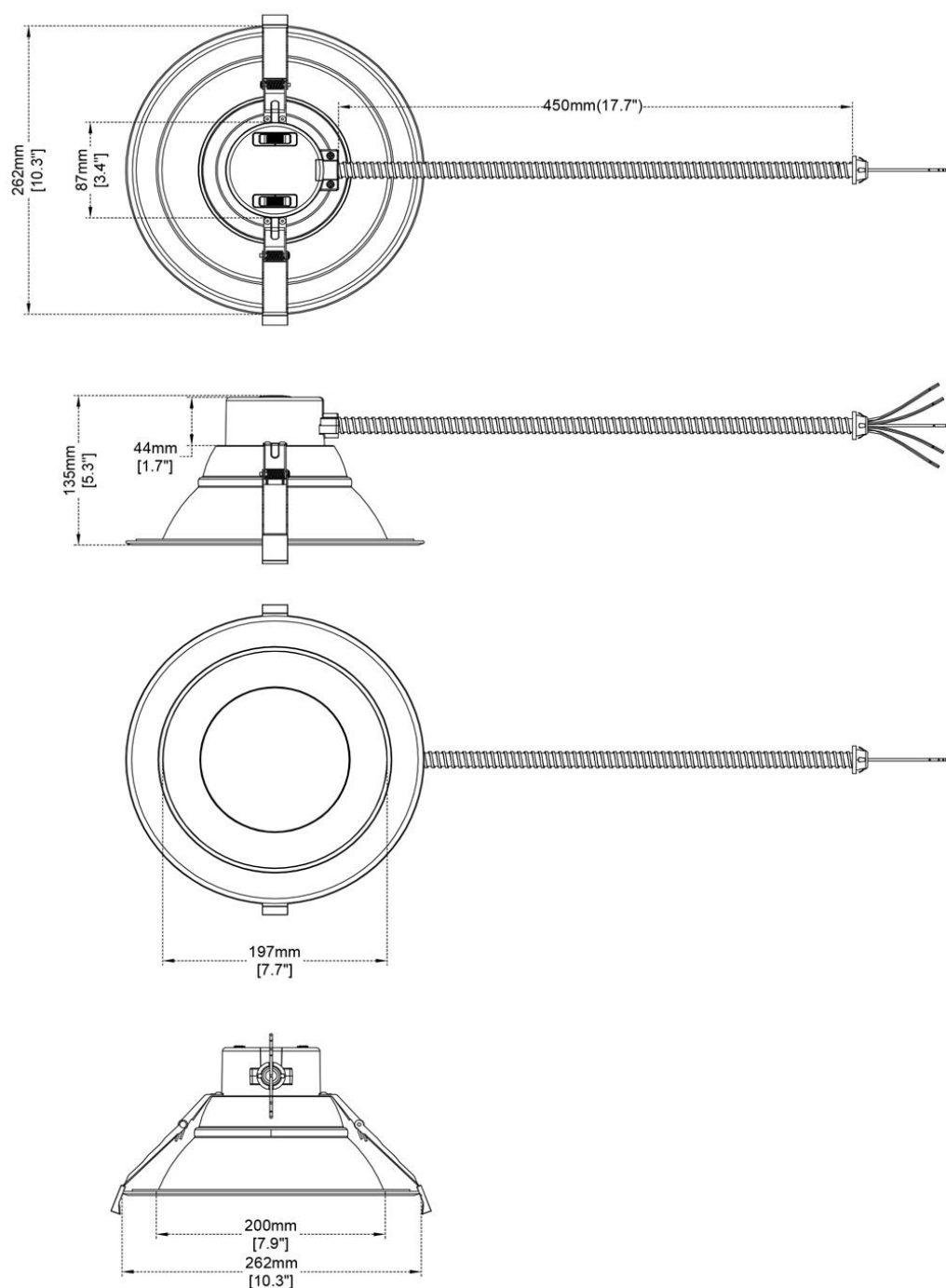
All in one 0-10 V dimmable 8" LED downlight for retrofit & new construction. Perfect for hospitality, healthcare, shopping mall & retail, office, exterior soffit, etc.

FEATURES & BENEFITS

- Universal voltage 120-347 V
- 0-10 V Dimmable 5%-100%
- 5 CCT selectable 2700 - 3000 - 3500 - 4000 - 5000 K
- 5 Wattage Adjustable 16 - 22 - 26 - 30 - 35 W
- Type IC, Wet location & Air-tight
- Regressed optics with low glare

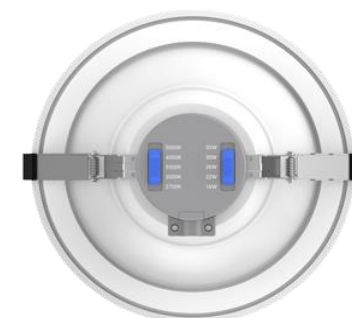
DIMENSIONS

ID 8" OD 10 1/4" Depth 5 1/4" Regressed 2"
Cut Out 8" to 9" Ceiling Space needed 5 1/4"



SPECIFICATION	
Applications	Commercial Recessed Ceiling
Power Levels (W)	CCT / W 16 22 26 30 35
Light Output (lm)	2700K 1760 2410 2830 3180 3550
	3000K 1800 2480 2920 3290 3690
	3500K 1880 2610 3080 3480 3910
	4000K 1930 2660 3130 3530 3970
	5000K 1990 2710 3190 3570 4010
Color Temperature (K)	5CCT user selectable: 2700-3000-3500-4000-5000 K
Beam Angle	90°
CRI	80
Input	120V-347V AC 50/60 Hz
Dimming	0 - 10V
Approved Location	Insulated Ceiling & Wet Locations
Air Tight	Yes
Ambient Temperature	-4°F (-20°C) to +104°F (+40°C)
Projected Life	70% Light Output at 50,000 Hours
Certification	cETLus
Warranty	5 Year

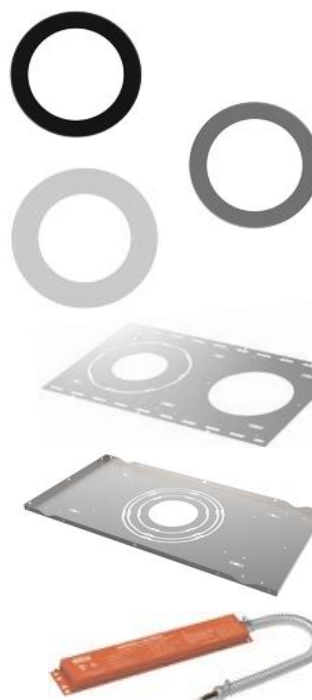
Trim Option - Matte White in stock, other trims available by custom order



ACCESSORIES

Sold Separately

Please note that junction box is not included



Black trim cover model # **LBL-8CRT-B**

Silver trim cover model # **LBL-8CRT-S**

Goof Ring White OD 12 1/2" model # **LBL-8CGR-W**

New Construction Mounting Plate for Stud Ceiling
model # **LBL-MP-C4-8-STUD**

New Construction Mounting Plate for T-bar Ceiling
model # **LBL-MP-C4-10-TBAR**

Emergency Driver 8W 120-347V input
model # **BLD-HM08D-YYY**

COMPLIANCE



Type IC & Air-Tight
Wet Location

ORDERING GUIDE DL254-8-35W-M-A5C5-HO

Lotus LED Lights USA
250 H Street # 301, Blaine WA 98230 tel 360-200-5500
Hainesport NJ, Naples FL, Vancouver WA

www.LotusLEDLights.com

mailing addresses
warehouses

Lotus LED Lights CANADA
1080 Cliveden Ave # 6, Delta BC V3M 6G6 tel 604-538-3090
Delta BC & Mississauga ON