

## Adjustable IN/OUT BOX™ for Ceiling Fixtures

Non-metallic. Preset for 1/2" ceiling, adjusts up to 1-1/2" to accommodate varying ceiling thicknesses, like single or double drywall.

CATALOG NUMBER	UPC/DCI/NAED MFG #018997	DESCRIPTION / STYLE	UNIT PKG	STD PKG	DIM A	DIM B	DIM C	DIM D
FA426	40040	For 1/2" or 1-1/2" drywall 20.5 cu. in.	25	25	3.520	4.800	4.381	4.000
FA426GC*	40041	For 1/2" or 1-1/2" drywall 20.5 cu. in.	25	25	3.520	4.800	4.381	4.000



PATENTED.

E170558

MADE IN USA.

\*Includes ground clip for ordering in Canada. Note: Complies with 2020 NEC, 314.20 for set back boxes.

### FEATURES AND BENEFITS

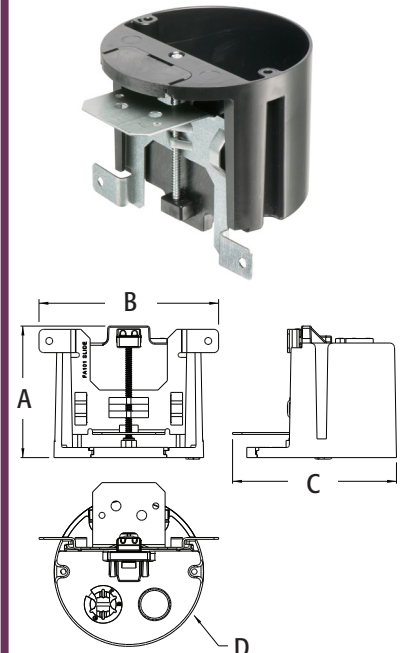
- Listed for fixture support up to 50 lbs
- Always accessible depth adjustment screw allows depth adjustment before or after ceiling is in place
- Mounts securely to joist in new construction
- 2 hour fire rating



Set-back in double drywall



Flush with ceiling



Scan For Video

