

# SPECIFICATION

**NEXLEDS**<sup>®</sup>  
NEXLEDS LTD



**Sensor**



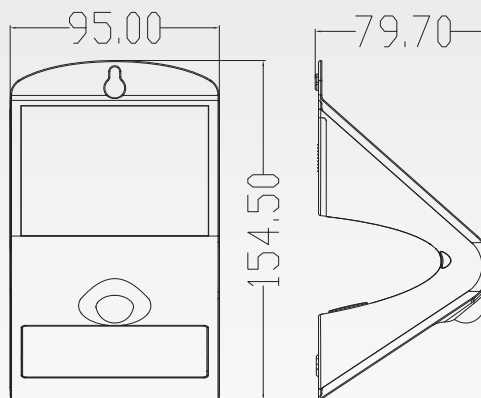
**Solar LED Downwash Light**

**NX-410S-2W-N**

## Specification:

Product Model	NX - 410 - 1.5W
Power	1.5W
Solar Panel	1.0Wp, polished. Mono-crystalline silicone
Charging Time	5-6Hrs/Day
LED Type	SMD 2835*14pcs Front 12pcs + Back 2pcs
Surface Color	Black
IP Class	IP65 Directional
Housing Material	ABS+PC, Anti-UV
Overall Dimension	154.5*95.0*97.7 mm
Lumen	260lm
Battery	1200mAH/3.7V. Lithium battery
Working Time	3 different lighting modes
PIR sensing Range	Detection angle: 120°.Detection area: 2-6m
Beam angle	120°*60°
Humidity	5%~95% R.H.

## Dimension:



## Feature:

1. Exclusive patented product, global patent protected.
2. Unique Curved Appearance with compact structure, fashion & modern type, durable for long time use.
3. Battery can easily replaced, worry-free to use long time.
4. Adopt special polished mono-crystalline silicon solar panel, 18% transparency, fast light absorption, 20 years lifespan.
5. Lithium battery, big capacity 1200mAH, 3.7V, 500 charge-discharge cycles, ensure long lifespan.
6. LM-80 passed SMD LEDs, highly bright, long-lasting light maintenance.
7. ABS+PC materials, anti-UV, anti-water, anti-oil, fire-proof, delicate and upscale for your decoration.
8. Professional optical design of lens, enhance light efficiency, anti-glare, healthy and comfortable light.
9. Intelligent PIR sensor, wide detection angle and area, light up smartly when you need light.
10. IP65 directional waterproof, safe to use outdoor.



## SPECIFICATION

# NEXLEDS®

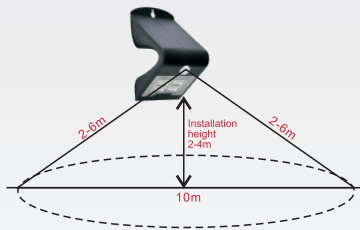
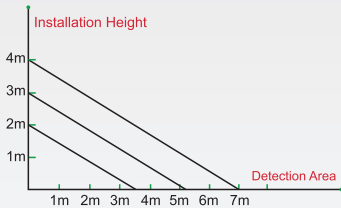
NEXLEDS LTD

## Installation:

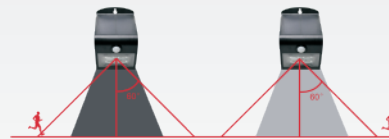


1. Please use the card to measure hole position correctly and drill 2 holes.
2. Fix 2 expansion plugs into the holes.
3. Fix a screw to the lower expansion plug with a spare space, insert the notch onto the screw.
4. Straighten the whole lamp and fasten the upper screw.
5. Press the back button to switch on lamp, adjust to the demanded working mode.

## Working Modes:



**Mode A:** Automatically turns on at the dusk ( $<30\text{ lux}$ ) and remains 20% bright, up to 5 hours after which it turns off.



**Mode B:** Automatically turns on to full brightness (260lm) when motion is detected in the range 2-6 mtrs and then turns to 3% brightness in 20 seconds of no motion.



**Mode C:** Automatically turns on to full brightness (260lm) when motion is detected in the range 2-6 mtrs and then turns off in 30 seconds of no motion.

Pls press the Button to adjust to different working mode:  
Press 1st time for Mode A.  
Press 2nd time for Mode B.  
Press 3rd time for Mode C.  
Press 4th time for off.

## Applications:

All the area inconvenient in electricity but full of sunlight such as Balcony, Windows, Gate, Wall, Porch, Passage, Alley, Pavilions, Buildings, Block, Outdoor garden decoration, Country lane, Swimming Pool, School, Park etc.



## Remark:

1. Please follow the installation instruction to operate correctly.
2. This is a solar powered lamp, please install it in a location where can get enough sunshine.
3. Lamp need to be installed 2-4Mtr from the ground.
4. The lamp will light up when the environmental brightness is less than 30lux.
5. Inside battery is replaceable.
6. Please kindly note the lighting time depends on sunshine duration and weather.
7. Please recycle the used batteries for environment protection.



www.nexleds.ca



Email: sales@nexleds.ca

# NEXLEDS®

NEXLEDS LTD