



MARCUS

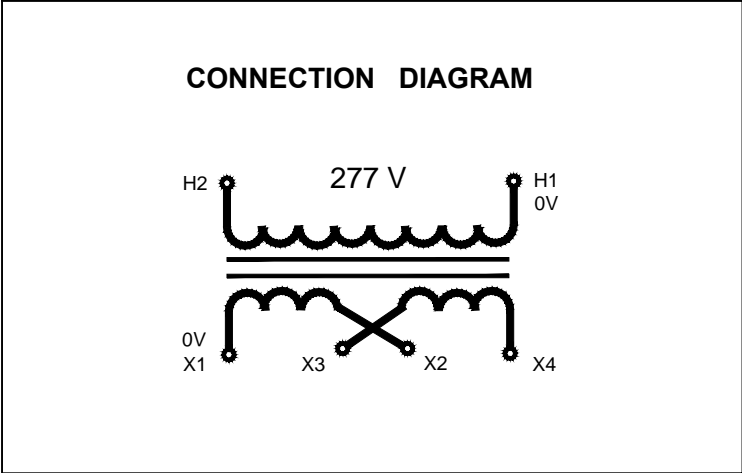
Marcus Transformer LTD
 Phone: 1-800-267-7376
 Fax: 1-866-205-7526
 Email: Info@marcustransformer.com

TECHNICAL DATA

SINGLE PHASE CONTROL TRANSFORMER

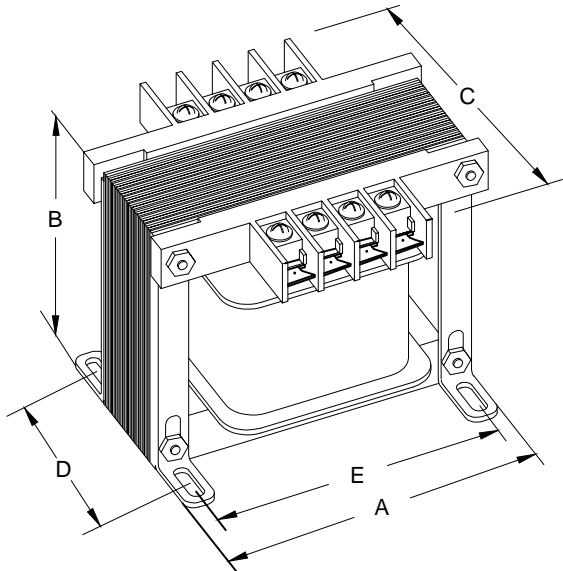
DESCRIPTION

MODEL	MTB750J
Type	Open
VA	750
Primary (Volts)	277
Secondary (Volts)	120 / 240
Input /Output Amps	2.71 / 6.25 , 3.13
Temperature Rise	80°C
Insulation Class	B (130°C)
Frequency	60Hz
Polarity	additive
Noise level	less than 40DB
Winding	Copper
Approvals	CE compliant UL listed CSA approved



WIRING CONNECTION

PRIMARY :		
VOLTS 277	CONNECT LINES TO : H1-H2	
SECONDARY :		
VOLTS 120 240 120/240	INTERCONNECT: X1-X3 AND X2-X4 X2-X3 X2-X3	CONNECT LINES TO : X1-X4 X1-X4 X1-X3-X4



DIMENSIONS INCHES / MM

VA	A	B	C	D	E	MOUNTING HOLES INCHES / MM	SHIP WEIGHT LBS / KG
750	5.25 133.4	4.38 111.3	5.75 146.0	4.12 104.6	4.38 111.3	0.28 x 0.560 7.1 x 14.2	19.0 8.7

Notes: