

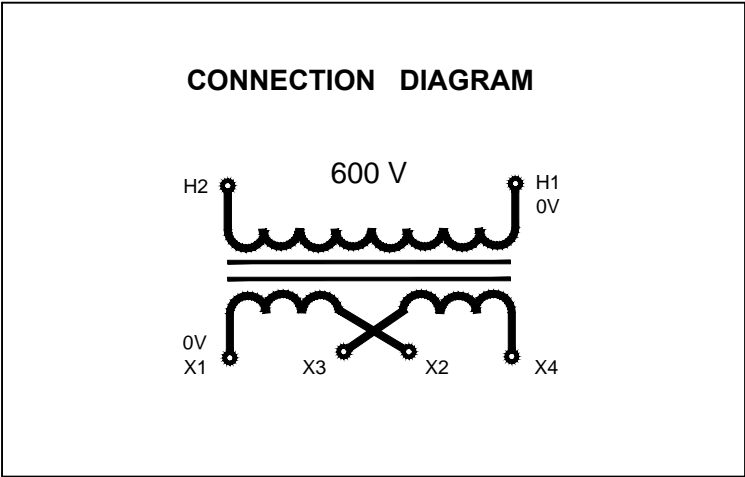


MARCUS

Marcus Transformer LTD
 Phone: 1-800-267-7376
 Fax: 1-866-205-7526
 Email: Info@marcustransformer.com

TECHNICAL DATA SINGLE PHASE CONTROL TRANSFORMER

| DESCRIPTION | |
|--------------------|---|
| MODEL | MTB500I |
| Type | Open |
| VA | 500 |
| Primary (Volts) | 600 |
| Secondary (Volts) | 12 / 24 |
| Input /Output Amps | 0.83 / 41.67 , 20.83 |
| Temperature Rise | 80°C |
| Insulation Class | B (130°C) |
| Frequency | 60Hz |
| Polarity | additive |
| Noise level | less than 40DB |
| Winding | Copper |
| Approvals | CE compliant UL listed CSA approved |

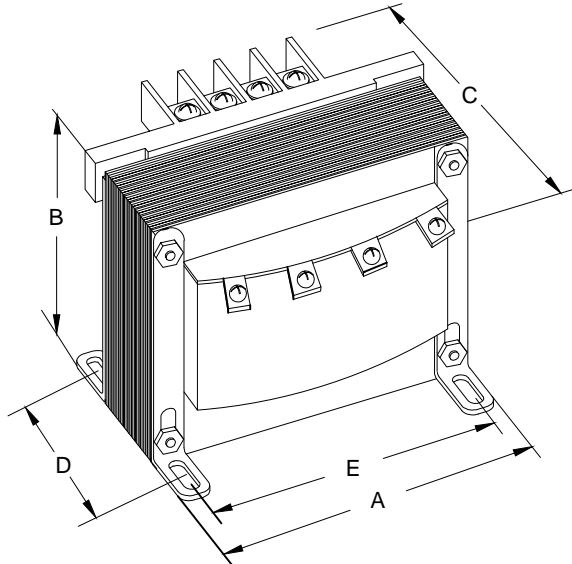


WIRING CONNECTION

| PRIMARY : | | |
|-------------|--------------------|--------------------|
| VOLTS | CONNECT LINES TO : | |
| 600 | H1-H2 | |
| SECONDARY : | | |
| VOLTS | INTERCONNECT: | CONNECT LINES TO : |
| 12 | X1-X3 AND X2-X4 | X1-X4 |
| 24 | X2-X3 | X1-X4 |
| 12/24 | X2-X3 | X1-X3-X4 |

DIMENSIONS INCHES / MM

| VA | A | B | C | D | E | MOUNTING HOLES INCHES / MM | SHIP WEIGHT LBS / KG |
|-----|---------------|---------------|---------------|--------------|---------------|----------------------------|----------------------|
| 500 | 5.25 133.4 | 4.38 111.3 | 4.75 120.7 | 3.12 79.2 | 4.38 111.3 | 0.28 x 0.560 7.1 x 14.2 | 12.5 5.7 |



Notes: