



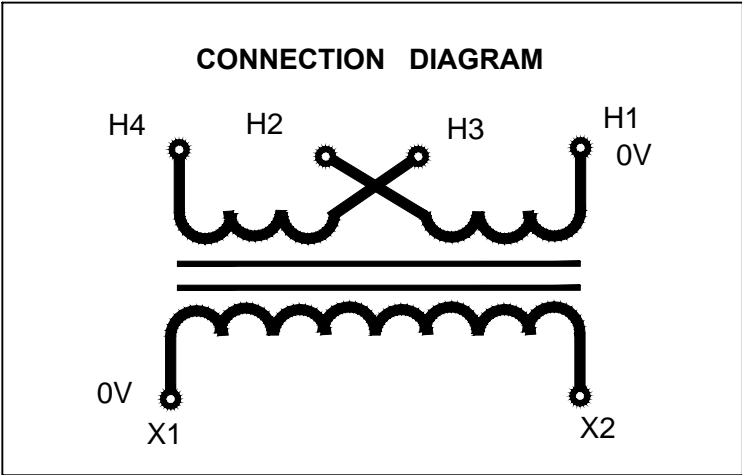
MARCUS

Marcus Transformer LTD
 Phone: 1-800-267-7376
 Fax: 1-866-205-7526
 Email: Info@marcustransformer.com

TECHNICAL DATA

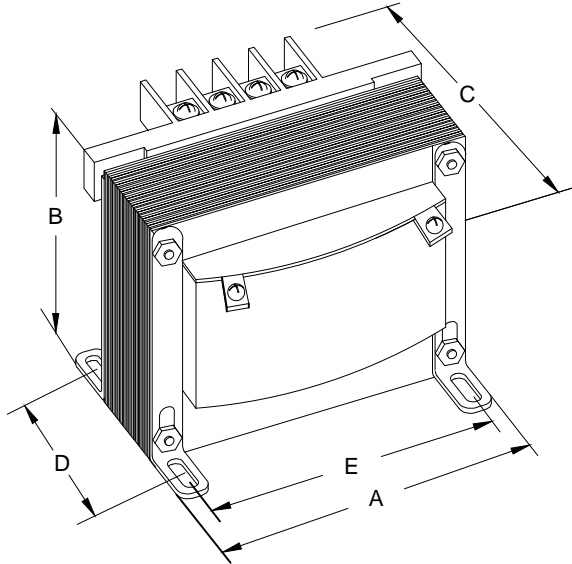
SINGLE PHASE CONTROL TRANSFORMER

DESCRIPTION	
MODEL	MTB1KD
Type	Open
VA	1000
Primary (Volts)	208 / 416
Secondary (Volts)	12
Input /Output Amps	4.81, 2.40 / 83.33
Temperature Rise	80°C
Insulation Class	B (130°C)
Frequency	60Hz
Polarity	additive
Noise level	less than 40DB
Winding	Copper
Approvals	CE compliant UL listed CSA approved



WIRING CONNECTION

PRIMARY :		
VOLTS	INTERCONNECT:	CONNECT LINES TO :
208	H1-H3 AND H2-H4	H1-H4
416	H2-H3	H1-H4
SECONDARY :		
VOLTS	CONNECT LINES TO :	
12	X1-X2	



DIMENSIONS INCHES / MM

VA	A	B	C	D	E	MOUNTING HOLES INCHES / MM	SHIP WEIGHT LBS / KG
1000	5.25 133.4	4.38 111.3	6.75 171.5	5.12 130.0	4.38 111.3	0.28 x 0.560 7.1 x 14.2	25.0 11.4

Notes: