



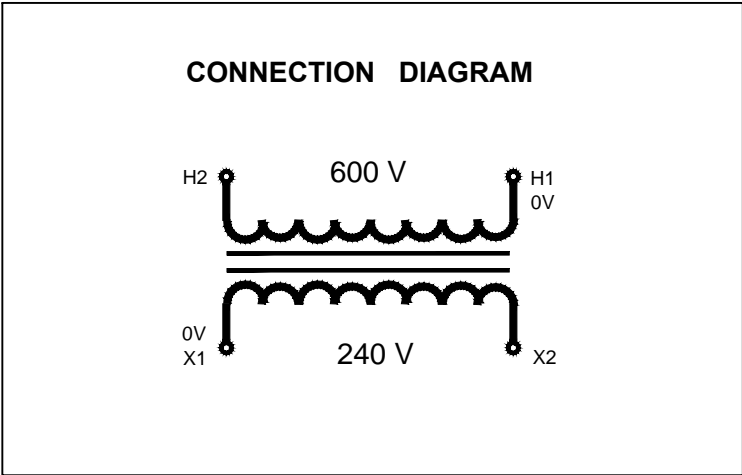
MARCUS

Marcus Transformer LTD
 Phone: 1-800-267-7376
 Fax: 1-866-205-7526
 Email: Info@marcustransformer.com

TECHNICAL DATA

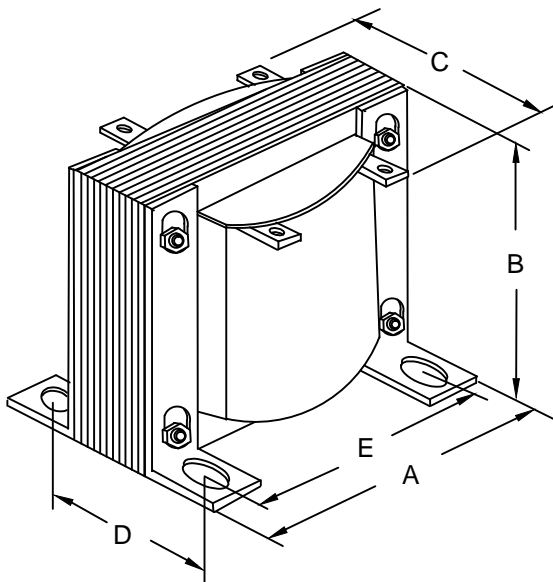
SINGLE PHASE CONTROL TRANSFORMER

DESCRIPTION	
MODEL	MO25W
Type	Open
VA	25
Primary (Volts)	600
Secondary (Volts)	240
Input /Output Amps	0.04 / 0.10
Temperature Rise	80°C
Insulation Class	B (130°C)
Frequency	60Hz
Polarity	additive
Noise level	less than 40DB
Winding	Copper
Approvals	CE compliant UL listed CSA approved



WIRING CONNECTION

PRIMARY :	
VOLTS 600	CONNECT LINES TO : H1-H2
SECONDARY :	
VOLTS 240	CONNECT LINES TO : X1-X2



DIMENSIONS INCHES / MM

VA	A	B	C	D	E	MOUNTING HOLES INCHES / MM	SHIP WEIGHT LBS / KG
25	3.00 76.2	2.50 63.5	2.77 70.4	1.98 50.3	2.50 63.5	0.21 x 0.625 5.3 x 15.9	1.25 0.6

Notes: