



MARCUS

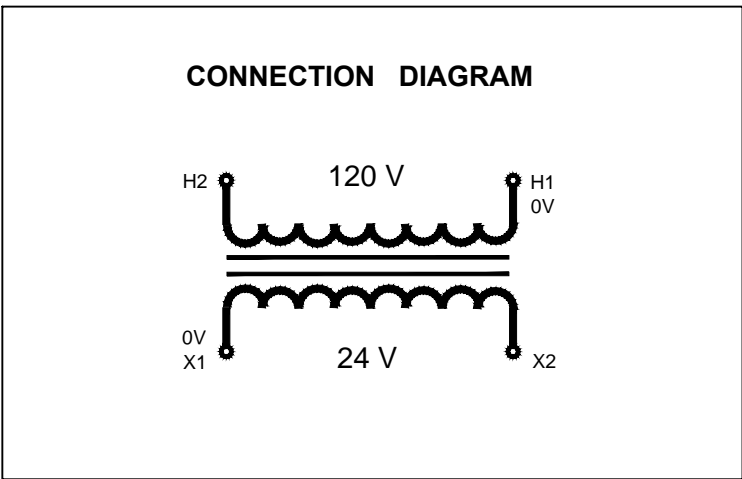
Marcus Transformer LTD
 Phone: 1-800-267-7376
 Fax: 1-866-205-7526
 Email: Info@marcustransformer.com

TECHNICAL DATA

SINGLE PHASE CONTROL TRANSFORMER

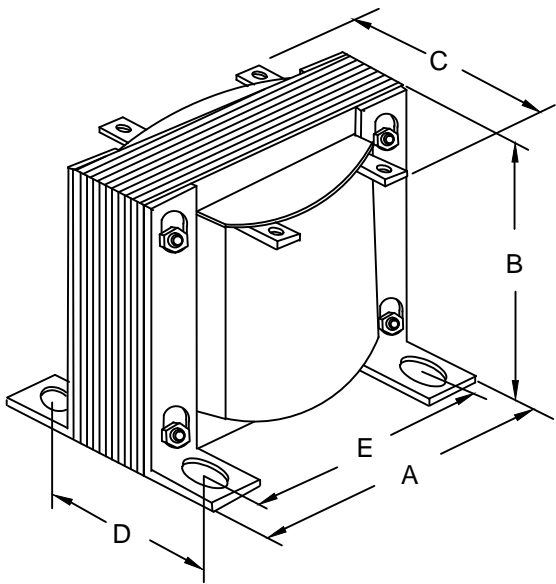
DESCRIPTION

| | |
|--------------------|---|
| MODEL | MO100N |
| Type | Open |
| VA | 100 |
| Primary (Volts) | 120 |
| Secondary (Volts) | 24 |
| Input /Output Amps | 0.83 / 4.17 |
| Temperature Rise | 80°C |
| Insulation Class | B (130°C) |
| Frequency | 60Hz |
| Polarity | additive |
| Noise level | less than 40DB |
| Winding | Copper |
| Approvals | CE compliant UL listed CSA approved |



WIRING CONNECTION

| | |
|--------------|-----------------------------|
| PRIMARY : | |
| VOLTS 120 | CONNECT LINES TO : H1-H2 |
| SECONDARY : | |
| VOLTS 24 | CONNECT LINES TO : X1-X2 |



DIMENSIONS INCHES / MM

| VA | A | B | C | D | E | MOUNTING HOLES INCHES / MM | SHIP WEIGHT LBS / KG |
|-----|--------------|--------------|--------------|--------------|--------------|----------------------------|----------------------|
| 100 | 3.00 76.2 | 2.50 63.5 | 3.27 83.1 | 2.50 63.5 | 2.50 63.5 | 0.21 x 0.625 5.3 x 15.9 | 2.75 1.3 |

Notes: