

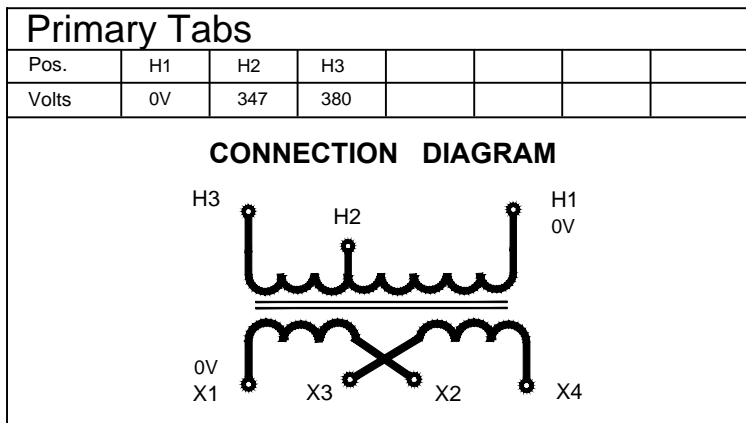


# MARCUS

Marcus Transformer LTD  
 Phone: 1-800-267-7376  
 Fax: 1-866-205-7526  
 Email: Info@marcustransformer.com

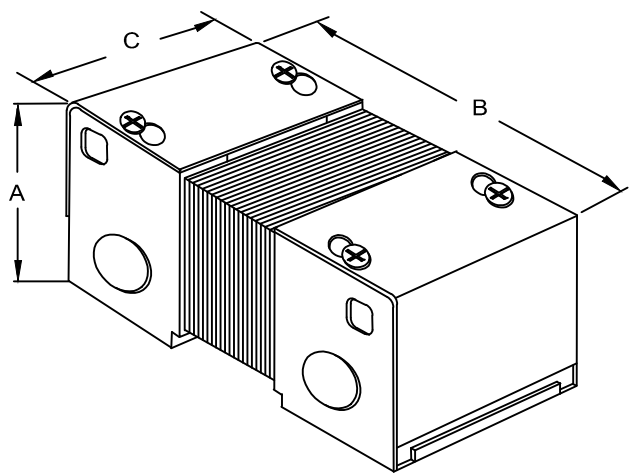
## TECHNICAL DATA SINGLE PHASE CONTROL TRANSFORMER

DESCRIPTION	
MODEL	MC750Y
Type	Enclosed, Indoor application
VA	750
Primary (Volts)	347 / 380
Secondary (Volts)	12 / 24
Input / Output Amps	2.16 , 1.97 / 62.5 , 31.25
Temperature Rise	95°C
Insulation Class	B (130°C)
Frequency	50 / 60Hz
Polarity	additive
Noise level	less than 40DB
Winding	Copper
Approvals	UL listed CSA approved

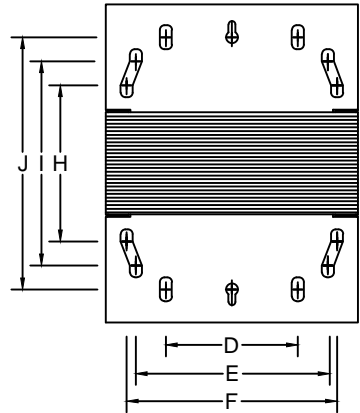
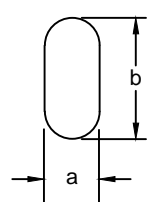


**WIRING CONNECTION**

PRIMARY :		
VOLTS	CONNECT LINES TO :	
347	H1-H2	
380	H1-H3	
SECONDARY :		
VOLTS	INTERCONNECT:	CONNECT LINES TO :
12	X1-X3 AND X2-X4	X1-X4
24	X2-X3	X1-X4



LETTER	MOUNTING SLOTS INCHES / MM
V	0.30 x 0.560 7.6 x 14.2



### DIMENSIONS INCHES / MM

VA	A	B	C	D	E	F	G	H	I	J	K	L	M	SHIP WEIGHT LBS / KG
750	4.70 119.4	7.63 193.8	5.25 133.4	2.75 69.9	4.00 101.6	4.38 111.3		4.25(V) 108.0	5.25(V) 133.4	6.25(V) 158.8				21.00 9.6