



MARCUS

Marcus Transformer LTD
 Phone: 1-800-267-7376
 Fax: 1-866-205-7526
 Email: Info@marcustransformer.com

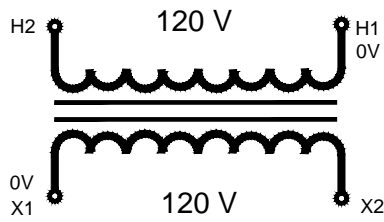
TECHNICAL DATA

SINGLE PHASE CONTROL TRANSFORMER

DESCRIPTION

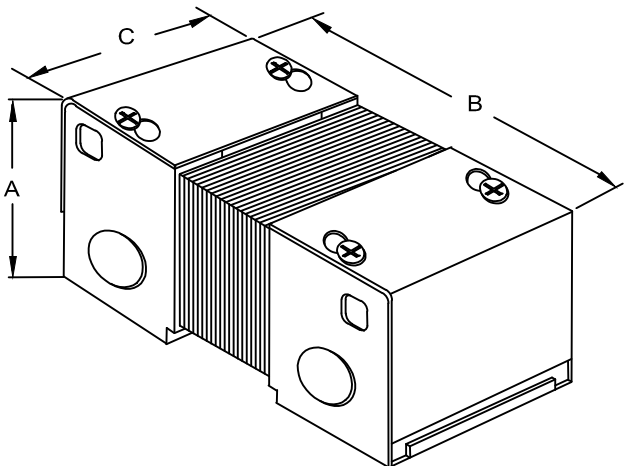
MODEL	MC750A
Type	Enclosed, Indoor application
VA	750
Primary (Volts)	120
Secondary (Volts)	120
Input /Output Amps	6.25 / 6.25
Temperature Rise	95°C
Insulation Class	B (130°C)
Frequency	60Hz
Polarity	additive
Noise level	less than 40DB
Winding	Copper
Approvals	UL listed CSA approved

CONNECTION DIAGRAM

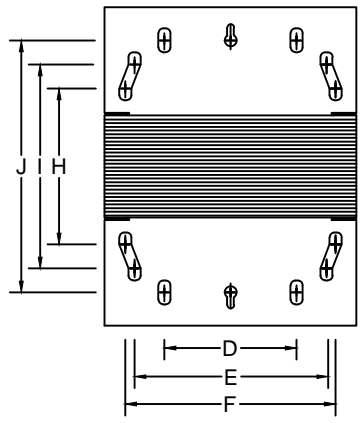
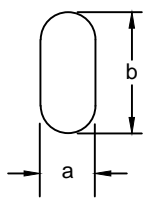


WIRING CONNECTION

PRIMARY :	
VOLTS 120	CONNECT LINES TO : H1-H2
SECONDARY :	
VOLTS 120	CONNECT LINES TO : X1-X2



LETTER	MOUNTING SLOTS INCHES / MM
V	0.30 x 0.560 7.6 x 14.2



DIMENSIONS INCHES / MM

VA	A	B	C	D	E	F	G	H	I	J	K	L	M	SHIP WEIGHT LBS / KG
750	4.70 119.4	7.63 193.8	5.25 133.4	2.75 69.9	4.00 101.6	4.38 111.3		4.25(V) 108.0	5.25(V) 133.4	6.25(V) 158.8				21.00 9.6