



# MARCUS

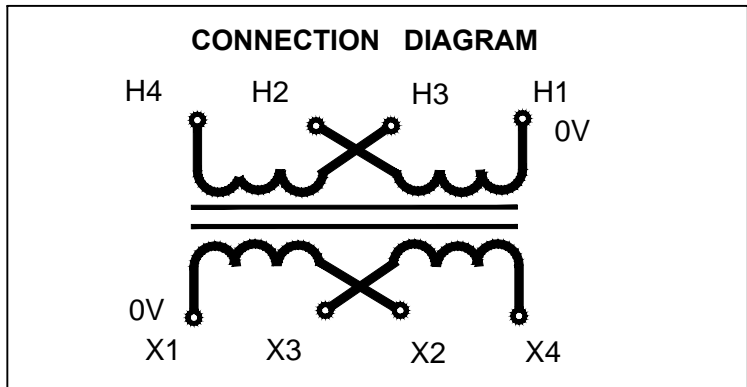
Marcus Transformer LTD  
 Phone: 1-800-267-7376  
 Fax: 1-866-205-7526  
 Email: Info@marcustransformer.com

## TECHNICAL DATA

SINGLE PHASE CONTROL TRANSFORMER

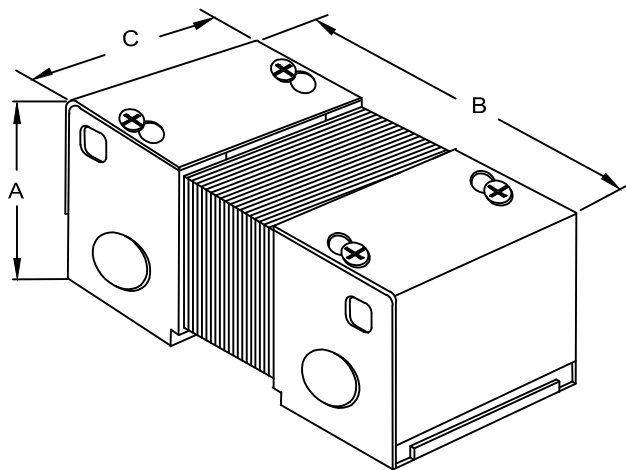
### DESCRIPTION

MODEL	MC350M
Type	Enclosed, Indoor application
VA	350
Primary (Volts)	240 / 480
Secondary (Volts)	120 / 240
Input / Output Amps	1.46 , 0.73 / 2.92 , 1.46
Temperature Rise	95°C
Insulation Class	B (130°C)
Frequency	60Hz
Polarity	additive
Noise level	less than 40DB
Winding	Copper
Approvals	UL listed CSA approved

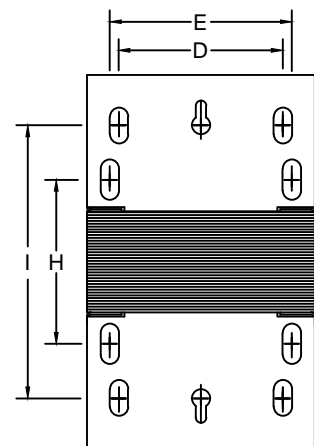
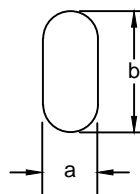


### WIRING CONNECTION

PRIMARY :		
VOLTS	INTERCONNECT:	CONNECT LINES TO :
240	H1-H3 AND H2-H4	H1-H4
480	H2-H3	H1-H4
SECONDARY :		
VOLTS	INTERCONNECT:	CONNECT LINES TO :
120	X1-X3 AND X2-X4	X1-X4
240	X2-X3	X1-X4



LETTER	MOUNTING SLOTS INCHES / MM
	a b
U	0.25 x 0.875 6.4 x 22.2
T	0.25 x 0.625 6.4 x 15.9



### DIMENSIONS INCHES / MM

VA	A	B	C	D	E	F	G	H	I	J	K	L	M	SHIP WEIGHT LBS / KG
350	4.07 103.4	7.13 181.1	4.50 114.3	2.75 69.9	3.75 95.3			3.75(T) 95.3	5.38(U) 136.7					12.0 5.5