



MARCUS

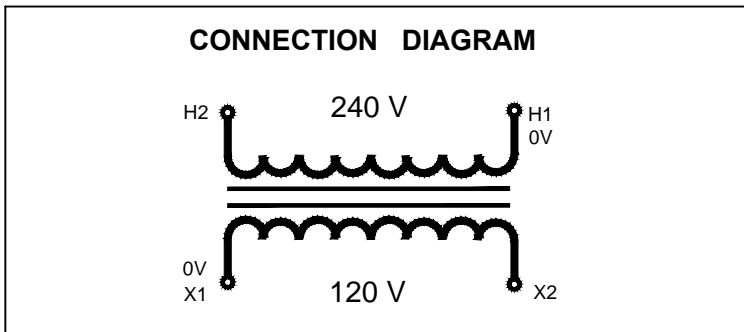
Marcus Transformer LTD
 Phone: 1-800-267-7376
 Fax: 1-866-205-7526
 Email: Info@marcustransformer.com

TECHNICAL DATA

SINGLE PHASE CONTROL TRANSFORMER

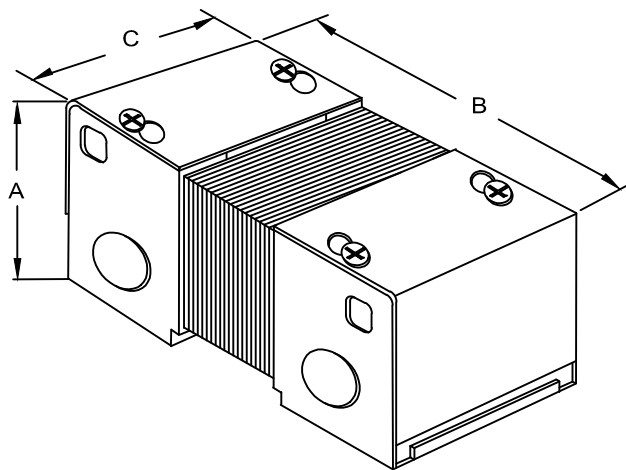
DESCRIPTION

MODEL	MC350G
Type	Enclosed, Indoor application
VA	350
Primary (Volts)	240
Secondary (Volts)	120
Input /Output Amps	1.46 / 2.92
Temperature Rise	95°C
Insulation Class	B (130°C)
Frequency	60Hz
Polarity	additive
Noise level	less than 40DB
Winding	Copper
Approvals	UL listed CSA approved

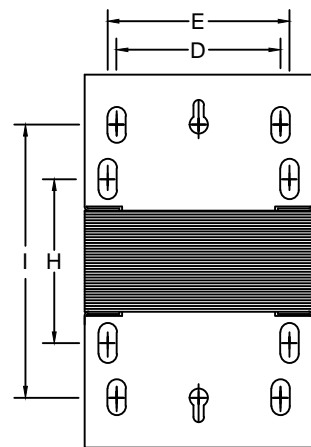
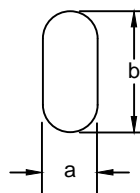


WIRING CONNECTION

PRIMARY :	
VOLTS 240	CONNECT LINES TO : H1-H2
SECONDARY :	
VOLTS 120	CONNECT LINES TO : X1-X2



LETTER	MOUNTING SLOTS INCHES / MM a b
U	0.25 x 0.875 6.4 x 22.2
T	0.25 x 0.625 6.4 x 15.9



DIMENSIONS INCHES / MM

VA	A	B	C	D	E	F	G	H	I	J	K	L	M	SHIP WEIGHT LBS / KG
350	4.07 103.4	7.13 181.1	4.50 114.3	2.75 69.9	3.75 95.3			3.75(T) 95.3	5.38(U) 136.7					12.0 5.5