



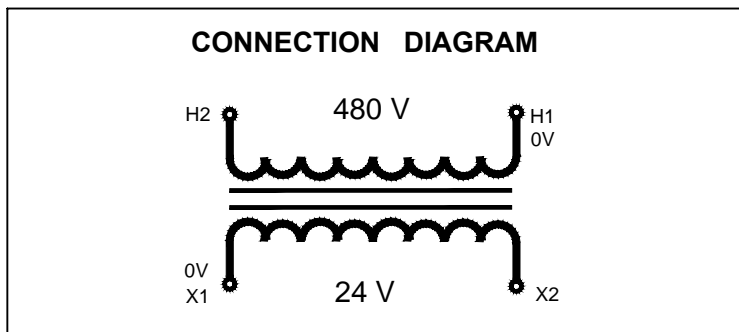
MARCUS

Marcus Transformer LTD
 Phone: 1-800-267-7376
 Fax: 1-866-205-7526
 Email: Info@marcustransformer.com

TECHNICAL DATA

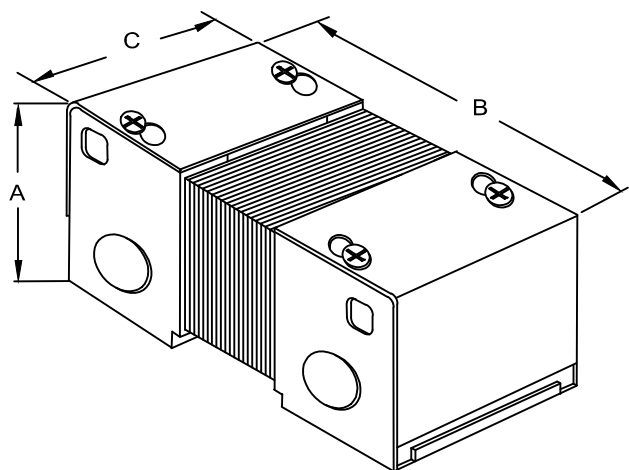
SINGLE PHASE CONTROL TRANSFORMER

DESCRIPTION	
MODEL	MC250P
Type	Enclosed, Indoor application
VA	250
Primary (Volts)	480
Secondary (Volts)	24
Input /Output Amps	0.52 / 10.42
Temperature Rise	95°C
Insulation Class	B (130°C)
Frequency	60Hz
Polarity	additive
Noise level	less than 40DB
Winding	Copper
Approvals	UL listed CSA approved

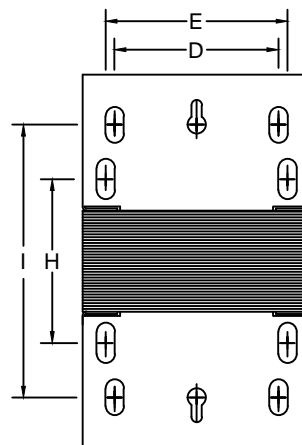
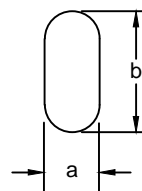


WIRING CONNECTION

PRIMARY :	
VOLTS	CONNECT LINES TO :
480	H1-H2
SECONDARY :	
VOLTS	CONNECT LINES TO :
24	X1-X2



LETTER	MOUNTING SLOTS INCHES / MM
	a b
U	0.25 x 0.875 6.4 x 22.2
T	0.25 x 0.625 6.4 x 15.9



DIMENSIONS INCHES / MM

VA	A	B	C	D	E	F	G	H	I	J	K	L	M	SHIP WEIGHT LBS / KG
250	4.07 103.4	6.13 155.7	4.50 114.3	2.75 69.9	3.75 95.3			2.75(T) 69.9	4.38(U) 111.3					8.50 3.9