



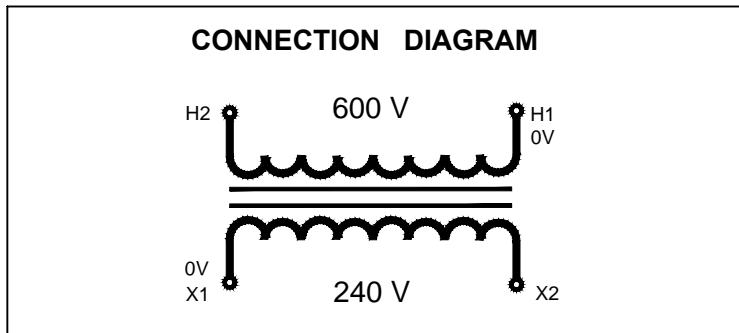
MARCUS

Marcus Transformer LTD
 Phone: 1-800-267-7376
 Fax: 1-866-205-7526
 Email: Info@marcustransformer.com

TECHNICAL DATA

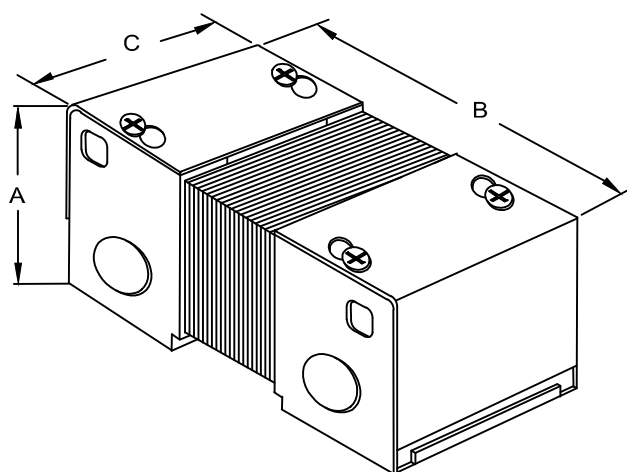
SINGLE PHASE CONTROL TRANSFORMER

DESCRIPTION	
MODEL	MC1KR
Type	Enclosed, Indoor application
VA	1000
Primary (Volts)	600
Secondary (Volts)	240
Input /Output Amps	1.67 / 4.17
Temperature Rise	95°C
Insulation Class	B (130°C)
Frequency	60Hz
Polarity	additive
Noise level	less than 40DB
Winding	Copper
Approvals	UL listed CSA approved

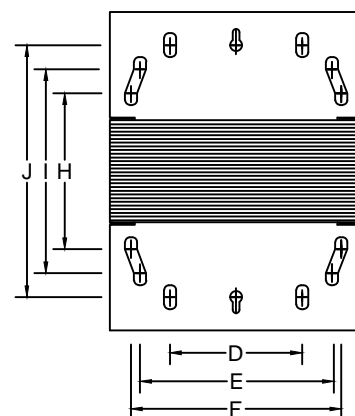
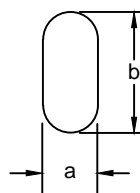


WIRING CONNECTION

PRIMARY :	
VOLTS	CONNECT LINES TO :
600	H1-H2
SECONDARY :	
VOLTS	CONNECT LINES TO :
240	X1-X2



LETTER	MOUNTING SLOTS INCHES / MM a b
V	0.30 x 0.560 7.6 x 14.2



DIMENSIONS INCHES / MM

VA	A	B	C	D	E	F	G	H	I	J	K	L	M	SHIP WEIGHT LBS / KG
1000	4.70 119.4	8.63 219.2	5.25 133.4	2.75 69.9	4.00 101.6	4.38 111.3		5.25(V) 133.4	6.25(V) 158.8	7.25(V) 184.2				27.00 12.3