



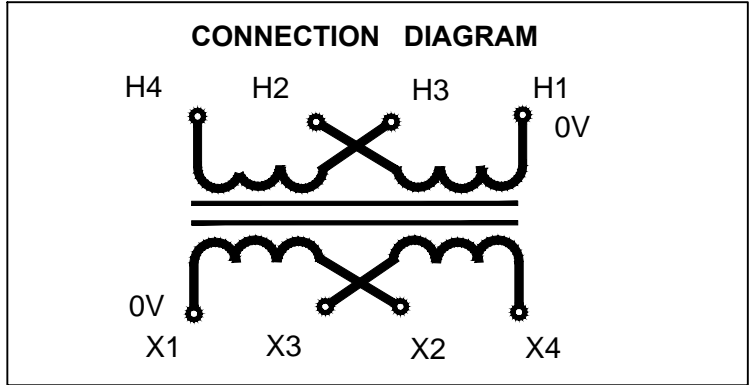
MARCUS

Marcus Transformer LTD
 Phone: 1-800-267-7376
 Fax: 1-866-205-7526
 Email: Info@marcustransformer.com

TECHNICAL DATA

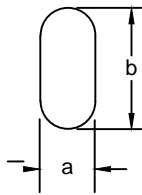
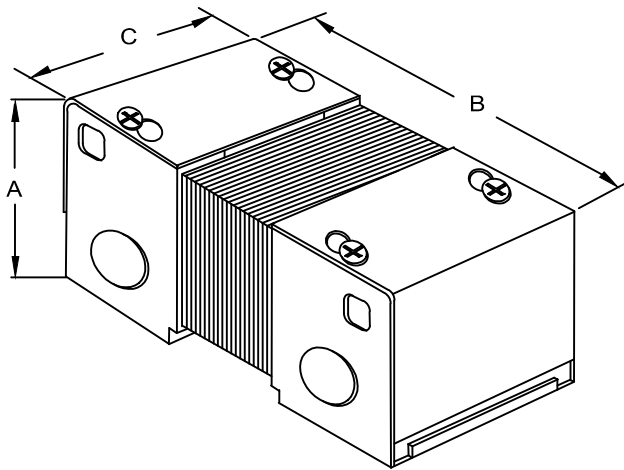
SINGLE PHASE CONTROL TRANSFORMER

DESCRIPTION	
MODEL	MC1K5J
Type	Enclosed, Indoor application
VA	1500
Primary (Volts)	240 / 480
Secondary (Volts)	120 / 240
Input / Output Amps	6.25 , 3.13 / 12.5 , 6.25
Temperature Rise	115°C
Insulation Class	F (155°C)
Frequency	60Hz
Polarity	additive
Noise level	less than 40DB
Winding	Copper
Approvals	UL listed CSA approved

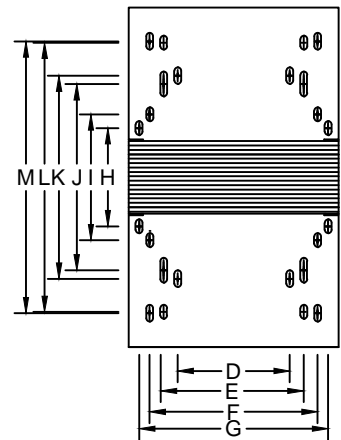


WIRING CONNECTION

PRIMARY :		
VOLTS	INTERCONNECT:	CONNECT LINES TO :
240	H1-H3 AND H2-H4	H1-H4
480	H2-H3	H1-H4
SECONDARY :		
VOLTS	INTERCONNECT:	CONNECT LINES TO :
120	X1-X3 AND X2-X4	X1-X4
240	X2-X3	X1-X4



LETTER	MOUNTING SLOTS INCHES / MM
	a b
W	0.31 x 0.630 7.9 x 16.0
X	0.31 x 0.750 7.9 x 19.0
Y	0.31 x 0.875 7.9 x 22.2
Z	0.31 x 1.125 7.9 x 28.6



DIMENSIONS INCHES / MM

VA	A	B	C	D	E	F	G	H	I	J	K	L	M	SHIP WEIGHT LBS / KG
1500	6.58 167.1	12.13 308.2	7.50 190.5	4.00 101.6	5.00 127.0	6.00 152.4	6.75 171.5	3.50(W) 89.0	4.50(W) 114.3	6.63(Z) 168.4	7.25(X) 184.2	9.50(W) 244.3	9.70(Y) 246.6	39.00 17.8