



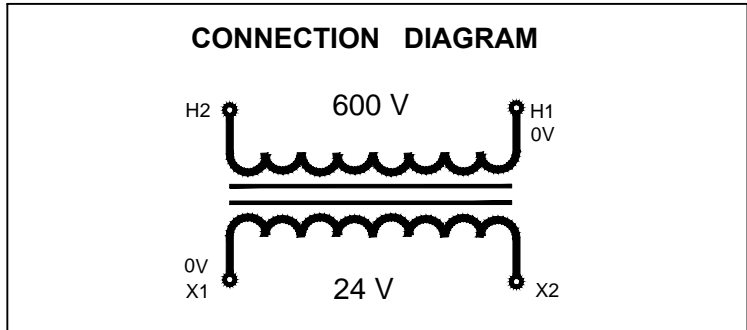
# MARCUS

Marcus Transformer LTD  
 Phone: 1-800-267-7376  
 Fax: 1-866-205-7526  
 Email: Info@marcustransformer.com

## TECHNICAL DATA

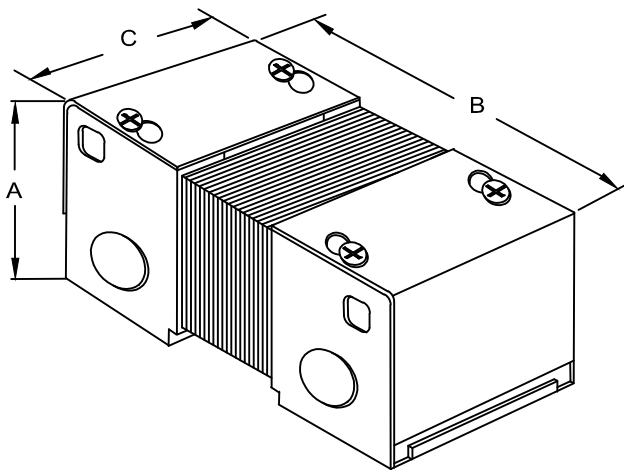
SINGLE PHASE CONTROL TRANSFORMER

DESCRIPTION	
MODEL	MC150S
Type	Enclosed, Indoor application
VA	150
Primary (Volts)	600
Secondary (Volts)	24
Input /Output Amps	0.25 / 6.25
Temperature Rise	95°C
Insulation Class	B (130°C)
Frequency	60Hz
Polarity	additive
Noise level	less than 40DB
Winding	Copper
Approvals	UL listed CSA approved

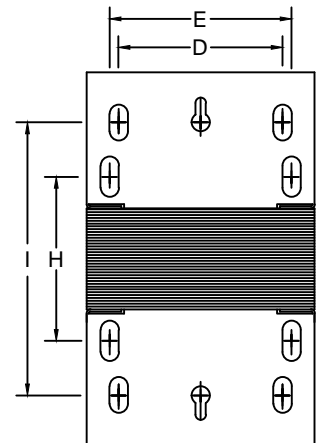
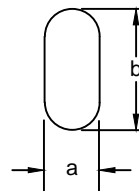


### WIRING CONNECTION

PRIMARY :	
VOLTS	CONNECT LINES TO :
600	H1-H2
SECONDARY :	
VOLTS	CONNECT LINES TO :
24	X1-X2



LETTER	MOUNTING SLOTS INCHES / MM a b
S	0.25 x 0.500 6.4 x 12.7
T	0.25 x 0.625 6.4 x 15.9



### DIMENSIONS INCHES / MM

VA	A	B	C	D	E	F	G	H	I	J	K	L	M	SHIP WEIGHT LBS / KG
150	3.45 87.6	5.88 149.4	3.75 95.3	2.25 57.2	3.13 79.5			3.00(T) 76.2	4.75(S) 120.7					6.75 3.1