

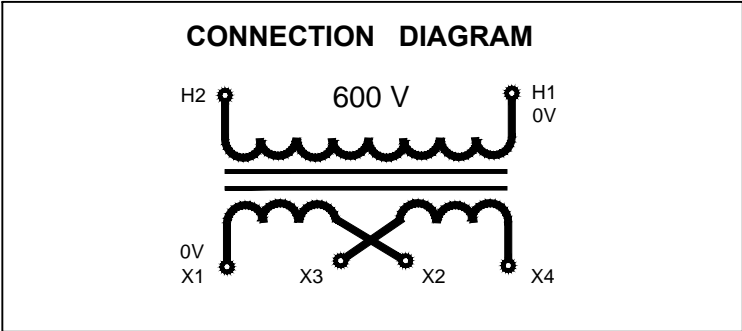


MARCUS

Marcus Transformer LTD
 Phone: 1-800-267-7376
 Fax: 1-866-205-7526
 Email: Info@marcustransformer.com

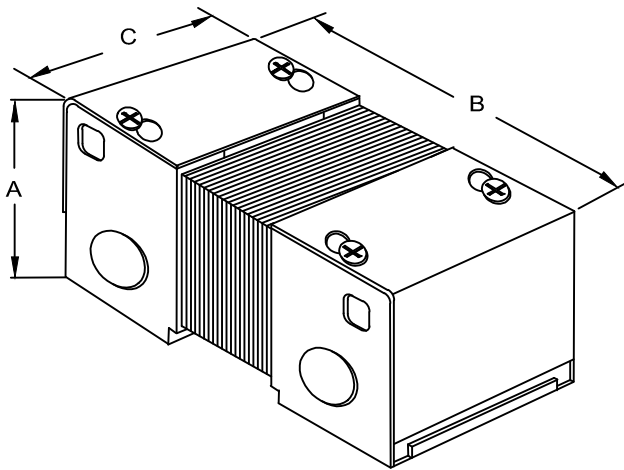
TECHNICAL DATA SINGLE PHASE CONTROL TRANSFORMER

DESCRIPTION	
MODEL	MC150R
Type	Enclosed, Indoor application
VA	150
Primary (Volts)	600
Secondary (Volts)	12 / 24
Input / Output Amps	0.25 / 12.5 , 6.25
Temperature Rise	95°C
Insulation Class	B (130°C)
Frequency	60Hz
Polarity	additive
Noise level	less than 40DB
Winding	Copper
Approvals	UL listed CSA approved

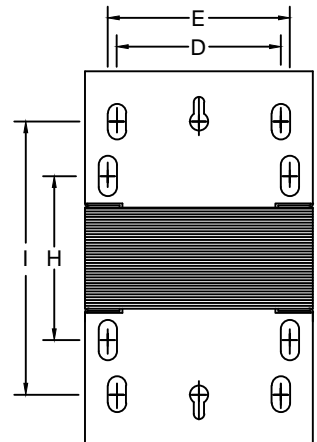
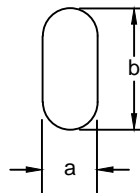


WIRING CONNECTION

PRIMARY :		
VOLTS 600	CONNECT LINES TO : H1-H2	
SECONDARY :		
VOLTS 12	INTERCONNECT: X1-X3 AND X2-X4	CONNECT LINES TO : X1-X4
24	X2-X3	X1-X4
12/24	X2-X3	X1-X3-X4



LETTER	MOUNTING SLOTS INCHES / MM
	a b
S	0.25 x 0.500 6.4 x 12.7
T	0.25 x 0.625 6.4 x 15.9



DIMENSIONS INCHES / MM

VA	A	B	C	D	E	F	G	H	I	J	K	L	M	SHIP WEIGHT LBS / KG
150	3.45 87.6	5.88 149.4	3.75 95.3	2.25 57.2	3.13 79.5			3.00(T) 76.2	4.75(S) 120.7					6.75 3.1