

SPECIFICATION

NEXLEDS®
NEXLEDS LTD



3500K-4000K-5000K

Changeable

40W-32W-24W

Changeable

64W-50W-40W

Changeable



VIDEO

LED Strip Light

NX-LLS4F-40W-H-MV-TX(XX)-Y

NX-LLS8F-64W-H-MV-TX(XX)-Y

Specification

Product Name :	LED Strip Light	
Model NO. :	NX-LLS4F-40W-H-MV-TX(XX)-Y	NX-LLS8F-64W-H-MV-TX(XX)-Y
Specification :	AC120-347V; 50/60Hz	
	367mA; 40W-32W-24W	587mA; 64W-50W-40W
Working Temp :	-20~45(°C)	
Power Factor :	0.9	
CRI(ra) :	>80	
Color :	White color	
Light Source :	Luminus SMD2835	
Lumen :	130LM/W	
Life Time :	50000 hrs	
Beam Angle :	120°	
Product Size :	46.66*2.91*3.25 inch	95.98*2.91*3.25 inch
IP :	IP44	
Application :	Market, office... etc	
Warranty :	5 years	
Standard :	UL	
Color Temp :	3500K-4000K-5000K	

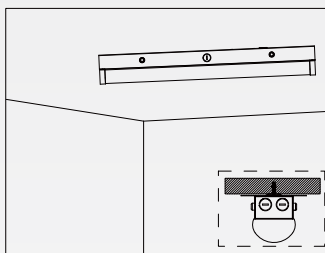
Feature:

1. Daisy connection with very convenient replacement in 1minute.
2. 0-10V Dimming, Universal voltage: 100-277v.
3. Available with suspending installation and surface-mounted installation.
4. Wide application for: school, hospital, super market, office and warehouse.
5. 4ft and 8ft dimensions for variety choices.
6. 5-years warranty.

Installation:

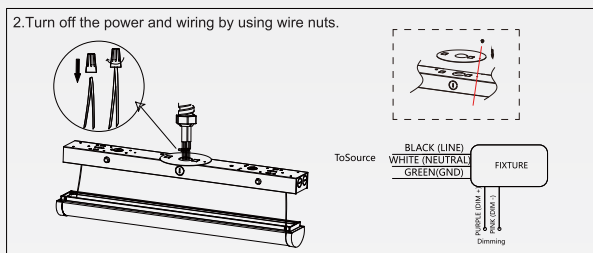
A. Surface-mounted installation

1. Punch a hole on the wall and put the expansion tube inside.



2FT: LF=12.13"
4FT: LF=34.80"
8FT: LF=35.35" & 84.13"

2. Turn off the power and wiring by using wire nuts.

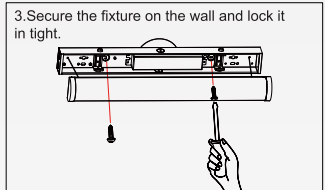


To Source: BLACK (LINE)
WHITE (NEUTRAL)
GREEN (GND)

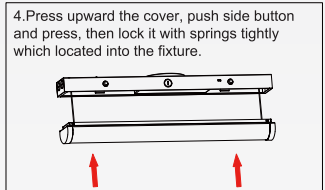
FIXTURE: PURPLE (DIM)
BLACK (DIM+)
RED (DIM-)

Dimming

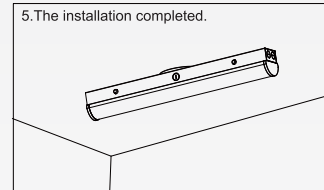
3. Secure the fixture on the wall and lock it in tight.



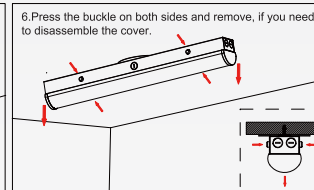
4. Press upward the cover, push side button and press, then lock it with springs tightly which located into the fixture.



5. The installation completed.

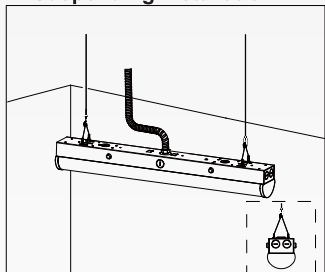


6. Press the buckle on both sides and remove, if you need to disassemble the cover.



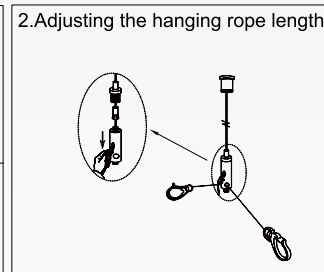
B. Suspending installation

1. Fixing the hook and suspending the lamp.

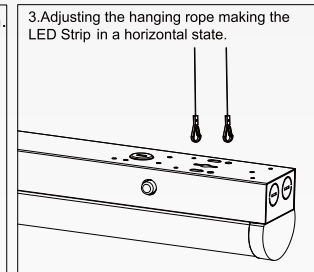


2FT: LF=18.52"
4FT: LF=41.19"
8FT: LF=35.59" & 90.50"

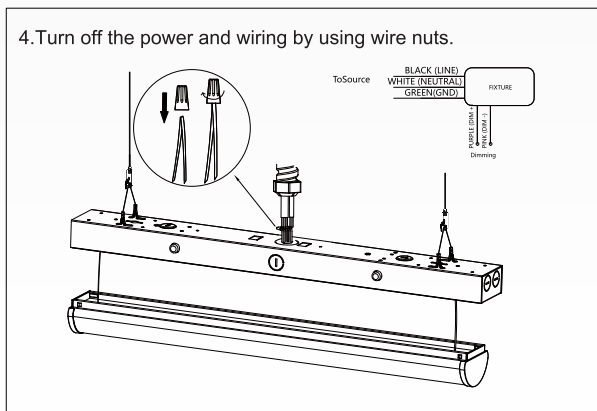
2. Adjusting the hanging rope length.



3. Adjusting the hanging rope making the LED Strip in a horizontal state.



4. Turn off the power and wiring by using wire nuts.



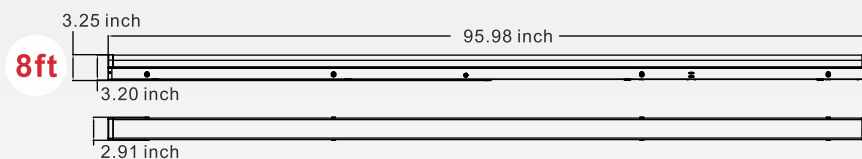
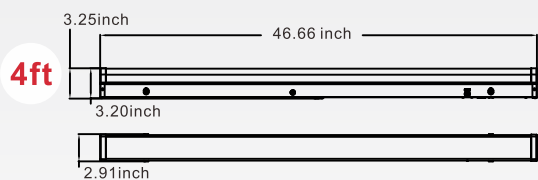
To Source: BLACK (LINE)
WHITE (NEUTRAL)
GREEN (GND)

FIXTURE: PURPLE (DIM)
BLACK (DIM+)
RED (DIM-)

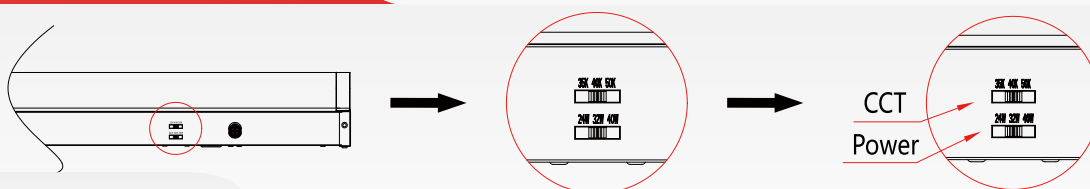
Dimming



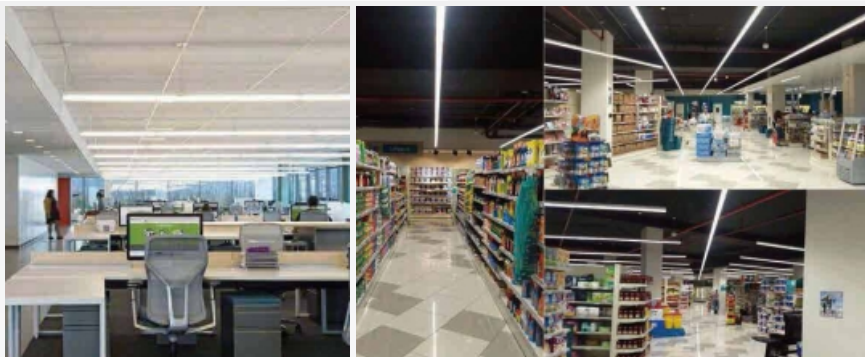
Dimension:



CCT & Wattage selectable:



Application:



Warning:

- ⚠ Risk of fire or electric shock. Fixture installation requires knowledge of luminaires electrical systems. If not qualified, DO NOT attempt installation. Contact a qualified electrician.
- ⚠ Risk of fire or electric shock. Suitable for wet locations. Always turn off the power supply before installation.
- ⚠ Risk of fire or electric shock. Suitable for non-insulated surface and frame. DO NOT cover fixture with insulation liner or similar material.
- ⚠ DO NOT install fixture on unstable, loose or easily breakable surface.
- ⚠ DO NOT exert force on the surface of the fixture.

Note:

- 1.The installation and maintenance must be completed by electricians or professionals.
- 2.Please cut off the power before installation and maintenance.
- 3.The thermally insulating material is not allowed to cover the fixture.
- 4.Please keep away from the corrosive substance, and keep the fixture dry and clean.
- 5.Working temperature: -4°F~113°F, storage temperature: -22°F~140°F.

