



Product designation				MINIATURE RELAYS
Product type designation				HR501C
Contact characteristics				
Contact configuration				1 C/O
Rated insulation voltage U_i IEC/EN	V			250
Rated impulse withstand voltage U_{imp}	kV			6
IEC Conventional free air thermal current I_{th}	A			16
Maximum instantaneous current	A			20
Rated current (I_n)	A			16
Relay control voltage	V			24VDC
Max contrrollable power in				
		AC-1	W	4000
		AC-15	VA	150
Rated operating power AC-1			VA	4000
Rated operating power AC-15			VA	150
		230 VAC	VA	150
Single-phase motor control			kW	0.1
		230VAC	kW	0.1
Rated operating current DC-1			A	12
		30V	A	12
		110V	A	0.3
		220V	A	0.1
Minimum switching load			V / mA	5 / 100
Contact impedance			m Ω	100
Contact material				Ag/Ni
Operating times				
Closing			ms	<15
Opening			ms	<15
Operations				
Mechanical life			cycles	10000000
Electrical life AC1			cycles	30000
Coil characteristics				
Average coil consumption AC at 20°C			VA	1
Average coil consumption DC at 20°C			W	0.4
Operating range				
		Closing	% U_n	75...110
		Opening	% U_n	10...30
Maximum cycle frequency			cycles/h	3600
Mechanical features				
Max socket terminal tightening torque			Nm	0.6
Socket screw tightening tool (cross / flat blade)				PH1 / 4.5mm
Conductor section				
	AWG/Kcmil			

	min	20	
	max	14	
IEC	min	mm ²	0.5
	max	mm ²	2.5
Operating position	normal	Any	
Fixing	On 35mm DIN rail and with screw		

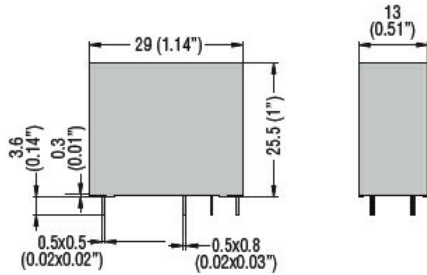
Ambient conditions

Temperature	Operating temperature	min	°C	-40
		max	°C	+70
	Storage temperature	min	°C	-40
		max	°C	+85

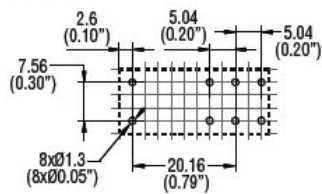
Other features

Indication	Yes
Mechanical contact position indicator	Yes
Mechanical test actuator	Yes

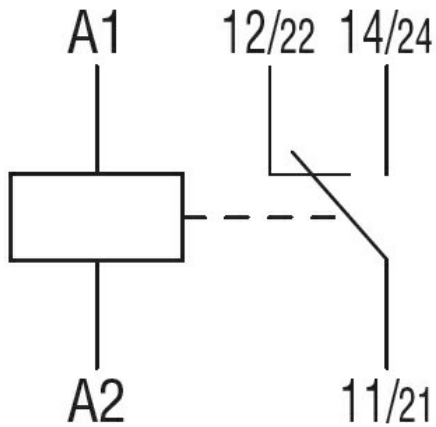
Dimensions [mm (in)]



PCB layout



Wiring diagrams



Certifications and compliance

Compliance

IEC/EN 61810

Certificates

CSA

cURus

EAC

VDE

ETIM classification

ETIM 8.0

EC001437 -
Switching relay