



| | | | | |
|--|-----------|------------|--------------------|------------------|
| Product designation | | | | MINIATURE RELAYS |
| Product type designation | | | | HR402C |
| Contact characteristics | | | | |
| Contact configuration | | | | 2 C/O |
| Rated insulation voltage U_i IEC/EN | V | | | 250 |
| Rated impulse withstand voltage U_{imp} | kV | | | 5 |
| IEC Conventional free air thermal current I_{th} | A | | | 10 |
| Maximum instantaneous current | A | | | 26 |
| Rated current (I_n) | A | | | 10 |
| Relay control voltage | V | | | 24VDC |
| Max contrrollable power in | | | | |
| | AC-1 | W | 2500 | |
| | AC-15 | VA | 150 | |
| Rated operating power AC-1 | | VA | 2500 | |
| Rated operating power AC-15 | 230 VAC | VA | 400 | |
| Single-phase motor control | 230VAC | kW | 0.3 | |
| Rated operating current DC-1 | | | | |
| | 30V | A | 8 | |
| | 110V | A | 0.3 | |
| | 220V | A | 0.12 | |
| Minimum switching load | | V / mA | 5 / 100 | |
| Contact impedance | | m Ω | 100 | |
| Contact material | | | AgSnO ₂ | |
| Operating times | | | | |
| Closing | | ms | <15 | |
| Opening | | ms | <5 | |
| Operations | | | | |
| Mechanical life | | cycles | 10000000 | |
| Electrical life AC1 | | cycles | 100000 | |
| Coil characteristics | | | | |
| Average coil consumption DC at 20°C | | W | 0.5 | |
| Operating range | | | | |
| | Closing | % U_n | 75...110 | |
| | Opening | % U_n | 10...30 | |
| Maximum cycle frequency | | cycles/h | 3600 | |
| Mechanical features | | | | |
| Max socket terminal tightening torque | | Nm | 0.6 | |
| Socket screw tightening tool (cross / flat blade) | | | PH1 / 4.5mm | |
| Conductor section | AWG/Kcmil | | | |
| | | min | 20 | |

| | | | |
|--------------------|--------|---------------------------------|-----|
| IEC | max | 14 | |
| | min | mm ² | 0.5 |
| | max | mm ² | 2.5 |
| Operating position | normal | Any | |
| Fixing | | On 35mm DIN rail and with screw | |

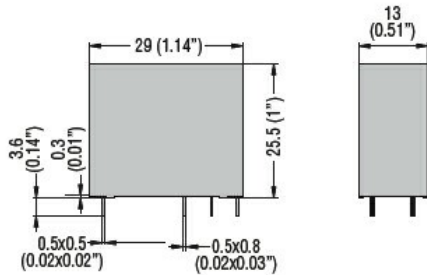
Ambient conditions

| | | | |
|---------------------|-----------------------|----|-----|
| Temperature | Operating temperature | | |
| | min | °C | -40 |
| | max | °C | +85 |
| Storage temperature | min | °C | -40 |
| | max | °C | +85 |

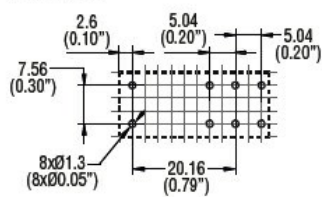
Other features

| | |
|---------------------------------------|----|
| Indication | No |
| Mechanical contact position indicator | No |
| Mechanical test actuator | No |

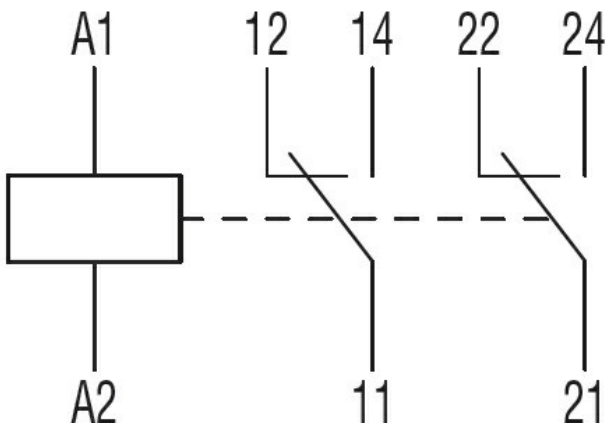
Dimensions [mm (in)]



PCB layout



Wiring diagrams



Certifications and compliance

Compliance

IEC/EN 61810

Certificates

cURus

ETIM classification

ETIM 8.0

EC001437 –
Switching relay