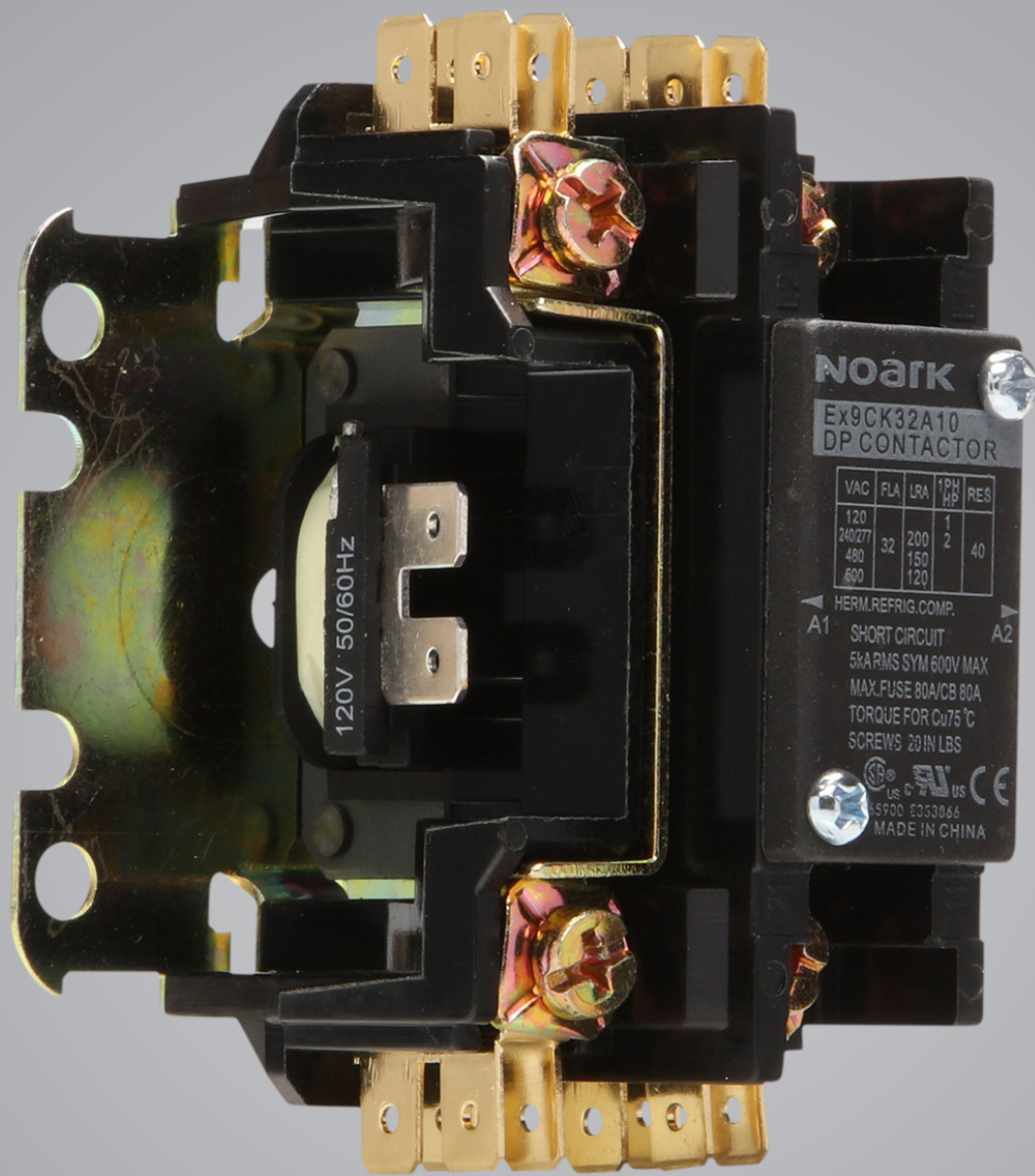


DEFINITE PURPOSE CONTACTORS



Ex9CK

Definite Purpose Contactors

Ex9CK Product Overview

Features

- Rated current from 20~90 A
- Coil voltages from 24~600 Vac, 50/60 Hz
- Coil is Class B 266 °F (130 °C)
- Available with enclosed coils for protection against particle contamination
- 1, 2, and 3 pole configurations
- Industry standard mounting plate provides easily accessible mounting holes
- More connection terminal options, including screw or lug connections each with quick connect spades
- Double E magnet assembly provides optimal performance with reduced power consumption
- 1NO+1NC auxiliary contact block with 600 Vac available as an option
- Base assembly is made from high arc-resistant polyester

Definite Purpose Contactors

Ex9CK National and International Standards

Certifications

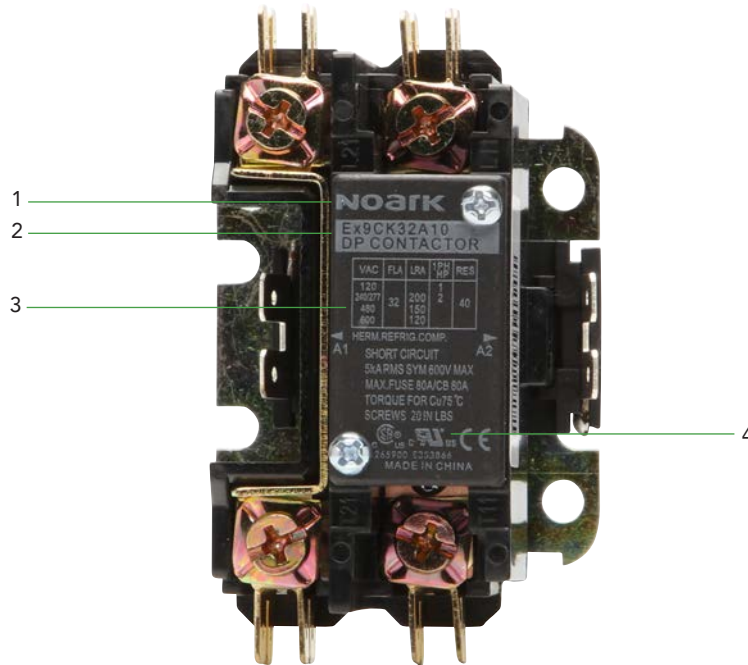
- UL Recognized Component, File Number E353866
- Certified for Canada according to CSA standards
- IEC/EN 60947-4-1
- Complies with VDE standards



Definite Purpose Contactors

Ex9CK Product Selection Guide

Label



1. Brand
2. Product Selection
3. AC Coil Voltage
4. UL Recognized Component

E

Product Selection Guide

Ex9CK	40	A	10	G	7	Q
NOARK Ex9CK Series	Full Load Amperage (FLA)	Terminal	Pole	Coil Voltage	Frequency	Quick Connection Terminal for 2P
	20: 20 A 25: 25 A 30: 30 A 32: 32 A 40: 40 A 50: 50 A 60: 60 A 75: 75 A 90: 90 A	A: Screw B: Lug	10: 1NO+1Shunt 20: 2NO 30: 3NO	B: 24V N: 277 V C: 36 V Q ¹ : 380 V D: 42 V V: 400 V E: 48 V N: 415 V F: 110 V R: 440 V G: 120 V T: 480 V M: 220 V S: 500 V P: 230 V Y: 600 V	7: 50/60 Hz	Blank: Open Coil (1 & 2 Pole) Enclosed Coil (3 Pole)

Definite Purpose Contactors

Ex9CK 25 A

- Auxiliary contacts for 3 pole only; see page E150 for part numbers
- Enclosed coils available for 3 pole



Certifications
IEC/EN 60947-4-1

25 A Lug

Coil Voltage (Vac)	1 Pole 1NO+1 Shunt		2 Poles 2NO		3 Poles 3NO	
	Product	Part Number	Product	Part Number	Product	Part Number
24	Ex9CK25B10B7	1311402	Ex9CK25B20B7	1311416	Ex9CK25B30B7	1311430
48	Ex9CK25B10E7	1313599	Ex9CK25B20E7	1313613	Ex9CK25B30E7	1313627
110	Ex9CK25B10F7	1311404	Ex9CK25B20F7	1311418	Ex9CK25B30F7	1311432
120	Ex9CK25B10G7	1311406	Ex9CK25B20G7	1311420	Ex9CK25B30G7	1311434
220	Ex9CK25B10M7	1313603	Ex9CK25B20M7	1313617	Ex9CK25B30M7	1313631
230	Ex9CK25B10P7	1311410	Ex9CK25B20P7	1311424	Ex9CK25B30P7	1311438
240	Ex9CK25B10U7	1311414	Ex9CK25B20U7	1311428	Ex9CK25B30U7	1311442
277	Ex9CK25B10N7	1311408	Ex9CK25B20N7	1311422	Ex9CK25B30N7	1311436
380	Ex9CK25B10Q7	1313607	Ex9CK25B20Q7	1313621	Ex9CK25B30Q7	1313635
440	Ex9CK25B10R7	1313611	Ex9CK25B20R7	1313625	Ex9CK25B30R7	1313639
480	Ex9CK25B10T7	1311412	Ex9CK25B20T7	1311426	Ex9CK25B30T7	1311440
600	Ex9CK25B10Y7	1313601	Ex9CK25B20Y7	1313615	Ex9CK25B30Y7	1313629

25 A Screw

Coil Voltage (Vac)	1 Pole 1NO+1 Shunt		2 Poles 2NO		25 A Ratings	1 P, 2 P, & 3 P			
	Product	Part Number	Product	Part Number					
24	Ex9CK25A10B7	1311374	Ex9CK25A20B7	1311388	Full Load Amperes (A)	25			
48	Ex9CK25A10E7	1313571	Ex9CK25A20E7	1313585		Resistive Current (A)	35		
110	Ex9CK25A10F7	1311376	Ex9CK25A20F7	1311390	Line Voltage (Vac)		240/277	480	600
120	Ex9CK25A10G7	1311378	Ex9CK25A20G7	1311392			Locked Rotor (A)	150	125
220	Ex9CK25A10M7	1313575	Ex9CK25A20M7	1313589					
230	Ex9CK25A10P7	1311382	Ex9CK25A20P7	1311396					
240	Ex9CK25A10U7	1311386	Ex9CK25A20U7	1311400					
277	Ex9CK25A10N7	1311380	Ex9CK25A20N7	1311394					
380	Ex9CK25A10Q7	1313579	Ex9CK25A20Q7	1313593					
440	Ex9CK25A10R7	1313583	Ex9CK25A20R7	1313597					
480	Ex9CK25A10T7	1311384	Ex9CK25A20T7	1311398					
600	Ex9CK25A10Y7	1313573	Ex9CK25A20Y7	1313587					

Specifications	E149 to 151	Wiring Diagram	E154	Accessories	E155 to 156
Dimensions	E152 to 153	Mounting Positions	E162		

Definite Purpose Contactors

Ex9CK 30 A

- Auxiliary contacts for 3 pole only; see page E150 for part numbers
- Enclosed coils available for 3 pole



Certifications
IEC/EN 60947-4-1

30 A Lug

Coil Voltage (Vac)	1 Pole 1NO+1 Shunt		2 Poles 2NO		3 Poles 3NO	
	Product	Part Number	Product	Part Number	Product	Part Number
24	Ex9CK30B10B7	1311472	Ex9CK30B20B7	1311486	Ex9CK30B30B7	1311500
48	Ex9CK30B10E7	1313669	Ex9CK30B20E7	1313683	Ex9CK30B30E7	1313697
110	Ex9CK30B10F7	1311474	Ex9CK30B20F7	1311488	Ex9CK30B30F7	1311502
120	Ex9CK30B10G7	1311476	Ex9CK30B20G7	1311490	Ex9CK30B30G7	1311504
220	Ex9CK30B10M7	1313673	Ex9CK30B20M7	1313687	Ex9CK30B30M7	1313701
230	Ex9CK30B10P7	1311480	Ex9CK30B20P7	1311494	Ex9CK30B30P7	1311508
240	Ex9CK30B10U7	1311484	Ex9CK30B20U7	1311498	Ex9CK30B30U7	1311512
277	Ex9CK30B10N7	1311478	Ex9CK30B20N7	1311492	Ex9CK30B30N7	1311506
380	Ex9CK30B10Q7	1313677	Ex9CK30B20Q7	1313691	Ex9CK30B30Q7	1313705
440	Ex9CK30B10R7	1313681	Ex9CK30B20R7	1313695	Ex9CK30B30R7	1313709
480	Ex9CK30B10T7	1311482	Ex9CK30B20T7	1311496	Ex9CK30B30T7	1311510
600	Ex9CK30B10Y7	1313671	Ex9CK30B20Y7	1313685	Ex9CK30B30Y7	1313699

30 A Screw

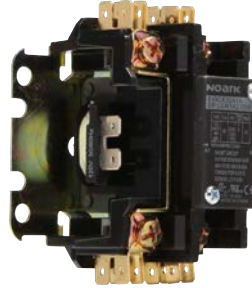
Coil Voltage (Vac)	1 Pole 1NO+1 Shunt		2 Poles 2NO		30 A Ratings	1 P, 2 P, & 3 P		
	Product	Part Number	Product	Part Number				
24	Ex9CK30A10B7	1311444	Ex9CK30A20B7	1311458	Full Load Amperes (A)	32		
48	Ex9CK30A10E7	1313641	Ex9CK30A20E7	1313655				
110	Ex9CK30A10F7	1311446	Ex9CK30A20F7	1311460	Resistive Current (A)	40		
120	Ex9CK30A10G7	1311448	Ex9CK30A20G7	1311462				
220	Ex9CK30A10M7	1313645	Ex9CK30A20M7	1313659	Line Voltage (Vac)	240/277	480 600	
230	Ex9CK30A10P7	1311452	Ex9CK30A20P7	1311466				
240	Ex9CK30A10U7	1311456	Ex9CK30A20U7	1311470	Locked Rotor (A)	200	150	120
277	Ex9CK30A10N7	1311450	Ex9CK30A20N7	1311464				
380	Ex9CK30A10Q7	1313649	Ex9CK30A20Q7	1313663				
440	Ex9CK30A10R7	1313653	Ex9CK30A20R7	1313667				
480	Ex9CK30A10T7	1311454	Ex9CK30A20T7	1311468				
600	Ex9CK30A10Y7	1313643	Ex9CK30A20Y7	1313657				

Specifications	E149 to 151	Wiring Diagram	E154	Accessories	E155 to 156
Dimensions	E152 to 153	Mounting Positions	E162		

Definite Purpose Contactors

Ex9CK 32 A

- Auxiliary contacts for 3 pole only; see page E150 for part numbers
- Enclosed coils available for 3 pole



Certifications
IEC/EN 60947-4-1

32 A Lug

Coil Voltage (Vac)	1 Pole 1NO+1 Shunt		2 Poles 2NO		3 Poles 3NO	
	Product	Part Number	Product	Part Number	Product	Part Number
24	Ex9CK32B10B7	1311542	Ex9CK32B20B7	1311556	Ex9CK32B30B7	1311570
48	Ex9CK32B10E7	1313739	Ex9CK32B20E7	1313753	Ex9CK32B30E7	1313767
110	Ex9CK32B10F7	1311544	Ex9CK32B20F7	1311558	Ex9CK32B30F7	1311572
120	Ex9CK32B10G7	1311546	Ex9CK32B20G7	1311560	Ex9CK32B30G7	1311574
220	Ex9CK32B10M7	1313743	Ex9CK32B20M7	1313757	Ex9CK32B30M7	1313771
230	Ex9CK32B10P7	1311550	Ex9CK32B20P7	1311564	Ex9CK32B30P7	1311578
240	Ex9CK32B10U7	1311554	Ex9CK32B20U7	1311568	Ex9CK32B30U7	1311582
277	Ex9CK32B10N7	1311548	Ex9CK32B20N7	1311562	Ex9CK32B30N7	1311576
380	Ex9CK32B10Q7	1313747	Ex9CK32B20Q7	1313761	Ex9CK32B30Q7	1313775
440	Ex9CK32B10R7	1313751	Ex9CK32B20R7	1313765	Ex9CK32B30R7	1313779
480	Ex9CK32B10T7	1311552	Ex9CK32B20T7	1311566	Ex9CK32B30T7	1311580
600	Ex9CK32B10Y7	1313741	Ex9CK32B20Y7	1313755	Ex9CK32B30Y7	1313769

E

32 A Screw

Coil Voltage (Vac)	1 Pole 1NO+1 Shunt		2 Poles 2NO	
	Product	Part Number	Product	Part Number
24	Ex9CK32A10B7	1311514	Ex9CK32A20B7	1311528
48	Ex9CK32A10E7	1313711	Ex9CK32A20E7	1313725
110	Ex9CK32A10F7	1311516	Ex9CK32A20F7	1311530
120	Ex9CK32A10G7	1311518	Ex9CK32A20G7	1311532
220	Ex9CK32A10M7	1313715	Ex9CK32A20M7	1313729
230	Ex9CK32A10P7	1311522	Ex9CK32A20P7	1311536
240	Ex9CK32A10U7	1311526	Ex9CK32A20U7	1311540
277	Ex9CK32A10N7	1311520	Ex9CK32A20N7	1311534
380	Ex9CK32A10Q7	1313719	Ex9CK32A20Q7	1313733
440	Ex9CK32A10R7	1313723	Ex9CK32A20R7	1313737
480	Ex9CK32A10T7	1311524	Ex9CK32A20T7	1311538
600	Ex9CK32A10Y7	1313713	Ex9CK32A20Y7	1313727

32 A Ratings	1 P, 2 P, & 3 P		
Full Load Amperes (A)	32		
Resistive Current (A)	40		
Line Voltage (Vac)	240/277	480	600
Locked Rotor (A)	200	150	120

Specifications	E149 to 151	Wiring Diagram	E154	Accessories	E155 to 156
Dimensions	E152 to 153	Mounting Positions	E162		

Definite Purpose Contactors

Ex9CK 40 A

- Auxiliary contacts for 3 pole only; see page E150 for part numbers
- Enclosed coils available for 3 pole



40 A Lug

Coil Voltage Vac	1 Pole 1NO+1 Shunt		2 Poles 2NO		3 Poles 3NO	
	Product	Part Number	Product	Part Number	Product	Part Number
24	Ex9CK40B10B7	1311612	Ex9CK40B20B7	1311626	Ex9CK40B30B7	1311640
48	Ex9CK40B10E7	1313809	Ex9CK40B20E7	1313823	Ex9CK40B30E7	1313837
110	Ex9CK40B10F7	1311614	Ex9CK40B20F7	1311628	Ex9CK40B30F7	1311642
120	Ex9CK40B10G7	1311616	Ex9CK40B20G7	1311630	Ex9CK40B30G7	1311644
220	Ex9CK40B10M7	1313813	Ex9CK40B20M7	1313827	Ex9CK40B30M7	1313841
230	Ex9CK40B10P7	1311620	Ex9CK40B20P7	1311634	Ex9CK40B30P7	1311648
240	Ex9CK40B10U7	1311624	Ex9CK40B20U7	1311638	Ex9CK40B30U7	1311652
277	Ex9CK40B10N7	1311618	Ex9CK40B20N7	1311632	Ex9CK40B30N7	1311646
380	Ex9CK40B10Q7	1313817	Ex9CK40B20Q7	1313831	Ex9CK40B30Q7	1313845
440	Ex9CK40B10R7	1313821	Ex9CK40B20R7	1313835	Ex9CK40B30R7	1313849
480	Ex9CK40B10T7	1311622	Ex9CK40B20T7	1311636	Ex9CK40B30T7	1311650
600	Ex9CK40B10Y7	1313811	Ex9CK40B20Y7	1313825	Ex9CK40B30Y7	1313839

40 A Screw

Coil Voltage Vac	1 Pole 1NO+1 Shunt		2 Poles 2NO		40 A Ratings	1 P, 2 P, & 3 P		
	Product	Part Number	Product	Part Number				
24	Ex9CK40A10B7	1311584	Ex9CK40A20B7	1311598	Full Load Amperes (A)	40		
48	Ex9CK40A10E7	1313781	Ex9CK40A20E7	1313795				
110	Ex9CK40A10F7	1311586	Ex9CK40A20F7	1311600	Resistive Current (A)	50		
120	Ex9CK40A10G7	1311588	Ex9CK40A20G7	1311602				
220	Ex9CK40A10M7	1313785	Ex9CK40A20M7	1313799	Line Voltage (Vac)	240/ 277	480	600
230	Ex9CK40A10P7	1311592	Ex9CK40A20P7	1311606				
240	Ex9CK40A10U7	1311596	Ex9CK40A20U7	1311610				
277	Ex9CK40A10N7	1311590	Ex9CK40A20N7	1311604	Locked Rotor (A)	240	200	160
380	Ex9CK40A10Q7	1313789	Ex9CK40A20Q7	1313803				
440	Ex9CK40A10R7	1313793	Ex9CK40A20R7	1313807				
480	Ex9CK40A10T7	1311594	Ex9CK40A20T7	1311608				
600	Ex9CK40A10Y7	1313783	Ex9CK40A20Y7	1313797				

Specifications	E149 to 151	Wiring Diagram	E154	Accessories	E155 to 156
Dimensions	E152 to 153	Mounting Positions	E162		

Definite Purpose Contactors

Ex9CK 50~90 A

- Auxiliary contacts for 3 pole only; see page E150 for part numbers
- Enclosed coils available for 3 pole



Certifications
IEC/EN 60947-4-1

50 A Lug

Coil Voltage Vac	3 Poles 3NO		3 Poles 3NO	
	Product	Part Number	Product	Part Number
24	Ex9CK50B30B7	1311654	Ex9CK60B30B7	1311668
48	Ex9CK50B30E7	1313851	Ex9CK60B30E7	1313865
110	Ex9CK50B30F7	1311656	Ex9CK60B30F7	1311670
120	Ex9CK50B30G7	1311658	Ex9CK60B30G7	1311672
220	Ex9CK50B30M7	1313855	Ex9CK60B30M7	1313869
230	Ex9CK50B30P7	1311662	Ex9CK60B30P7	1311676
240	Ex9CK50B30U7	1311666	Ex9CK60B30U7	1311680
277	Ex9CK50B30N7	1311660	Ex9CK60B30N7	1311674
380	Ex9CK50B30Q7	1313859	Ex9CK60B30Q7	1313873
440	Ex9CK50B30R7	1313863	Ex9CK60B30R7	1313877
480	Ex9CK50B30T7	1311664	Ex9CK60B30T7	1311678
600	Ex9CK50B30Y7	1313853	Ex9CK60B30Y7	1313867

60 A Lug

Ratings	50 A 3 P			60 A 3 P		
Full Load Amperes (A)	50			60		
Resistive Current (A)	65			75		
Line Voltage (Vac)	240/277	480	600	240/277	480	600
Locked Rotor (A)	300	250	200	360	300	240

75 A Lug

Coil Voltage Vac	3 Poles 3NO		3 Poles 3NO	
	Product	Part Number	Product	Part Number
24	Ex9CK75B30B7	1311682	Ex9CK90B30B7	1311696
48	Ex9CK75B30E7	1313879	Ex9CK90B30E7	1313893
110	Ex9CK75B30F7	1311684	Ex9CK90B30F7	1311698
120	Ex9CK75B30G7	1311686	Ex9CK90B30G7	1311700
220	Ex9CK75B30M7	1313883	Ex9CK90B30M7	1313897
230	Ex9CK75B30P7	1311690	Ex9CK90B30P7	1311704
240	Ex9CK75B30U7	1311694	Ex9CK90B30U7	1311708
277	Ex9CK75B30N7	1311688	Ex9CK90B30N7	1311702
380	Ex9CK75B30Q7	1313887	Ex9CK90B30Q7	1313901
440	Ex9CK75B30R7	1313891	Ex9CK90B30R7	1313905
480	Ex9CK75B30T7	1311692	Ex9CK90B30T7	1311706
600	Ex9CK75B30Y7	1313881	Ex9CK90B30Y7	1313895

90 A Lug

Ratings	75 A 3 P			90 A 3 P		
Full Load Amperes (A)	75			90		
Resistive Current (A)	90			120		
Line Voltage (Vac)	240/277	480	600	240/277	480	600
Locked Rotor (A)	450	375	300	540	450	360

SpecificationsE149 to 151
Dimensions.....E161

Wiring DiagramE154
Mounting PositionsE162

Accessories.....E155 to 156

Definite Purpose Contactors

Ex9CK Pole Specifications

Description	Poles	Full Load Amperage (A)			Resistive @ 600 Vac (A)	Locked Rotor (A)			Horsepower (hp)		
		240/277 V	480 V	600 V		240/277 V	480 V	600 V	Voltage (V)	1-Phase	3-Phase
Ex9CK20	1+Shunt	20	35	150	125	100	120	1	-		
	2						240	2			
							120	3			
	3	240					2	10			
		240/277					5	15			
		480					-	20			
Ex9CK25	1+Shunt	25	35	150	125	100	120	1	-		
	2						240	2			
							120	3			
	3	240					2	10			
		240/277					5	15			
		480					-	20			
Ex9CK30	1+Shunt	32	40	200	150	120	120	1	-		
	2						240	2			
							120	3			
	3	240					2	10			
		240/277					5	15			
		480					-	20			
Ex9CK32	1+Shunt	32	40	200	150	120	120	1	-		
	2						240	2			
							120	3			
	3	240					2	10			
		240/277					5	15			
		480					-	20			
Ex9CK40	1+Shunt	40	50	240	200	160	120	2	-		
	2						240	3			
							120	2			
	3	240					3	-			
		120					3	10			
		240/277					7.5	20			
							480	-	25		
							600	-	25		

Definite Purpose Contactors

Ex9CK Coil Specifications

Ex9CK		20			25			30			32			40								
Poles		1 Pole+ Shunt	2 Poles	3 Poles	1 Pole+ Shunt	2 Poles	3 Poles	1 Pole+ Shunt	2 Poles	3 Poles	1 Pole+ Shunt	2 Poles	3 Poles	1 Pole+ Shunt	2 Poles	3 Poles						
Power Consumption*	In-Rush (VA) @ 50 Hz	55			51			55			51			55			51					
	Sealed (VA) @ 50 Hz	13			12			13			12			13			12					
	In-Rush (VA) @ 60 Hz	25	40	47	25	40	47	25	40	47	25	40	47	25	40	47						
	Sealed (VA) @ 60 Hz	6.7	8.8	9.3	6.7	8.8	9.3	6.7	8.8	9.3	6.7	8.8	9.3	6.7	8.8	9.3						
Operation Range	Pick-Up Voltage	85~110% Us																				
	Drop-Out Voltage	20~65% Us																				
Power Supply Voltage Us		50/60 Hz; 24~600 Vac																				
Terminal Connection																						
Line and Load Terminals		#10-32 Screw Box Lug																				
Copper Cable AWG (mm ²)	Ridge Wire with Single Core	Screw			14~10 (2.5~6)			12~8 (4~10)			16~8 (1.5~10)			2~8 (4~10)			¹⁶⁻⁸ _(1.5-10) 2~8 (4~10)			16~8 (1.5~10)		
	Flexible Stranded Wire	Screw		14~8 (2.5~10)																		
		Lug		14~12 (2.5~6)																		
Tightening Torque in-lb (N.m)	Coil		-																			
	Main Circuit	Screw		20 (1.8-2.3)																		
Quick Connects	Lug		1P: 20 (1.8-2.3) 2P, 3P: 40 (4-5)																			
	Power Terminals		Dual 0.250 QC (2)																			
	Coil Terminals		Dual 0.250 QC (2)																			
0.250 Standard		Quad	Dual or Quad**	Dual	Quad	Dual or Quad**	Dual	Quad	Dual or Quad**	Dual	Quad	Dual or Quad**	Dual	Quad	Dual or Quad**	Dual						
Insulation System		Class B 266°F (130 °C)																				

* Power consumption is the same for 24, 120, 240, 277 and 480 Vac.

** Dual is standard.

Mechanical & Electrical Life

Mechanical	1,000,000 cycles
Electrical	250,000 cycle (AC Resistance Air Heating Load)

Definite Purpose Contactors

Ex9CK Coil Specifications

Ex9CK		50	60	75	90
Poles		3 Poles			
Power Consumption*	In-Rush (VA) @ 50 Hz	84		165	
	Sealed (VA) @ 50 Hz	14		30	
	In-Rush (VA) @ 60 Hz	83		250	
	Sealed (VA) @ 60 Hz	9.3		27	
Operation Range	Pick-Up Voltage	85~110% Us			
	Drop-Out Voltage	20~65% Us			
Power Supply Voltage Us		50/60 Hz; 24~600 Vac			
Terminal Connection					
Line and Load Terminals		#10-32 Screw Box Lug			
Copper Cable AWG (mm ²)	Ridge Wire with Single Core Screw Lug	10~6 (6~16)	14~6 (2.5~16)	6~3 (16~35)	4~3 (25~35)
	Flexible Stranded Wire Screw Lug	10~8 (4~10)		8~4 (10~25)	8~4 (16~25)
Tightening Torque in-lb (N.m)	Coil	10 (0.8~1.2)			
	Main Circuit Screw Lug	-			
Quick Connects	Power Terminals	Dual 0.250 QC (2)	Dual 0.250 QC (2)		Dual 0.250 QC (2)
	Coil Terminals		6~32 Screw and 0.250 QC (2)		
	0.250 Standard	-			
Covers		Standard			
Insulation System		Class B 266°F (130°C)			

* Power consumption is the same for 24, 120, 240, 277 and 480 Vac.

SCCR Ratings

SCCR: 100kA@480Vac with MCCB; @600Vac max. with Fuse

Poles	Ex9CK 20 & 25A (1-3P)	Ex9CK 30 & 32A (1-3P)	Ex9CK 40A (1-3P)	Ex9CK 50A	Ex9CK 60A	Ex9CK 75A	Ex9CK 90A
CB rated current A	M1N 50A	M1N 50A	M1N 70A	M1N 100A	M1N100A	M2N 125A	M2N 125A
Fuse rated current A	80	80	100	200	200	200	200

1. CB: must be NOARK UL MCCB M1N or M2N

2. Fuse type: Class J or Class L (Class L fuse required for applications with 100A or greater)

Mechanical & Electrical Life

Mechanical	1,000,000 cycles
Electrical	250,000 cycle (AC Resistance Air Heating Load)

Definite Purpose Contactors

Ex9CK Lighting Data and Dimensions

Lighting Data

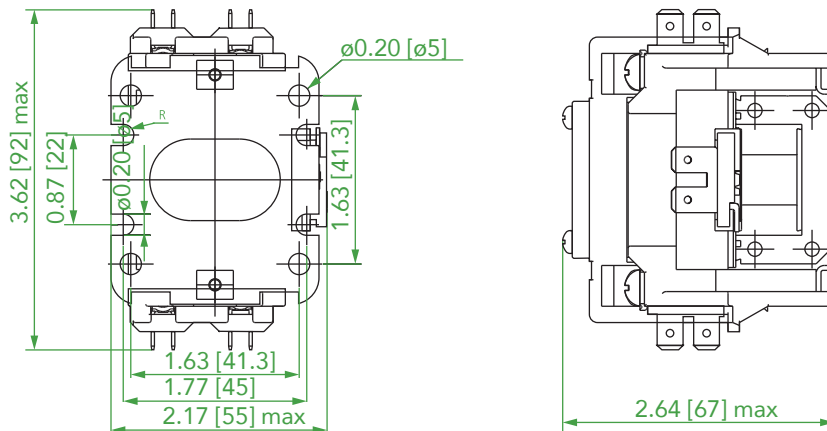
25-50A; 1/2/3P

Inductive Rating (DP Contactor FLA)	Tungsten & Ballast Rating
25A	30A
30A	40A
40A	50A
50A	60A

Ex9CK20~40

1 Pole+Shunt

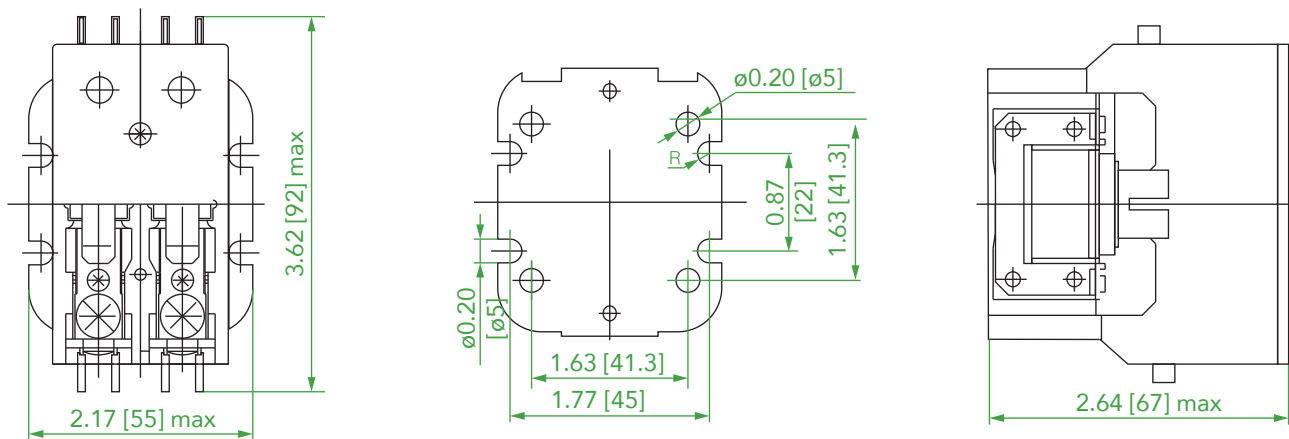
Unit: in [mm]



Ex9CK20~40

2 Poles

Unit: in [mm]



E

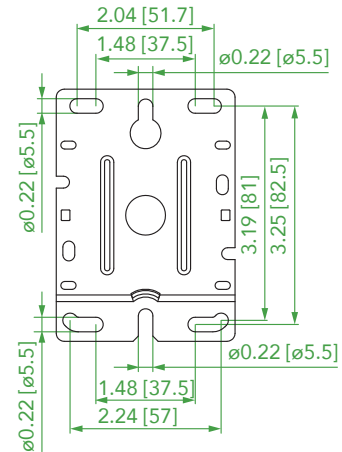
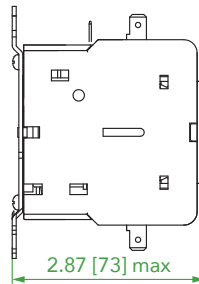
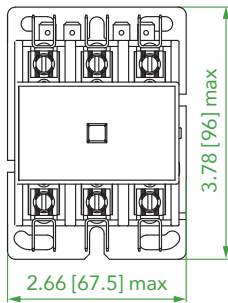
Definite Purpose Contactors

Ex9CK Dimensions

Ex9CK20~40

3 Poles

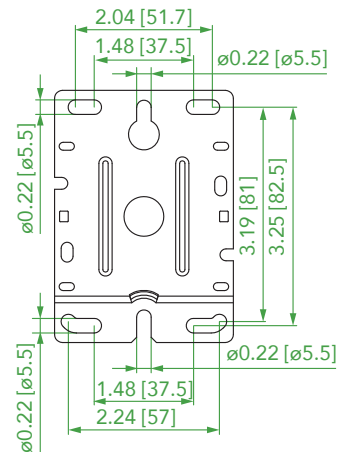
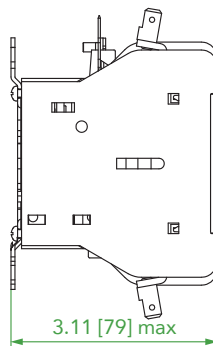
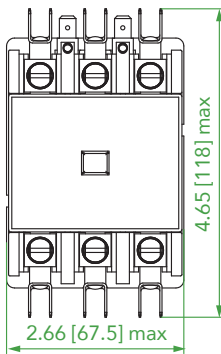
Unit: in [mm]



Ex9CK50~60

3 Poles

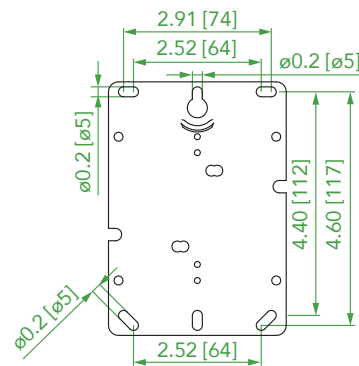
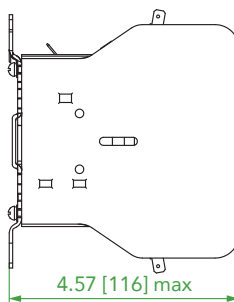
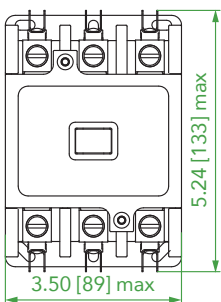
Unit: in [mm]



Ex9CK75~90

3 Poles

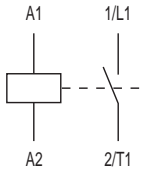
Unit: in [mm]



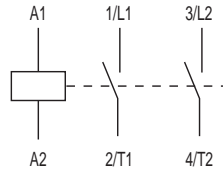
Definite Purpose Contactors

Ex9CK Wiring Diagrams and Mounting Positions

Ex9CK20~40

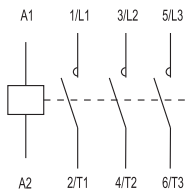


Ex9CK... 1P 1NO+1Shunt



Ex9CK... 2P 2NO

Ex9CK20~95



Ex9CK... 3P 3NO

E

Ex9CK20~90

