

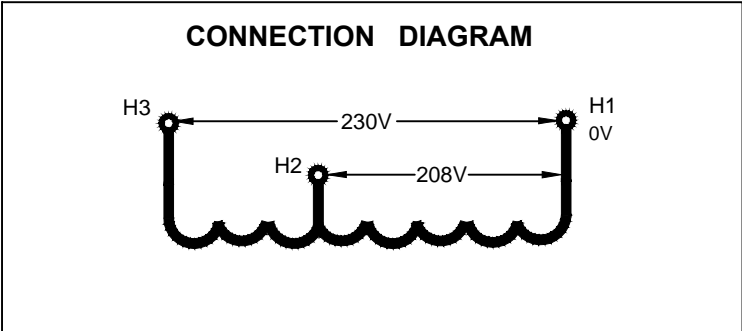


MARCUS

Marcus Transformer LTD
 Phone: 1-800-267-7376
 Fax: 1-866-205-7526
 Email: Info@marcustransformer.com

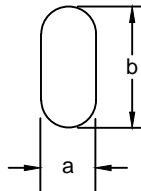
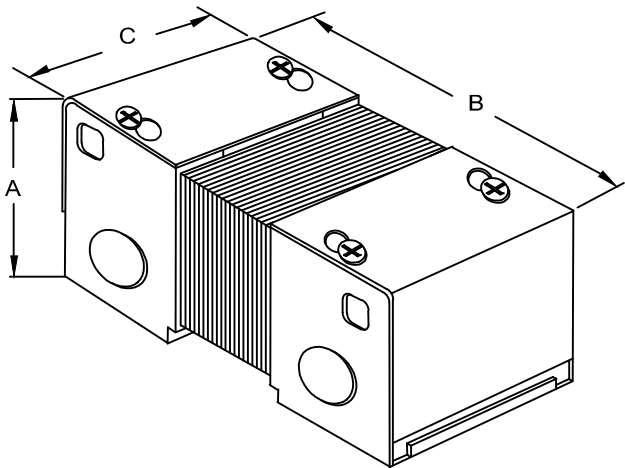
TECHNICAL DATA SINGLE PHASE AUTO TRANSFORMER

DESCRIPTION	
MODEL	AC20K
Type	Enclosed, Indoor AUTO
VA	20000
Voltage	208 / 230
Amps	96.15 / 86.96
Temperature Rise	115°C
Insulation Class	F (155°C)
Frequency	60Hz
Polarity	additive
Noise level	less than 40DB
Winding	Copper
Approvals	UL Listed CSA Approved

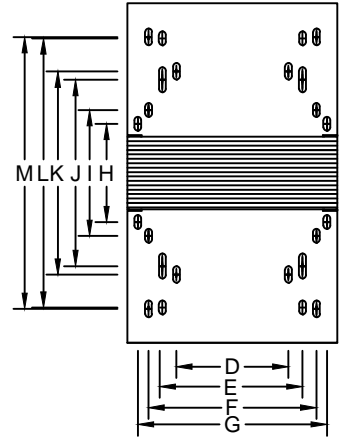


WIRING CONNECTION

VOLTS 208	CONNECT LINES TO: H1-H2
VOLTS 230	CONNECT LINES TO: H1-H3



LETTER	MOUNTING SLOTS INCHES / MM a b
W	0.31 x 0.630 7.9 x 16.0
X	0.31 x 0.750 7.9 x 19.0
Y	0.31 x 0.875 7.9 x 22.2
Z	0.31 x 1.125 7.9 x 28.6



DIMENSIONS INCHES / MM

VA	A	B	C	D	E	F	G	H	I	J	K	L	M	SHIP WEIGHT LBS / KG
20000	6.58 167.1	12.13 308.1	7.50 190.5	4.00 101.6	5.00 127.0	6.00 152.4	6.75 171.5	4.50(W) 114.3	5.50(W) 139.7	7.63(Z) 193.8	8.25(X) 209.6	10.50(W) 266.7	10.70(Y) 271.8	42.0 19.1