

SPECIFICATION

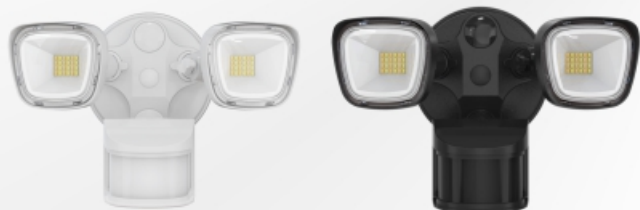
NEXLEDS®

NEXLEDS LTD



3CCT Changeable
Flip Switch to change 3CCT

3000K 4000K 5000K



Wet
Location



ETL
Intertek
5002143



VIDEO

3CCT LED Security Light

NX-SLWS-20W-W3C / NX-SLWS-20W-B3C **20W**

Specification

Product Name	3CCT LED Security Light	
Model NO.:	NX-SLWS-20W-W3C	NX-SLWS-20W-B3C
Specification	AC120V; 50/60Hz; 20W	
Working Temp	-20~45(°C)	
Power Factor	>0.9	
CRI(ra)	>80	
Color	White Color	Black Color
Material	Aluminum+PC	
Light Source	SMD 2835 Chip	
Lumen	1800~2000 lm	
Life Time	30000 hrs	
Beam Angle	100°	
Motion Sensor Angle	270°	
Product Size	9.9*6.7*6.6 inch (251*171*168mm)	
Applicable Environment	Wet Location	
Application	Courtyards, Garages, Driveways, Gardens	
Warranty	5 years	
Standard	ETL	
Color Temp	3000K-4000K-5000K Adjustable	

Feature:

- Easy installation
- Using high-brightness LED chip, energy saving and environmental protection, stable lighting, long service life
- Optical grade lampshade, good light, anti-aging, not easy to damage
- High thermal conductivity aluminum alloy shell, good heat dissipation, vacuum dust-free spraying, anti-corrosion, no peeling
- Strict waterproof treatment technology, in line with international waterproof and dustproof standards
- Radiation protection design, will not affect the lighting effect due to weather
- Charming appearance and fashionable

Product Function:

(1). On-Time Mode:

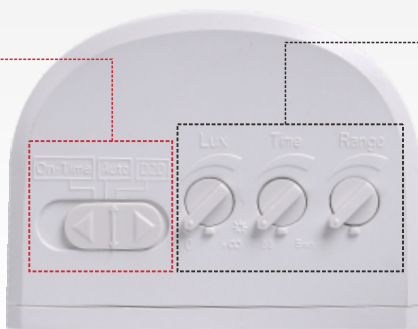
Light is ON continuously, both daytime and night.

(2). AUTO mode:

Turn off at daytime. Turn on at night when motion is detected, it will last from 5 seconds to 5 minutes depending on your setting on the "Time" knob.

(3). D2D mode:

Turn on at dusk and night, turn off at dawn and daytime.

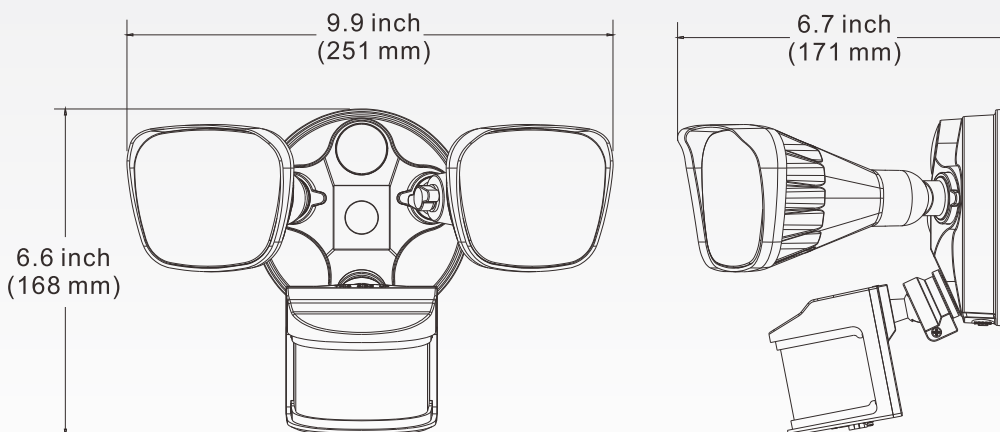


(1). Lux: It means the time to light up. If you rotate to the moon position, the light will on at night, and if you rotate to the sun position, the light will on during the daytime and night.

(2). Time: (Min 5 sec-Max 5 min). If you setting in 5s, it means when detected the light, the light will on and last for 5 seconds.

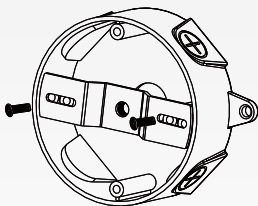
(3). Range: (Min 19ft-Max 70ft). If you setting in 60ft, it means the infrared detection area is up to 60ft/270° sensing angle.

Dimension:

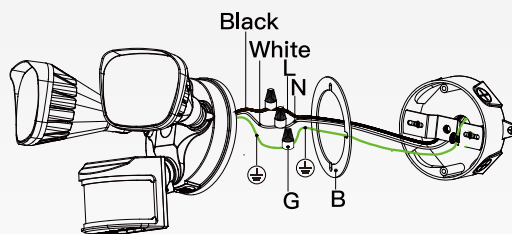


Instruction:

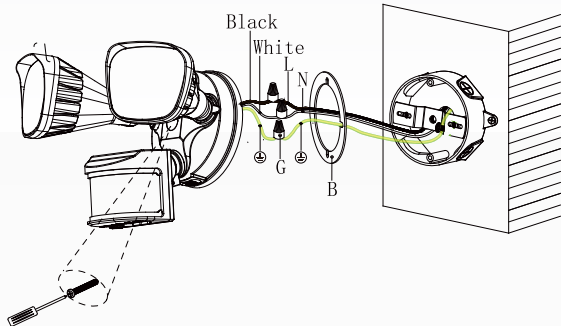
1. Install the bracket, align the bracket holes with the junction box holes, and lock the bracket with the junction box set screw.



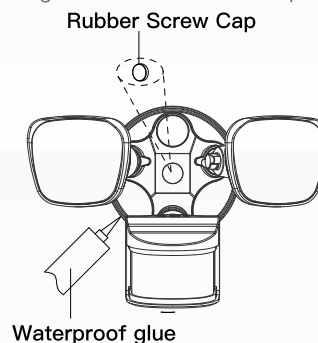
2. Connect the wires to the lamp body and connect the wires on the lamp body to the wires in the junction box via terminal (G). These wires must pass through the sponge pad (B).



3. Installed the light on the spongy cushion and bracket by tie bolt, gasket and rubber ring.



4. Cover the screw cap, use waterproof glue seal the rear cover and the light to make sure the lamp waterproof.



Kits:



Accessories name	Specification Description	Quantity
First generation safety lamp screw waterproof ring	Silicone rubber\white\shaw 60 degrees\ Φ 11.5 * 7.5 * 1.5 mm	1PCS
First generation safety lamp holder	Stamping \ Φ 25 * 98.5 * 10 1.7 mm thick\ galvanized iron\with M8 thread\ground hole in the side	1PCS
Fastener screws	M8*65mm\ cross ball screw \ head 13mm \ tooth pitch 1.25mm\304 stainless steel	1PCS
Fastener screws	M3*8mm\ cross hexagonal head anti-slip screw \ iron plated green zinc \ROHS	1PCS
Fastener screws	10 # H3/8 \ coarse thread\thread diameter 4.7 mm ball head \ american-made cross galvanized iron\ROHS	2PCS
Fastener screws	American 5/32-3/4 \ ball head \ thread diameter 4.0 length 20mm \ iron galvanized	2PCS
American screw terminal	P3 \ Pressure resistance 300V \ Temperature resistance 105 °C \ Fire rating UL94V-2 \ φ12.5*22mm\ ROHS	3PCS
First generation safety lamp rubber cover	Silicone rubber\white\Φ17.2*6 mm\SS-G70-XJG-A0\ in California in 65\ROHS	1PCS
Generation safety lamp dust mat	EVA\white\ back glue\heat-resistant120°C\ Φ110*55*3mm	1PCS

