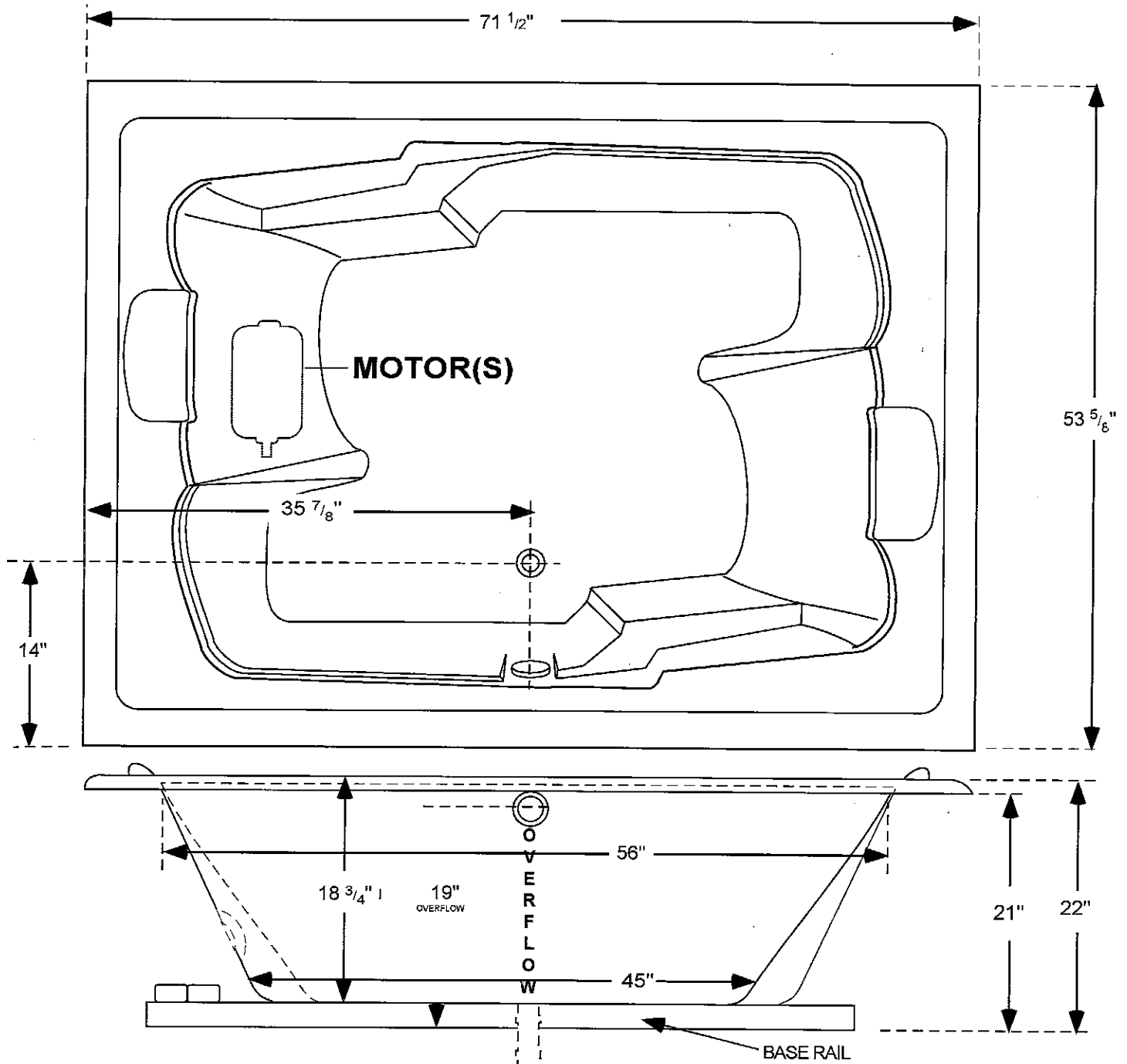


ALL SPECIFICATIONS VALID AS OF 1/10/2023
AND SUPERSEDES ALL PREVIOUS PUBLISHED DATA

CALL FOR CUSTOM PUMP LOCATION

7254



RECOMMEND DO NOT BUILD TUB SURROUND PRIOR TO DELIVERY
MANUFACTURER NOT RESPONSIBLE FOR ERRORS IN CONSTRUCTION OF
TUB SURROUND BUILT PRIOR TO RECEIVING TUB.
SEE INSTALLATION BOOKLET,
All measurements are plus or minus 1", and are subject to change without notice.