

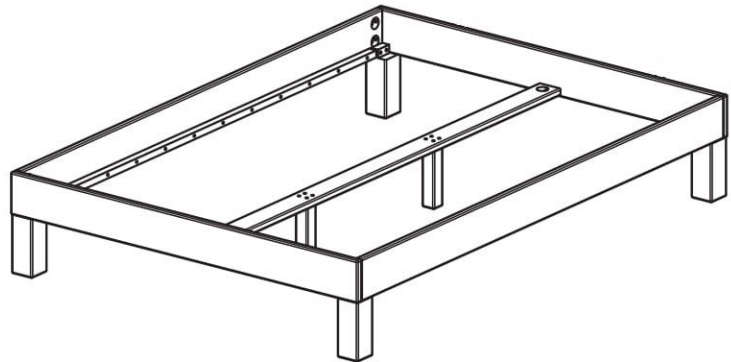
Assembly instructions

Jana Solid wood bed



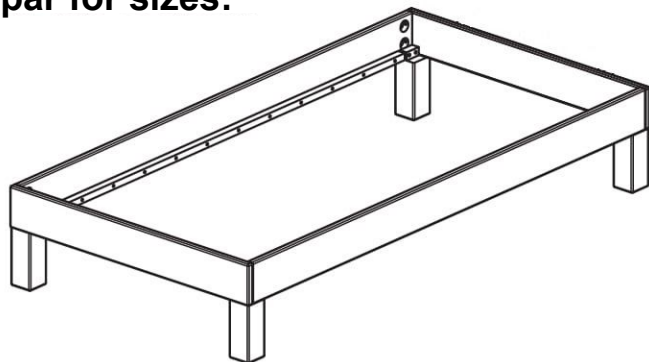
Version **A** WITH centre spar for sizes:

140 x 200 cm
160 x 200 cm
180 x 200 cm
200 x 200 cm

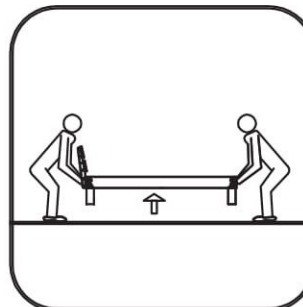


Version **B** WITHOUT centre spar for sizes:

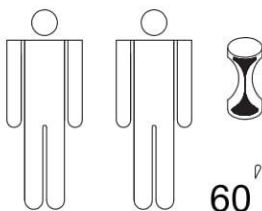
90 x 200 cm
100 x 200 cm
120 x 200 cm



Wichtiger Hinweis
Important information
Belangrijke informatie
Information importante



Bett nicht verschieben.
Nur angehoben verstellen.
Move not only raises
bed adjusted.
Bed niet verschuiven, men
moet het bed ophe verplaatsen.
Ne pas ousser le lit,
il faut le porter pour deplace



60^p



Please do not use an
electric screwdriver!



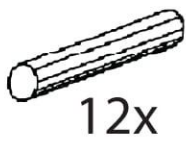
Required assembly tools included in the scope of
delivery

Assembly instructions

Jana Solid wood bed



Version **A** Screw set:



12x



10x



10x



10x



10x

For connecting the side sections to the head and foot sections and for attaching the centre rail to the head and foot sections.



8x

Imbus wood screw for fastening the 2 feet to the centre spar with 4 screws each.



8x

Allen screw for fastening the 4 feet to the side panels with 2 screws each.

Version **B** Screw set:



8x



8x



8x



8x



8x

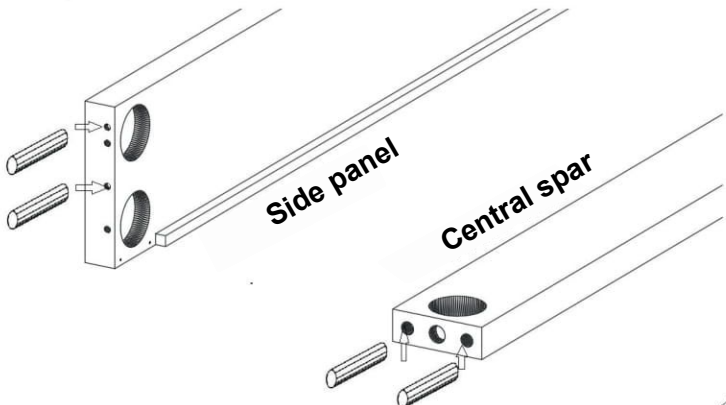
For connecting the side sections to the head and foot sections.



8x

Allen screw for fastening the 4 feet to the side panels with 2 screws each.

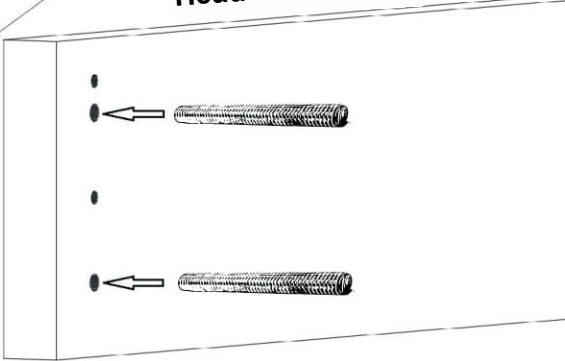
1



Side panel

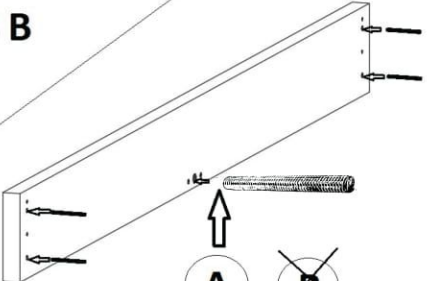
Central spar

Head and foot section



x12 A

x8 B

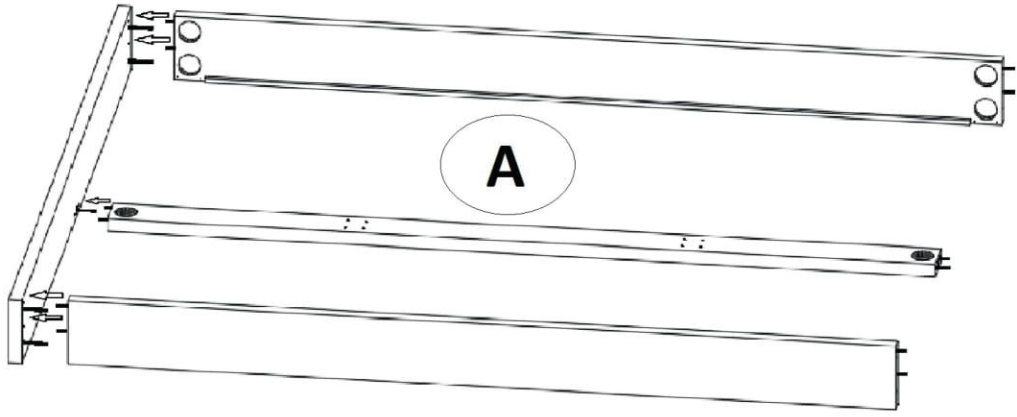


A

B

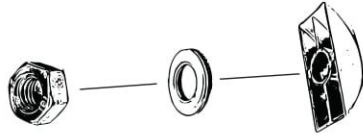
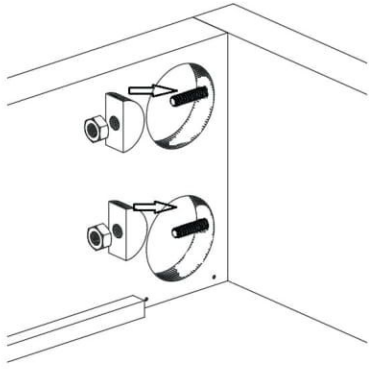
x10 A x8 B

2

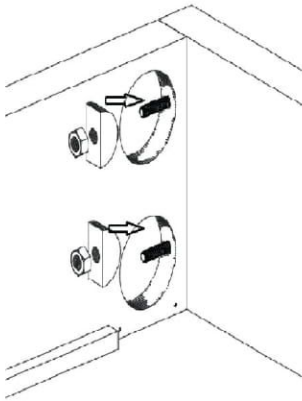
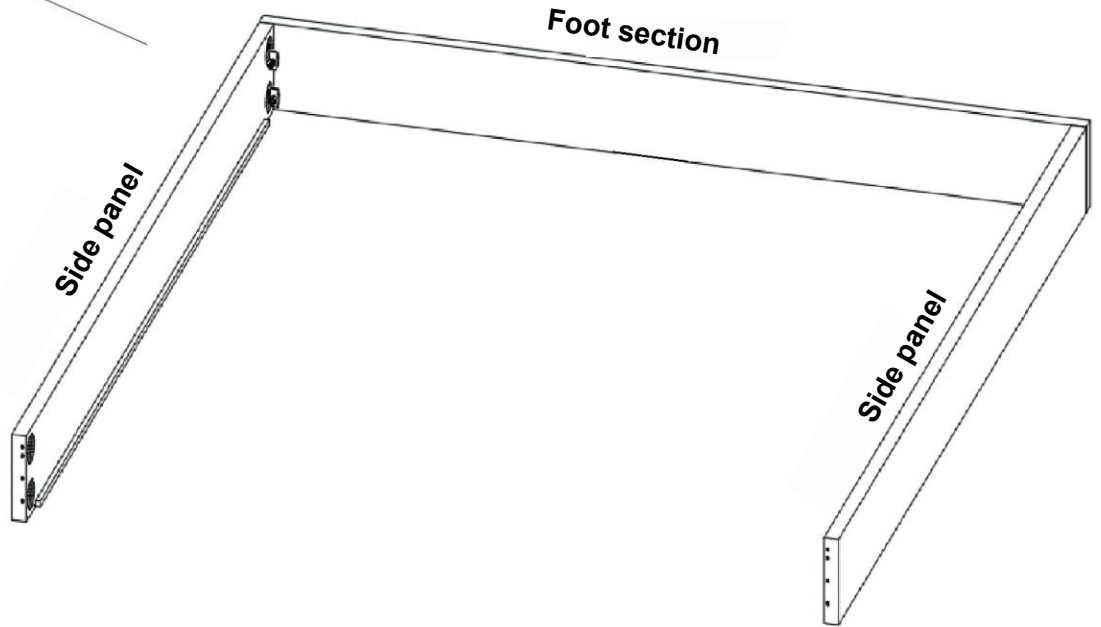


A

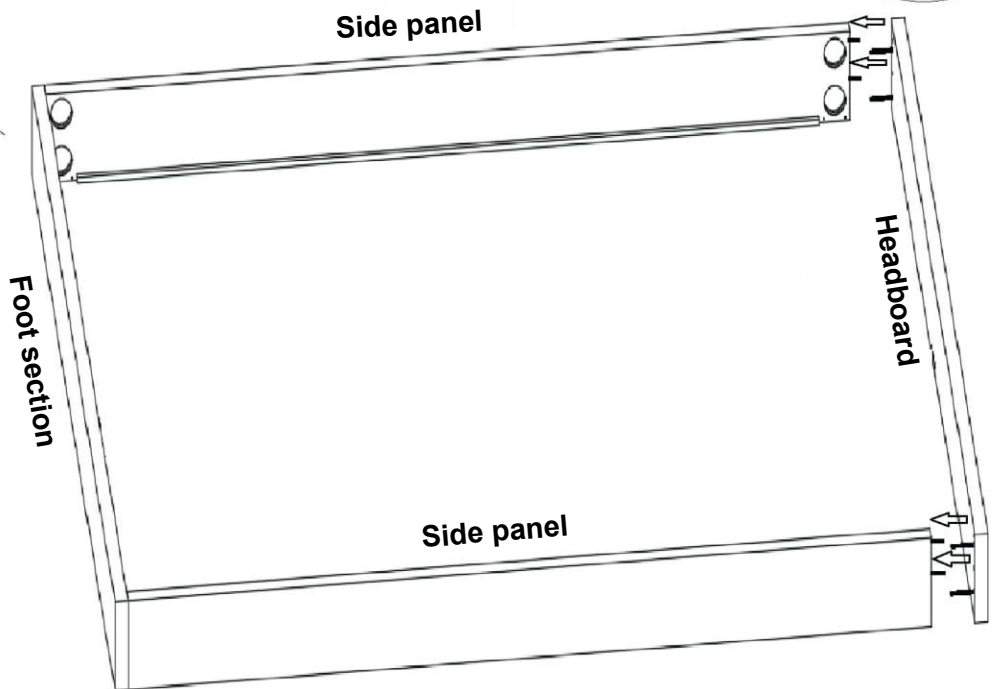
B



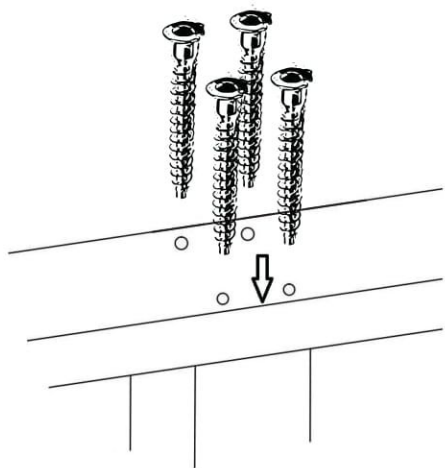
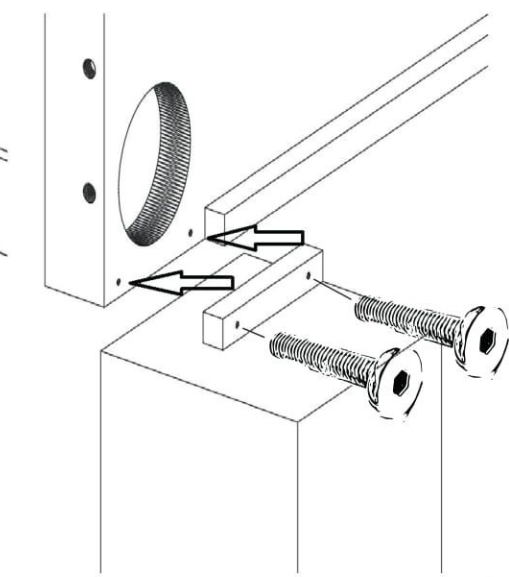
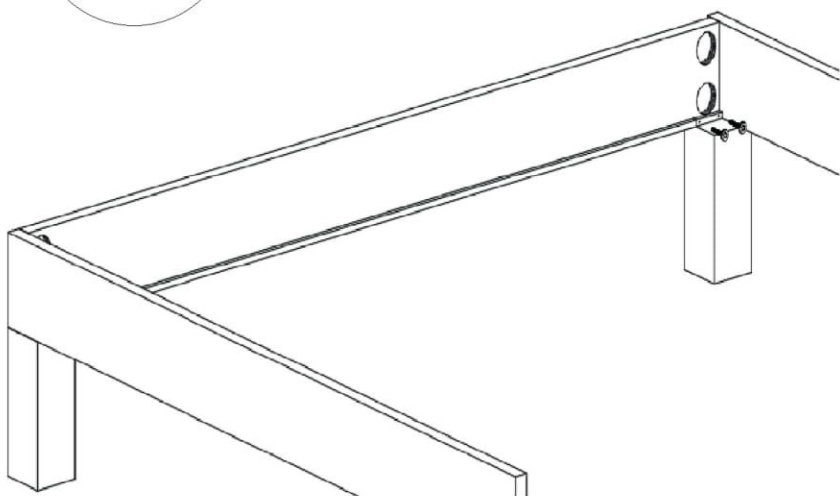
3



4



5



6

A ~~**B**~~

