



**pio**  
*style*

# PRODUCT CATALOG

July 2023



## PRODUCT CATALOGUE

- Pg 2 - 16      **INCOM BOX SERIES**
- Pg 17 - 21     **CHEF SERIES**
- Pg 22 - 30     **EF2335 SLIM SOFT CLOSING DRAWER SYSTEM**
- Pg 31 - 37     **STAINLESS STEEL SERIES**
- Pg 38 - 39     **MODULAR SERIES**
- Pg 40 - 43     **CABINET DRAWER SERIES**
- Pg 44 - 54     **WARDROBE SERIES**
- Pg 55 - 66     **SLIDING DOOR SERIES**
- Pg 67 - 84     **LED SERIES**
- Pg 85 - 88     **LIFT SYSTEM SERIES**
- Pg 89 - 92     **BED HARDWARE SERIES**
- Pg 93 - 96     **TABLE SLIDES SERIES**
- Pg 97 - 102    **FURNITURE FITTING SERIES**





pio

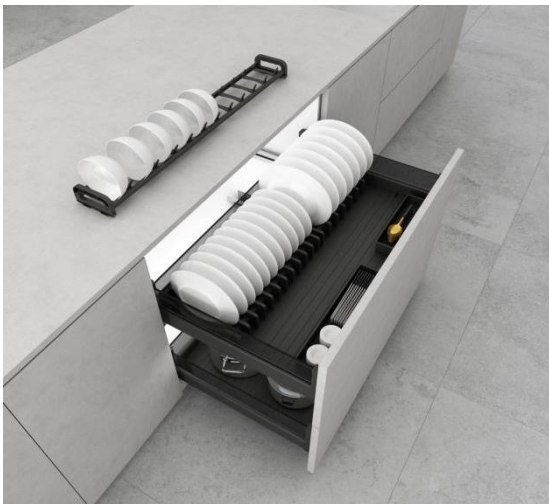
*style*

INCOM BOX  
SERIES



# FD9027 Aluminium Tableware Storage Drawer

# FD9028 Aluminium Kitchen Utensil Storage Drawer



Discover suitable storage options for cooking equipment, kitchen utensils, tableware, and other essentials, optimize space utilization in your kitchen by incorporating stackable storage solutions, allowing you to maximize both style and functionality while keeping your utensils easily accessible.

Model	Dimension (mm)	Colour	Cabinet Size	Model	Dimension (mm)	Colour
FD9027-600TP	564 x 190 x 470	Grey	600	FD9028-600TP	564 x 190 x 470	Grey
FD9027-800TP	764 x 190 x 470		800	FD9028-800TP	764 x 190 x 470	
FD9027-900TP	864 x 190 x 470		900	FD9028-900TP	864 x 190 x 470	





## FD9029 Aluminium Spice & Seasoning Storage Drawer



You have the freedom to arrange the module combination which includes a chopstick storage box and knife holder. This setup facilitates relaxed organization, ensuring that everything is neatly arranged and easily accessible.

Model	Dimension (mm)	Colour	Cabinet Size
FD9029-300TP	264 x 620 x 470	Grey	300
FD9029-400TP	364 x 620 x 470		400

## FD9031 Aluminium Multipurpose Storage Drawer



Create functional and aesthetically pleasing spaces that make a powerful statement with the versatile super module combination, allowing for flexible arrangement and organization.

Model	Dimension (mm)	Colour	Cabinet Size
FD9031-600TP	564 x 190 x 470	Grey	600
FD9031-800TP	764 x 190 x 470		800
FD9031-900TP	864 x 190 x 470		900



## FD9032 Aluminium Side Pull-Out Storage Drawer



(Left-hand display)



(Right-hand display)

The side pull structure design, available for both left and right-hand sides, features three-dimensional adjustment for quick and easy assembly. This design allows it to fit seamlessly into ultra narrow cabinet body spaces as small as 150mm. Additionally, even items positioned at the back remain easily accessible.

Model	Dimension (mm)	Colour	Cabinet Size
FD9032-150TP (L/R)	120 x 620 x 480	Grey	150

## FD9036 Aluminium Compartment Storage Drawer



The design of "drawer within drawer" allows your drawers to better utilize their storage capabilities, with the adjustable drawer dividers make it effortless to arrange and access tableware and seasoning, allowing for vertical organization and preventing collisions.

Model	Dimension (mm)	Colour	Cabinet Size
FD9036-600DG	564 x 280 x 470	Grey	600
FD9036-800DG	764 x 280 x 470		800
FD9036-900DG	864 x 280 x 470		900





# FD9037

# All In One Aluminium Storage Drawer



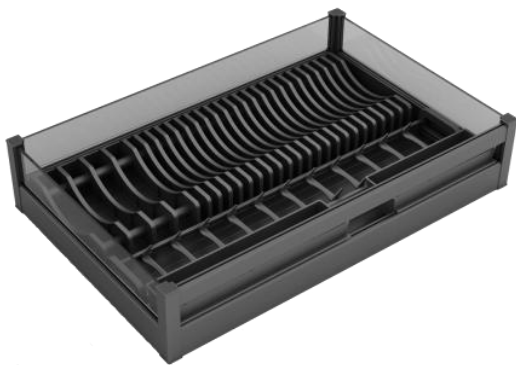
Optimize your storage space with the three layers of storage, providing ample room for various items, drawer dividers feature movable separators for flexible arrangement. The first and second layers are ideal for storing seasonings, knives, and cooking utensils, while the spacious third layer can accommodate items such as 5L cooking oil and medium-sized cruets.

Model	Dimension (mm)	Colour	Cabinet Size
FD9037-400DG	364 x 580 x 470	Grey	400
FD9037-500DG	464 x 580 x 470		500



# FD9038 Aluminium Tableware Storage Inner Drawer

# FD9039 Aluminium Kitchen Utensil Storage Inner Drawer



This inner drawer pattern storage drawer discover suitable storage options for cooking equipment, kitchen utensils, tableware, and other essentials, optimize space utilization in your kitchen by incorporating stack-able storage solutions, allowing you to maximize both style and functionality while keeping your utensils easily accessible.

Model	Dimension (mm)	Colour	Cabinet Size	Model	Dimension (mm)	Colour
FD9038-600TPN	564 x 190 x 470	Grey	600	FD9039-600TPN	564 x 190 x 470	Grey
FD9038-800TPN	764 x 190 x 470		800	FD9039-800TPN	764 x 190 x 470	
FD9038-900TPN	864 x 190 x 470		900	FD9039-900TPN	864 x 190 x 470	





## FD9040 Aluminium Side Hang Pull-Out Storage Drawer



(Left-hand display)



(Right-hand display)

Designed to accommodate narrow spaces, the storage drawer is available for both left and right-hand sides, alleviating concerns about limited space. It features four distinct compartments, providing dedicated storage for chopstick storage boxes and knife holders, seasoning canisters, medium-sized bottles, and a hanger for cooking utensils.

Model	Dimension (mm)	Colour	Cabinet Size
FD9040-250DG (L/R)	218 x 580 x 470	Grey	250

## FD9042 Aluminium Double-Tier Storage Drawer

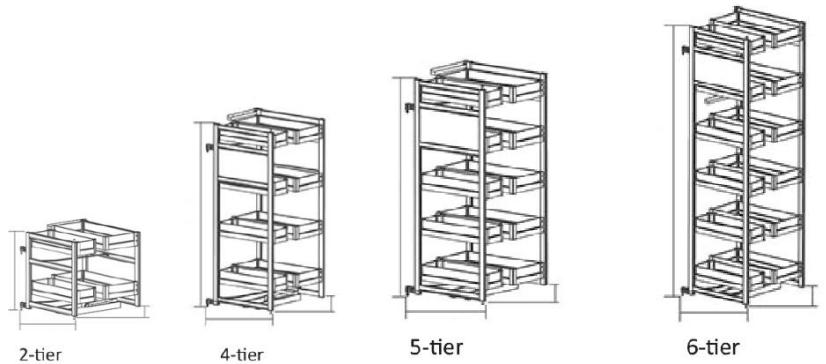


You can maximize the storage capacity of the floor cabinet by efficiently utilizing the space on the door panel, allowing you to store a variety of kitchen and dishwasher supplies.

Model	Dimension (mm)	Colour	Cabinet Size
FD9042-400TP	400 x 500 x 200	Grey	400



# FD9046 Aluminium Tall Larder Storage Cabinet



This storage drawer comes in 2, 4, 5, and 6 tiers, providing a convenient and organized solution for cabinets ranging from 680mm to 2000mm in height. It ensures a relaxed and efficient storage experience for all your items.

Model	Dimension (mm)	Colour	Cabinet Size
FD9046-02450DG	420 x 520 x 520	GREY	450
FD9046-04450DG	420 x 1180 x 520		
FD9046-05450DG	420 x 1380 x 520		
FD9046-06450DG	420 x 1680 x 520		





# FD9047 Aluminium Lift-Up Storage Basket



The 2-tier lifting storage drawer is designed to keep everything organized in a relaxed manner, making it easier to access items from a hanging cabinet. It offers the convenience of freely adjusting the height, allowing for easy retrieval of stored items.

Model	Dimension (mm)	Colour	Cabinet Size
FD9047-800DG	764 x 550 x 275	Grey	800
FD9047-900DG	864 x 550 x 275		900



# FD9049 Aluminium 4+2 Tall Unit Pull Out Basket



The pull-out high cabinet storage drawer requires only 200mm of space. This separate cabinet storage accessory is available in both 4-layer and 2-layer configurations. It offers a convenient solution for organizing and accessing items, making the most of your cabinet space.

Model	Dimension (mm)	Colour	Cabinet Size
FD9049-200DG(L/R)	164 x 1790 x 475	Grey	200





# FD9050 Aluminium Under Sink Wide U Shape Drawer



Maximize the utilization of the space beneath your sink by conveniently storing cleaning equipment like sponges, cleansers, and hand gloves within easy reach and visibility. Enjoy the versatility of a 2-in-1 function that serves as both a regular drawer and an inner drawer.

Model	Dimension (mm)	Colour	Cabinet Size
FD9050-800DG	764 x 146 x 463	Grey	800
FD9050-900DG	864 x 146 x 463		900

# FD9051 Aluminium Under Sink U Shape Drawer



This model is even more spacious than the previous one, it is typically installed in the lower section of the sink area. Maximize the utilization of the space beneath your sink by conveniently storing cleaning equipment like sponges, cleansers, and hand gloves within easy reach and visibility. Enjoy the versatility of a 2-in-1 function that serves as both a regular drawer and an inner drawer.

Model	Dimension (mm)	Colour	Cabinet Size
FD9051-800DG	764 x 146 x 463	Grey	800
FD9051-900DG	864 x 146 x 463		900



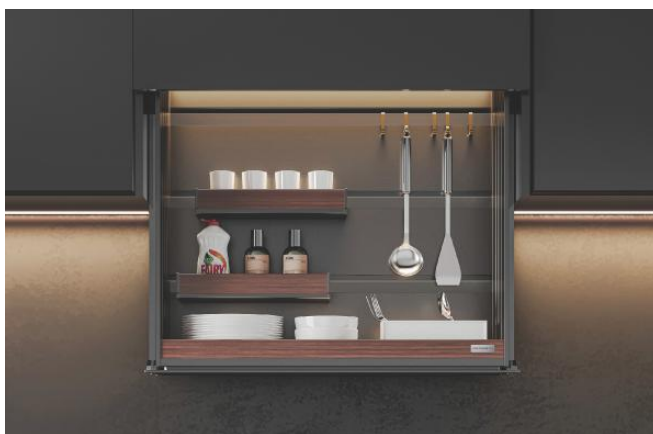
# FD9052 Aluminium Bathroom Cabinet Storage Drawer



Maximize the utilization of the space beneath your bathroom sink to enhance both style and functionality by conveniently storing bathroom essentials where they are easily visible and accessible. Create suitable storage for bathroom equipment, including items such as a hair dryer, toothbrush, toothpaste, face care products, and more.

Model	Dimension (mm)	Colour	Cabinet Size
FD9052-600DG	564 x 130 x 468	Grey	600
FD9052-800DG	764 x 130 x 468		800

# FD9056 Aluminium Intelligent Touch Sensor Lifting Basket



Enhance your storage experience with a smart and gentle storage drawer designed for wall cabinets. This innovative solution incorporates a full panel touch sensor, enabling effortless control over the lift, fall, and stopping mechanism of the system.

Model	Dimension (mm)	Colour	Cabinet Size
FD9056-800DG	800 x 700 x 330	Grey	800
FD9056-900DG	900 x 700 x 330		900





# FD9057 Household Folding Ladder



The FD9057 folding ladder is a versatile and convenient solution for accessing out-of-reach areas. It features non-slip ribbed rubber treads for enhanced grip and stability. The ladder can be easily folded for compact storage in areas with limited space.

Model	Dimension (mm)	Layer
FD9057-GY	420 x 570 x 570	3

# FKP9001 Expandable Stainless Steel Drain Basket



The product provides versatile compatibility and stability for sinks, featuring a strong stainless steel pipe for reliable load-bearing. Its widened ears prevent sink displacement and allow for easy attachment of the drain basket, enhancing cleaning and drainage. The ABS edging ensures a non-slip grip, protecting the sink without causing harm.

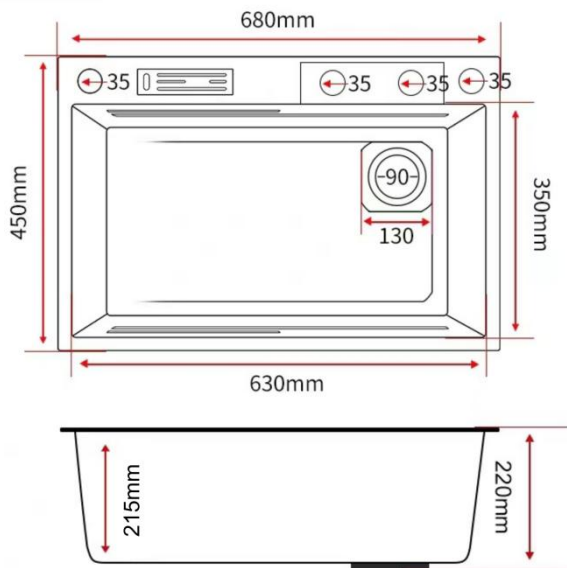
Model	Dimension (mm)
FKP9001-GY	(270-420) x 90 x 215



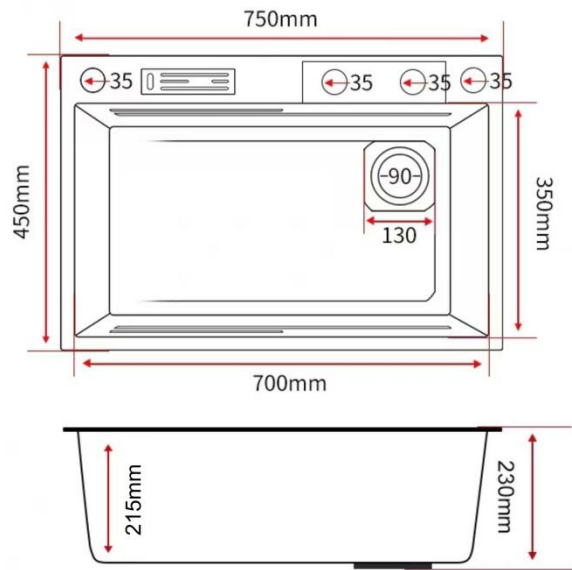
# FKS9001 Stainless Steel Multi-function Kitchen Sink



### FKS9001-6845BK



### FKS9001-7545BK



This high-quality stainless steel sink is designed for superior strength and durability. It features a rust-resistant brushed nano-coating finish and with a sloping bottom, drain grooves, and rounded corners, it ensures smooth water drainage and effortless cleaning. The sink also minimizes noise and vibration with its sound-absorbing material. It is hygienic, food-friendly, and a great addition to any home.

Model	Dimension (mm)	Colour
FKS9001-6845BK	680 x 220 x 450	Dark Grey
FKS9001-7545BK	750 x 220 x 450	

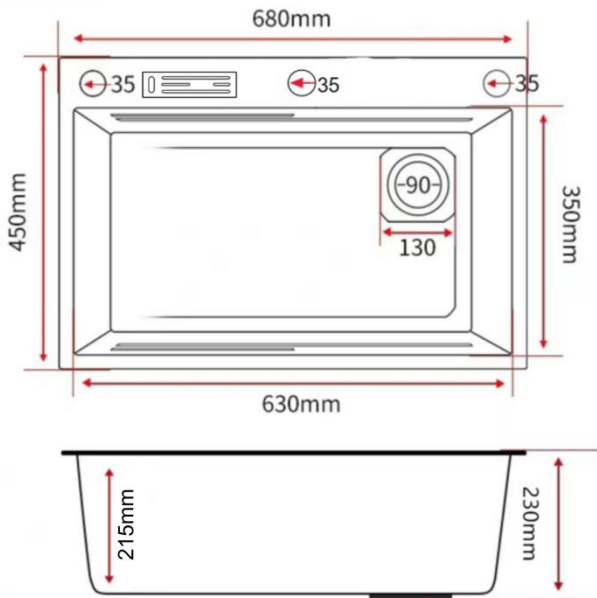


# FKS9002

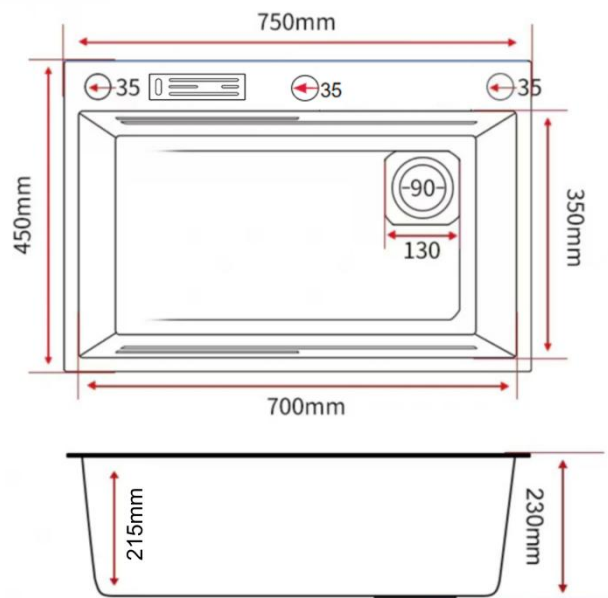
# Stainless Steel Kitchen Sink



## FKS9002-6845GM



## FKS9002-7545GM



This model is similar to FKS9007 with minor differences. However, this model does not include a faucet and is available in a light gray color.

Model	Dimension (mm)	Colour
FKS9002-6845GM	680 x 230 x 450	Dark Grey
FKS9002-7545GM	750 x 230 x 450	





pio

*style*

CHEF  
SERIES



# FD8001 Kitchen Tableware Storage Drawer Set



This model has the same functionality as the FD9027 & FD9028. The difference in this "Chef" series lies in the shallower drawer depth and the use of medium-grade aluminum. In contrast, the "Incombox" series uses premium-grade aluminum.

Model	Dimension (mm)	Colour	Cabinet Size
FD8001-800TP	764 x 181 x 425	Grey	800
FD8001-900TP	864 x 181 x 425		900

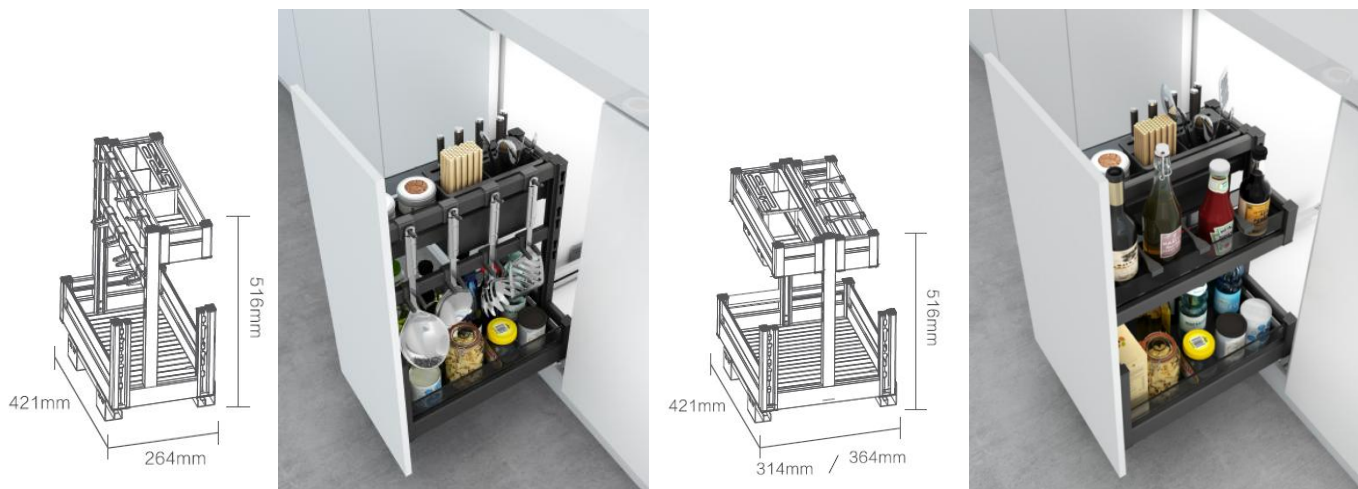
# FD8002 Kitchen Tableware Inner Storage Drawer Set



This model has the same functionality as the FD9038 & FD9039. The difference in this "Chef" series lies in the shallower drawer depth and the use of medium-grade aluminum. In contrast, the "Incombox" series uses premium-grade aluminum.

Model	Dimension (mm)	Colour	Cabinet Size
FD8002-800TP	764 x 181 x 425	Grey	800
FD8002-900TP	864 x 181 x 425		900

## FD8003 Kitchenware Seasoning Storage Drawer



Model	Dimension (mm)	Colour	Cabinet Size
FD8003-300DG	264 x 516 x 425	Grey	300
FD8003-350DG	314 x 516 x 425		350
FD8003-400DG	364 x 516 x 425		400

## FD8004 All-in-one Kitchenware Storage Drawer



Model	Dimension (mm)	Colour	Cabinet Size
FD8004-300DG	264 x 485 x 460	Grey	300
FD8004-350DG	314 x 485 x 460		350
FD8004-400DG	364 x 485 x 460		400



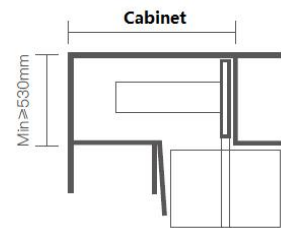
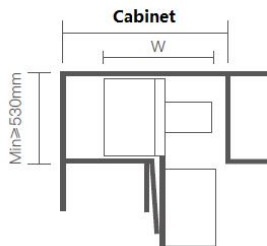
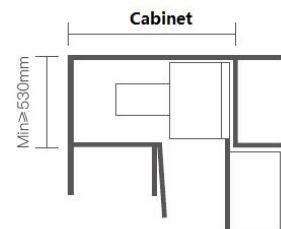
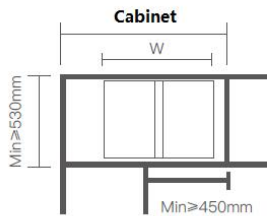


Chef Series



# FD8005

# Kitchen Cabinet Corner Storage Drawer



This advanced double-layered corner storage drawer with a full pull-out design maximizes the utilization of corner space. Enhance the style and functionality of your kitchen by storing kitchen utensils where they are easily visible and accessible.

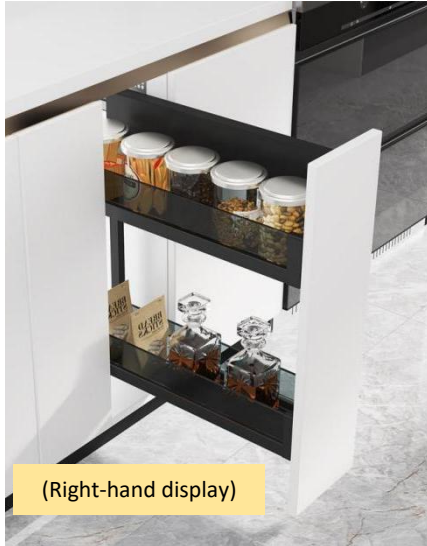
Model	Dimension (mm)	Colour	Cabinet Size (mm)
FD8005-450DG	900 x 620 x 530	Grey	450



# FD8006 Slim Seasoning Storage Drawer



(Left-hand display)



(Right-hand display)

Model	Dimension (mm)	Colour	Cabinet Size
FD8006-250TP(L/R)	214 x 580 x 480	Grey	250

# FD8007 Seasoning Storage Drawer with Divider



Model	Dimension (mm)	Colour	Cabinet Size
FD8007-200TP	164 x 430 x 425	Grey	200



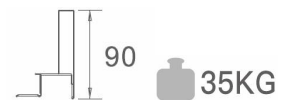


*style*

EF2335 SERIES



# EF2335-PI09GY Aluminium Slim Soft Closing Drawer System

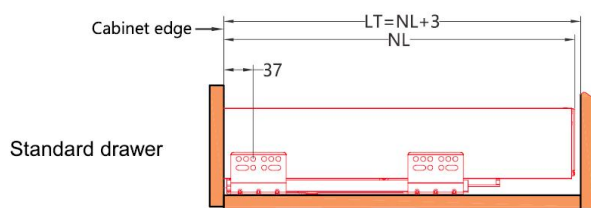


Model	Dimension
EF2335-PI09012GY	H 90mm x W 300mm
EF2335-PI09014GY	H 90mm x W 350mm
EF2335-PI09016GY	H 90mm x W 400mm
EF2335-PI09018GY	H 90mm x W 450mm
EF2335-PI09020GY	H 90mm x W 500mm

## Installation Dimension (mm)

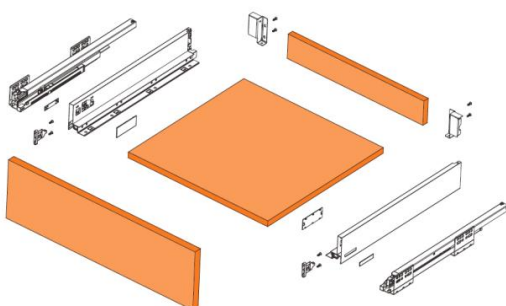
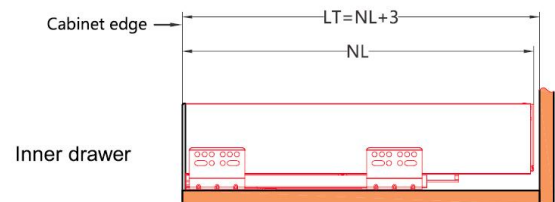
### Standard Drawer Installation Dimension

NL= Slide length  
LT= Internal cabinet depth

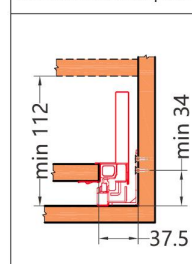


### Inner Drawer Installation Dimension

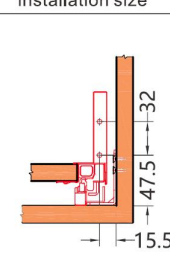
NL= Slide length  
LT= Internal cabinet depth



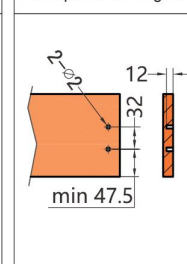
### Internal cabinet space



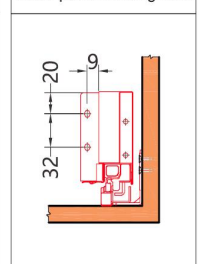
### Front connector installation size



### Front panel drilling size



### Rear panel drilling size

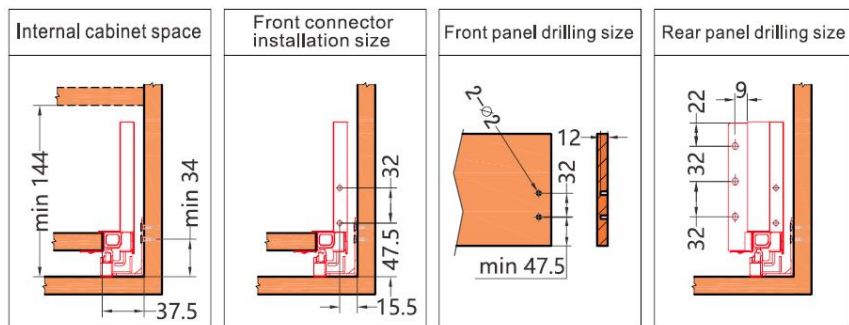
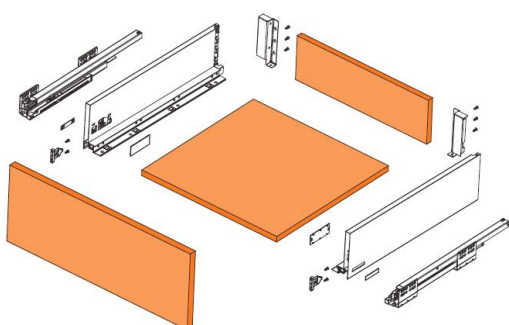
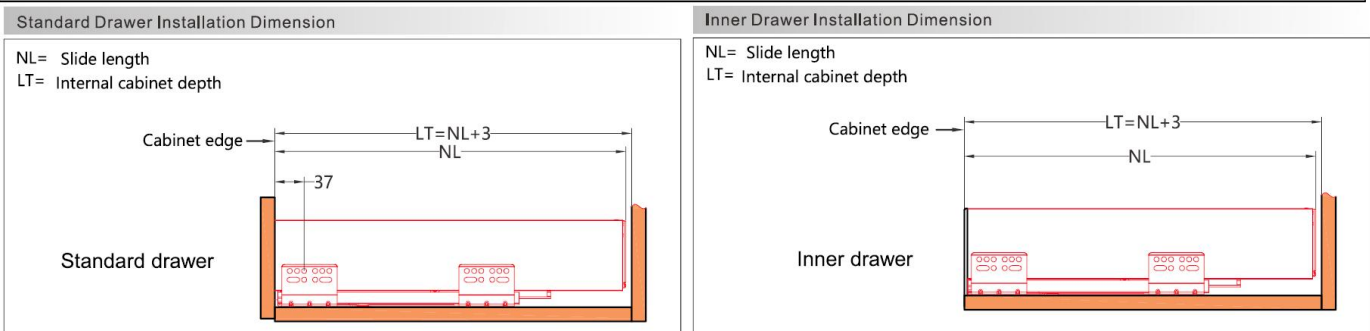


# EF2335-PI122GY Aluminium Slim Soft Closing Drawer System



Model	Dimension
EF2335-PI12212GY	H 122mm x W 300mm
EF2335-PI12214GY	H 122mm x W 350mm
EF2335-PI12216GY	H 122mm x W 400mm
EF2335-PI12218GY	H 122mm x W 450mm
EF2335-PI12220GY	H 122mm x W 500mm

## Installation Dimension (mm)

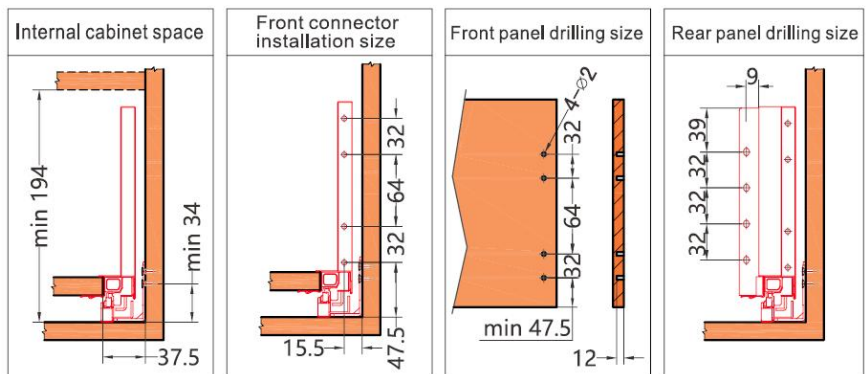
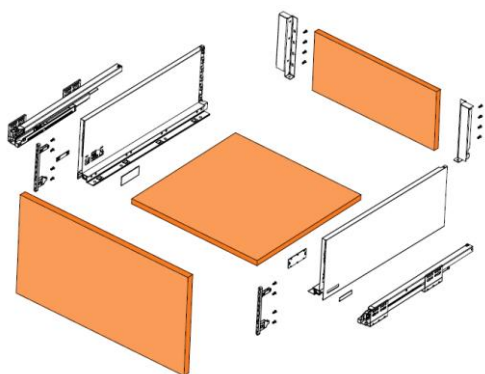
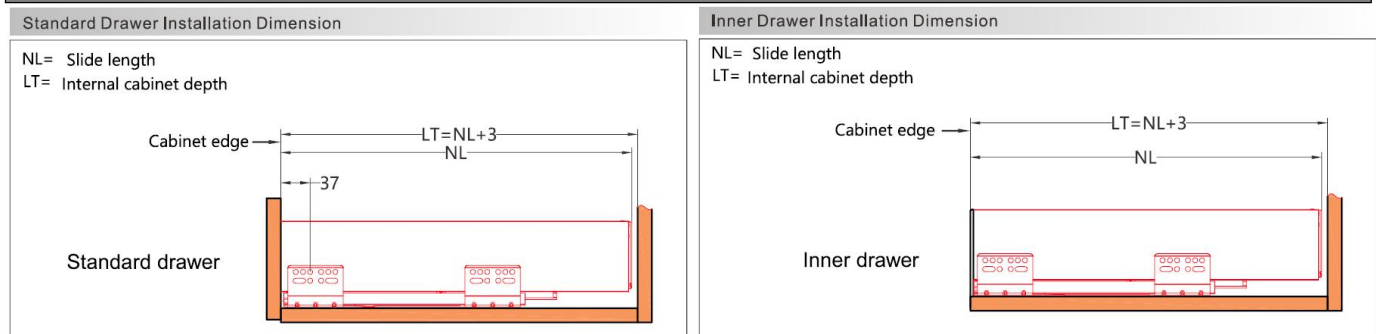


# EF2335-PI172GY Aluminium Slim Soft Closing Drawer System



Model	Dimension
EF2335-PI17212GY	H 172mm x W 300mm
EF2335-PI17214GY	H 172mm x W 350mm
EF2335-PI17216GY	H 172mm x W 400mm
EF2335-PI17218GY	H 172mm x W 450mm
EF2335-PI17220GY	H 172mm x W 500mm

## Installation Dimension (mm)





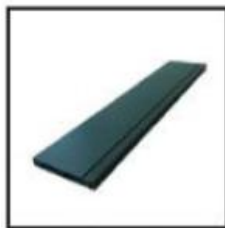


# EF2335 Inner Drawer Front Panel

Inner Drawer with 90mm height side panel slides



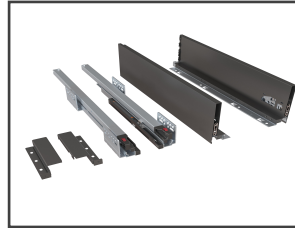
## Components part



Front panel



T-front bracket



Side panel with drawer slides

Front panel	T-front bracket	Side panel with drawer slides
<p>EP2002-106900GY (900 x 106 x 12mm)</p> <p>EP2002-1061200GY (1200 x 106 x 12mm)</p>	<p>EP2003-107GY (107 x 52 x 54mm)</p>	<p>EF2335 slim soft closing drawer system EF2335-PI090 (12/14/16/18/20) GY</p>

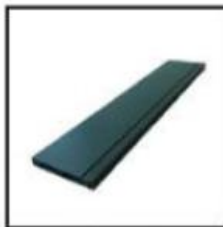


# EF2335 Inner Drawer Front Panel

Inner Drawer with 122mm height side panel slides



## Components part



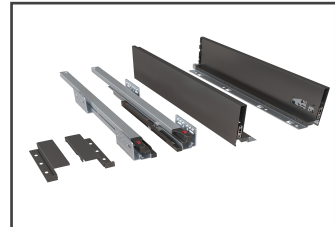
Front panel



T-front bracket



Cross square rail



Side panel with drawer slides

Front panel	T-front bracket	Cross square rail	Side panel with drawer slides
EP2002-0911000GY (1000 x 91 x 12mm)	EP2003-139GY (139 x 52 x 54mm)	EP2004- 17111200GY (1200 x 17 x 11mm)	EF2335 slim soft closing drawer system EF2335-PI122 (12/14/16/18/20) GY
EP2002-0911200GY (1200 x 91 x 12mm)			

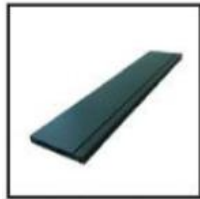


# EF2335 Inner Drawer Front Panel

Inner Drawer with 172mm height side panel slides



## Components part



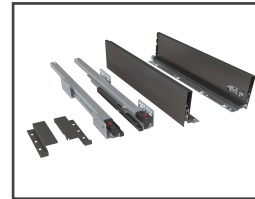
Front panel



T-front bracket



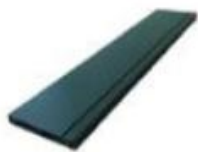
Cross square rail



Side panel with drawer slides

Front panel	T-front bracket	Cross square rail	Side panel with drawer slides
EP2002-106900GY (900 x 106 x 12mm)	EP2003-189GYN (189 x 52 x 54mm)	EP2004-17111200GY (1200 x 17 x 11mm)	EF2335 slim soft closing drawer system EF2335-PI172 (12/14/16/18/20) GY
EP2002-1061200GY (1200 x 106 x 12mm)			

## Glass Inner Drawer Components part



+



+



=



Front Panel EP2002-106900GY EP2002-1061200GY	Glass Connector EP2007-189GY	EF2335 slim soft closing drawer system EF2335-PI172 (12/14/16/18/20) GY
--	---------------------------------	--



# EF2335 Multiple Usage Of Panel

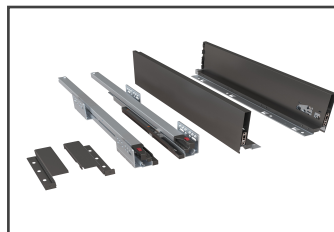
## Cabinet Drawer with 172mm height side panel slides



### Components part



Rear connector + square bar



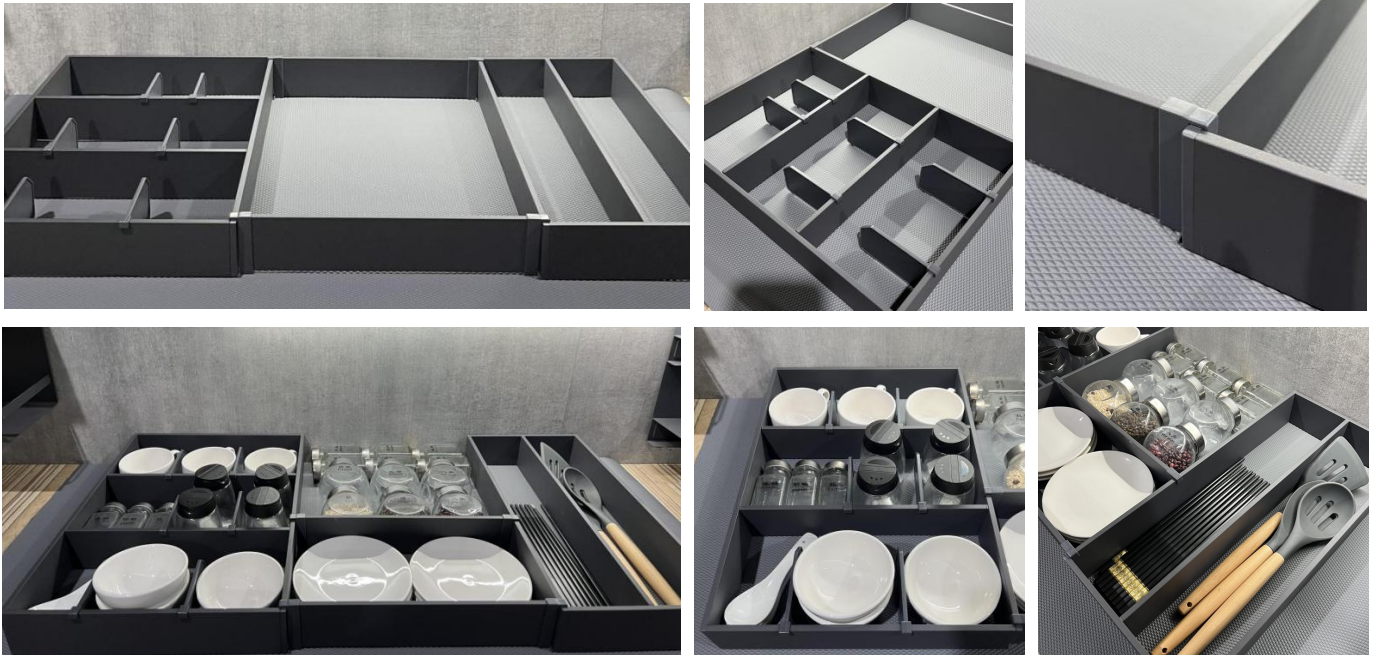
Side panel with drawer slides

Rear connector + square bar	Side panel with drawer slides
<p>EP2006-400GY ( 30mm rear connector + 400mm square bar )</p> <p>EP2006-450GY ( 30mm rear connector + 450mm square bar )</p> <p>EP2006-500GY ( 30mm rear connector + 500mm square bar )</p>	<p>EF2335 slim soft closing drawer system EF2335-PI172 (16/18/20) GY</p>



# FD9916

# Aluminium Divider Frame 3-in-1

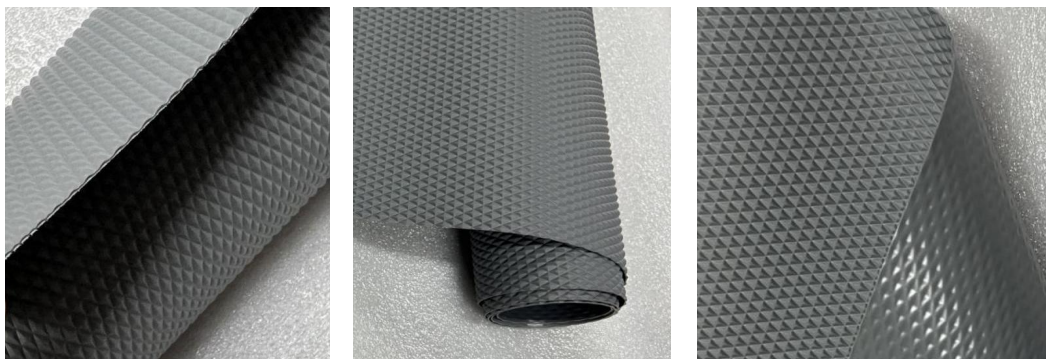


This product contains 3 aluminum compartments, along with adjustable dividers and panels to prevent items from colliding. It effectively maximizes space efficiency within your drawer, providing storage for a variety of kitchen equipment, including kitchenware, utensils, seasonings, and more.

Model	Dimension (mm)	Colour	Cabinet Size
FD9916-900	822 x 421 x 59	Grey	900

# FE9104

# Anti Slip Drawer Mat



Keep your items in drawers from being a hazard to you with these anti slip mats. It can be cut into whatever size you need, never be scared of reaching for a glass jar, sliding around and bumping into things ever again. When the liner is stained with oil or other dirt, you can easily wipe the dirt with a damp cloth and fast to dry.

Model	Dimension	Colour
FE9104-001GY	500mm x 1m	Grey
FE9104-020GY	500mm x 20 m	





pio

*style*

STAINLESS STEEL

SERIES



## FD9002 Stainless Steel Tableware Storage Drawer



Model	Dimension (mm)	Cabinet Size
FD9002-600SS	564 x 181 x 446	600
FD9002-800SS	764 x 181 x 446	800
FD9002-900SS	864 x 181 x 446	900

## FD9003 Stainless Steel Kitchenware Storage Drawer



Model	Dimension (mm)	Cabinet Size
FD9003-600SS	564 x 181 x 446	600
FD9003-800SS	764 x 181 x 446	800
FD9003-900SS	864 x 181 x 446	900

## FD9006 Stainless Steel Tableware Inner Storage Drawer



Model	Dimension (mm)	Cabinet Size
FD9006-600SS	564 x 181 x 448	600
FD9006-800SS	764 x 181 x 448	800
FD9006-900SS	864 x 181 x 448	900

## FD9007 Stainless Steel Kitchenware Inner Storage Drawer



Model	Dimension (mm)	Cabinet Size
FD9007-600SS	564 x 181 x 448	600
FD9007-800SS	764 x 181 x 448	800
FD9007-900SS	864 x 181 x 448	900

## FD9011 Stainless Steel All-in-one Storage Drawer



Model	Dimension (mm)	Cabinet Size
FD9011-400WD	350 x 488 x 455	400

## FD9018 Stainless Steel Tableware & Seasoning Storage Drawer



Model	Dimension (mm)	Cabinet Size
FD9018-150SS	105 x 435 x 430	182
FD9018-200SS	155 x 435 x 430	232
FD9018-300SS	255 x 435 x 430	300
FD9018-400SS	355 x 435 x 430	400



## FD9013 Stainless Steel Lift-Up Storage Drawer



Model	Dimension (mm)	Cabinet Size
FD9013-600SS	564 x 521 x 278	600
FD9013-800SS	764 x 521 x 278	800

## FD9014 Stainless Steel Customized Cabinet Storage Drawer



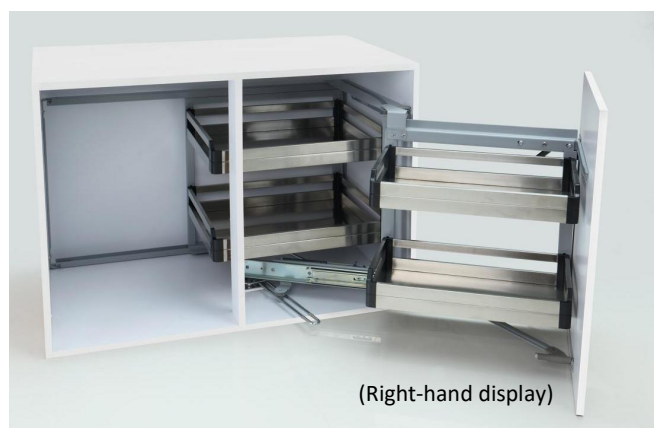
Model	Dimension (mm)	Cabinet Size
FD9014-02450SS	414 x (600-750) x 500	450
FD9014-04450SS	414 x (1150-1450) x 500	
FD9014-05450SS	414 x (1250-1550) x 500	
FD9014-06450SS	414 x (1650-1950) x 500	

## FD9015 Stainless Steel Magic Corner Rack



Model	Dimension (mm)	Cabinet Size
FD9015-900SS (L/R)	825 x 600 x 370	900
FD9015-900BK (L/R)		

## FD9016 Stainless Steel Pull Out Corner Rack



Model	Dimension (mm)	Cabinet Size
FD9016 (L/R)	(860-960) x 560 x 520	900

## FD9304 Stainless Steel Dish Rack Set



Model	Dimension (mm)	Cabinet Size
FD9304-600CH	565 x 280 x 65	600
FD9304-700CH	665 x 280 x 65	700
FD9304-800CH	765 x 280 x 65	800
FD9304-900CH	865 x 280 x 65	900

**FD9904 Stainless Steel Mounted Bin**



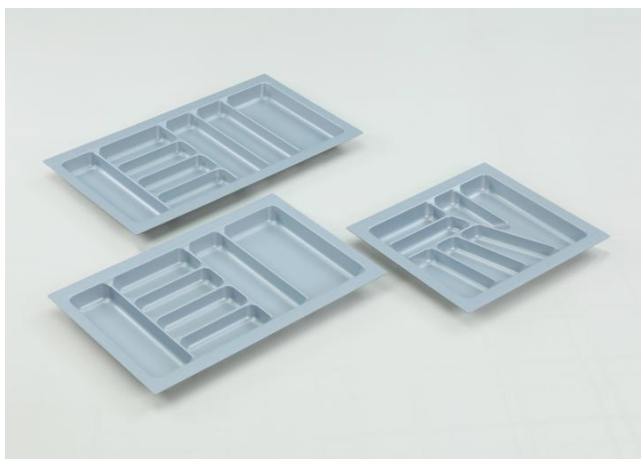
Model	Dimension (mm)	Cabinet Size
FD9904-GY	340 x 430 x 510	400

**FD9906 Stainless Steel Swing Out Bin**

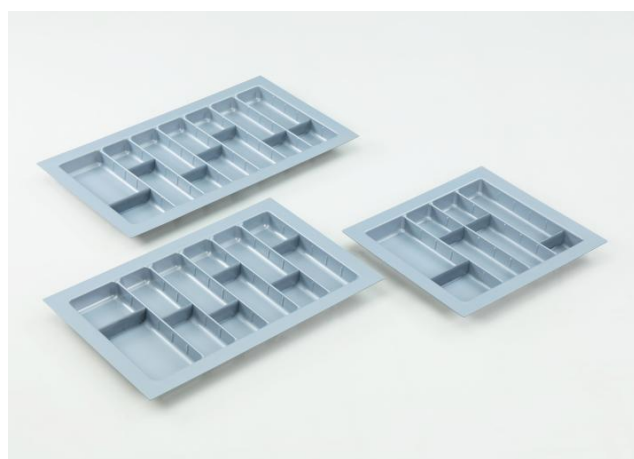


Model	Dimension (mm)	Cabinet Size
FD9906-BK	W30 x H40	400

**FD9012 Cutlery Tray**



**FD9017 Adjustable Cutlery Tray**



Model	Dimension (mm)	Cabinet Size	Model	Dimension (mm)
FD9012-600GY	(460-530) x 50 x (415-485)	600	FD9017-600GY	(460-530) x 50 x (415-485)
FD9012-800GY	(660-730) x 50 x (415-485)	800	FD9017-800GY	(660-730) x 50 x (415-485)
FD9012-900GY	(760-830) x 50 x (415-485)	900	FD9017-900GY	(760-830) x 50 x (415-485)





pio

*style*

MODULAR

SERIES

# FD9043 Modular Tableware Storage Drawer

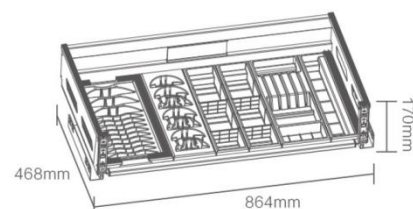
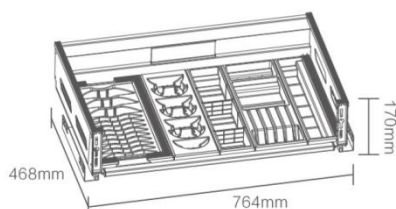
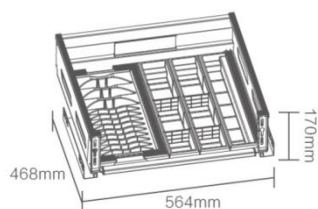
# FD9044 Modular Kitchen Utensil Storage Drawer



· Modular tableware storage drawer  
· FD9043-600DG / 600柜体

· Modular tableware storage drawer  
· FD9043-800DG / 800柜体

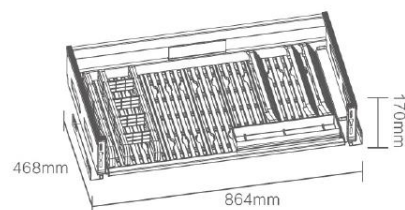
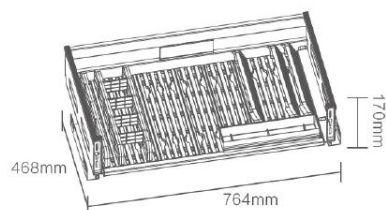
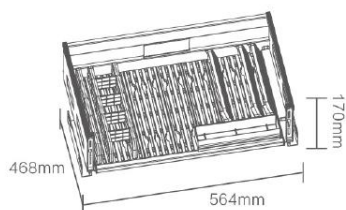
· Modular tableware storage drawer  
· FD9043-900DG / 900柜体



· Modular kitchen utensil storage drawer  
· FD9044-600DG / 600柜体

· Modular kitchen utensil storage drawer  
· FD9044-800DG / 800柜体

· Modular kitchen utensil storage drawer  
· FD9044-900DG / 900柜体



Model	Dimension (mm)	Cabinet Size	Model	Dimension (mm)
FD9043-600DG	564 x 170 x 468	600	FD9044-600DG	564 x 170 x 468
FD9043-800DG	764 x 170 x 468	800	FD9044-800DG	764 x 170 x 468
FD9043-900DG	864 x 170 x 468	900	FD9044-900DG	864 x 170 x 468





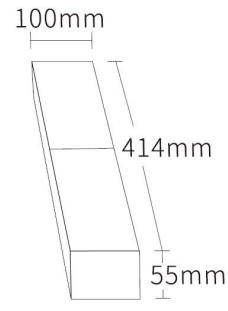
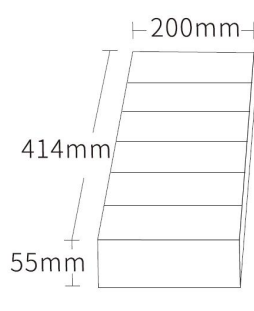
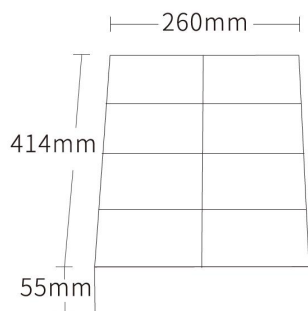
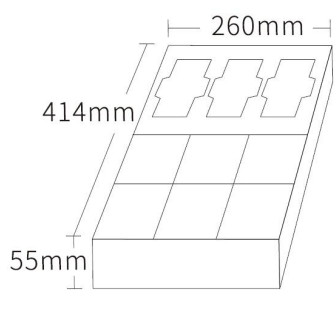
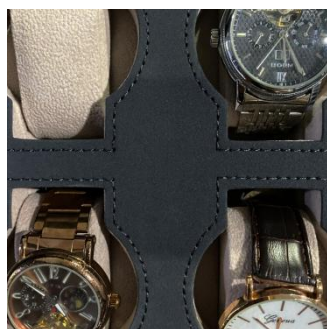
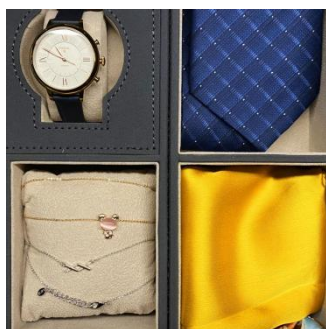
pio

*style*

CABINET DRAWER  
SERIES



# FE9011 Wardrobe Jewelry Storage Box Set



**A** : Watches & Bracelet Box

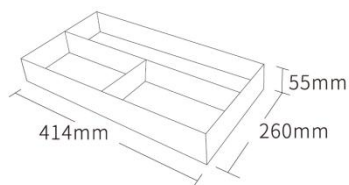
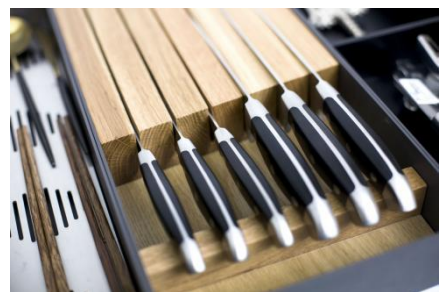
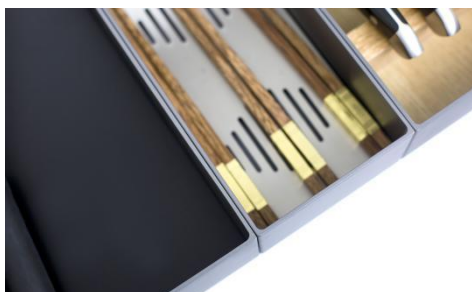
**B** : Tie & Belt Box

**C** : Glasses & Accessories Box

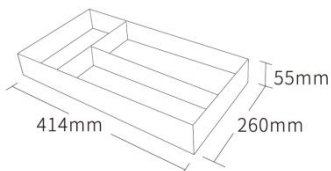
**D** : Scarf & Handkerchief Box

Model	Dimension	Texture
FE9011-800GY	720 x 55 x 414 mm A + B + C = 3-in-1 set	Imitation Microfiber + Velvet Upholstery Fabric
FE9011-900GY	820 x 55 x 414 mm A + B + C + D = 4-in-1 set	

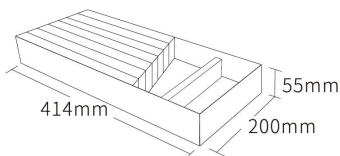
# FD9915 Kitchen Utensil Storage Box Set



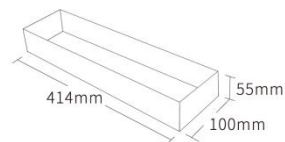
**A** : Long Divider Box



**B** : T Divider Box



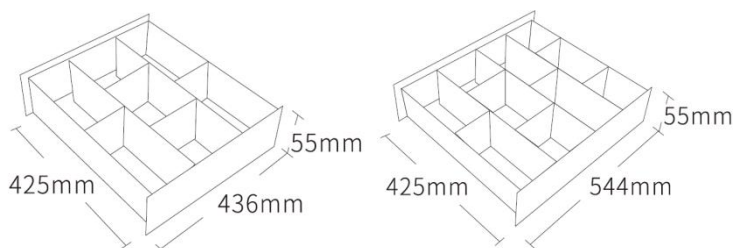
**C** : Cutlery Box



**D** : Chopstick & Tableware Box

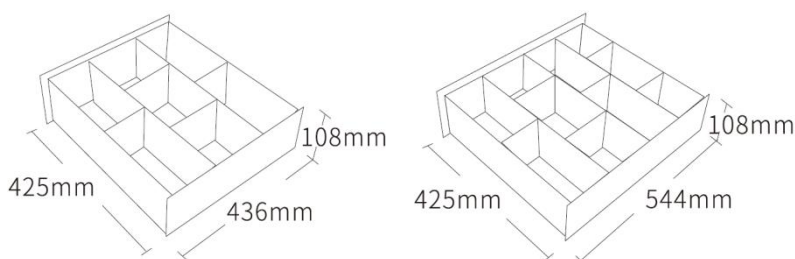
Model	Dimension	Texture
FD9915-800	720 x 55 x 414 mm A + B + C = 3-in-1 set	Aluminium Alloys + Rubberwood + Plywood + 304 Stainless Steel
FD9915-900	820 x 55 x 414 mm A + B + C + D = 4-in-1 set	

**FD9913 Low Profile Drawer Divider Board**



Model	Dimension	Texture
FD9913-800	436 x 55 x 425 mm	Bamboo
FD9913-900	544 x 55 x 425 mm	

**FD9914 High Profile Drawer Divider Board**



Model	Dimension	Texture
FD9914-800	436 x 108 x 425 mm	Bamboo
FD9914-900	544 x 108 x 425 mm	





pio

*style*

WARDROBE

SERIES

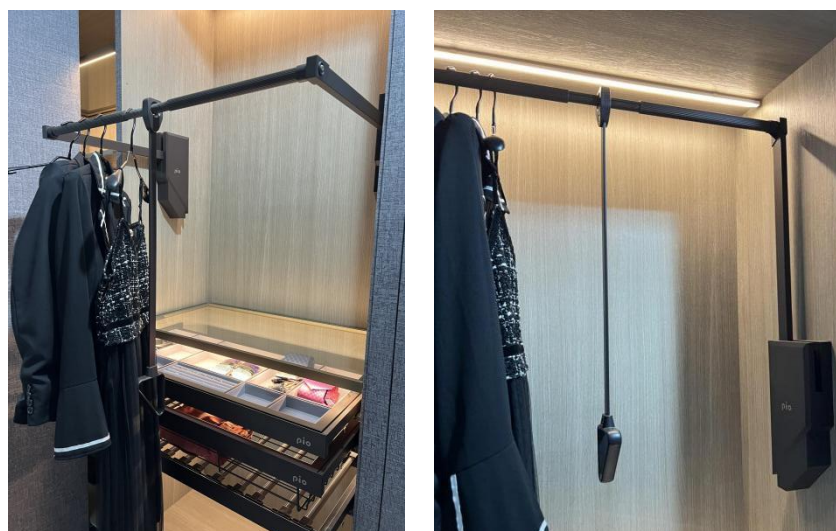
## FE9001 Aluminium Pull Out Pivoting Wardrobe Mirror



The mirror is designed to pull out and pivot up to 180°, providing versatile positioning options. It features a full-length handle integrated with the frame and is equipped with full extension soft closing slides for smooth operation. Additionally, the mirror is made with tempered glass, ensuring its durability and quality. Internal cabinet width : 264 x 1300 x 400 mm.

Model	Dimension (mm)	Colour
FE9001-1200H	61 x 1200 x 352	Brown

## FE9002 Aluminium Pull Down & Lift Wardrobe Rail



The product incorporates an upward return mechanism controlled by a hydraulic device, allowing for easy and controlled movement. It offers an additional 200mm width adjustable length, providing flexibility to accommodate various closet sizes. The mechanism can be assembled on both sides of the closet for convenience. The maximum loading capacity of the product is 15kgs. Internal cabinet width : (800-1000) x 1100 x 500 mm.

Model	Dimension (mm)	Colour
FE9002-764H	(764-964) x 808 x 140	Brown



## FE9003 Aluminium Pull Out Clothes Hanger



The product features full extension soft closing slides, ensuring smooth and controlled movement. It can be conveniently assembled on the under shelf panel of the closet without any visible screw holes on the exterior. Internal cabinet width : 364 x 1100 x 450 mm.

Model	Dimension (mm)	Colour
FE9003-425H	137 x 54 x 425	Brown

## FE9004 Aluminium Pull Out Trousers Hanger



The product features full extension soft closing slides, ensuring smooth and controlled movement. It can be conveniently assembled on the under shelf panel of the closet without any visible screw holes on the exterior. The S-shape design allows for easy storage and organization. Internal cabinet width : 364 x 700 x 450 mm.

Model	Dimension (mm)	Colour
FE9004-425H	350 x 145x 425	Brown



## FE9005 Aluminium Pull Out Wire Basket



The product features full extension soft closing slides, ensuring smooth and controlled movement. It offers an additional 200mm width adjustable length, providing flexibility to accommodate various closet sizes. The mechanism can be assembled on both sides of the closet for convenience. This wire basket is designed for storing bulky items such as towels, blankets, and pillows. Internal cabinet width : (600-900) x 300 x 450 mm.

Model	Dimension (mm)	Colour
FE9005-564H	564 x 140 x 420	Brown
FE9005-764H	764 x 140 x 420	
FE9005-864H	864 x 140 x 420	

## FE9006 Aluminium Pull Out Net Basket



The product features full extension soft closing slides, ensuring smooth and controlled movement. It offers an additional 200mm width adjustable length, providing flexibility to accommodate various closet sizes. The mechanism can be assembled on both sides of the closet for convenience. This net basket is perfect for organizing smaller items such as underwear, socks, and handkerchiefs. Internal cabinet width : (600-900) x 300 x 450 mm.

Model	Dimension (mm)	Colour
FE9006-564H	564 x 140 x 420	Brown
FE9006-764H	764 x 140 x 420	
FE9006-864H	864 x 140 x 420	

## FE9007 Aluminium Pull Out Frame Trousers Hanger



The product features full extension soft closing slides, ensuring smooth and controlled movement. It offers an additional 200mm width adjustable length, providing flexibility to accommodate various closet sizes. The mechanism can be assembled on both sides of the closet for convenience. The sticks inside the frame can be adjusted or moved according to preference or need. Internal cabinet width : (600-900) x 700 x 450 mm.

Model	Dimension (mm)	Colour
FE9007-56407H	564 x 56 x 420	Brown
FE9007-76411H	764 x 56 x 420	
FE9007-86413H	864 x 56 x 420	

## FE9008 Aluminium Pull Out Jewelry Storage Drawer



The product features full extension soft closing slides, ensuring smooth and controlled movement. It offers an additional 200mm width adjustable length, providing flexibility to accommodate various closet sizes. The mechanism can be assembled on both sides of the closet for convenience. The partitioned storage with velvet lining allows for effective organization and protection of your jewelry. Internal cabinet width : (600-900) x 175 x 450 mm.

Model	Dimension (mm)	Colour
FE9008-564H	564 x 61 x 420	Brown
FE9008-764H	764 x 61 x 420	
FE9008-864H	864 x 61 x 420	

**FE9009 Aluminium Pull Out Rotating Shoe Rack**

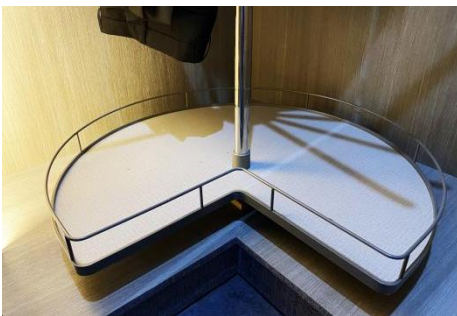
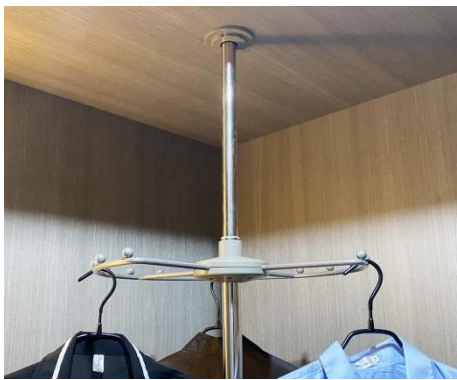


The shoe rack can rotate a full 360°, allowing easy access to shoes from all angles. It features a double-track structure system for smooth and stable movement. Additionally, it offers an extra 100mm of adjustable height, suitable for internal cabinet width 800mm.

Model	Dimension (mm)	Colour
FE9009-71808H	8 Layers 718 x (1425-1525) x 360	Brown



**FE9010 Three Layer Rotating Hanger For Corner**



The 3 layers corner storage rack is constructed using high-quality stainless steel and ABS materials, ensuring durability and long-lasting performance. It can rotate a full 360°, maximizes the utilization of corner space. Additionally, it offers an extra 200mm of adjustable height, suitable for internal cabinet : 800mm width x (1.9m-2.1m) height.

Model	Dimension (mm)	Colour
FE9010-730435Z	730 x (1900-2100) x 435	Grey

# FE9013 Wall Hanging Iron Board Cabinet



The product incorporates a built-in ironing board cabinet made from melamine board, which offers water resistance, fire resistance, and scratch resistance. It features a compact and modern design, providing convenient usage.

Model	Dimension (mm)	Colour
FE9013-1270360110GY	360 x 1270 x 110	Grey

# FE9015 Electric Smart Wardrobe Hanger



The product features two electric motors and a remote control for effortless lifting up and down. It also offers an additional 200mm width adjustment, providing flexibility to accommodate various cabinet widths. The recommended ideal height for the cabinet is 2.4m, and the maximum loading capacity is 15kgs.

Model	Dimension (mm)	Colour
FE9015-564HET	(564-764) x 808 x 140	Grey
FE9015-764HET	(764-964) x 808 x 140	
FE9015-964HET	(964-1164) x 808 x 140	



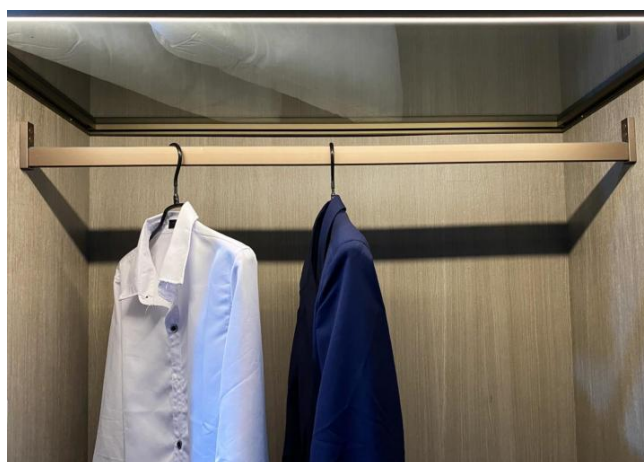
# KD8700 Password Drawer Box



The device offers easier installation inside cabinets, incorporates a touch screen function, includes an external USB port to prevent battery drain, features an external keyhole for manual opening, and boasts a high-quality velvet liner in luxurious colors to ensure scratch-free storage, the device operates on four AA batteries. The password box for jewelry, measuring 764mm, will be equipped with a fingerprint-based unlocking system.

Model	Dimension (mm)	Colour
KD8700-480B	480 x 150 x 400	Black
KD8700-580B	580 x 150 x 400	
KD8700-764B	764 x 150 x 400	

# TF6020 Aluminium Y Frame Hanger



FB9720-PC



FB9721-PC



FB9728-PC

Model	Details
TF6020-03PC	Aluminium 3 Meter Y Frame Hanger
FB9720-PC	Aluminium Side Rod Holder
FB9721-PC	Aluminium Middle Rod Holder
FB9728-PC	Aluminium Side Rod Holder



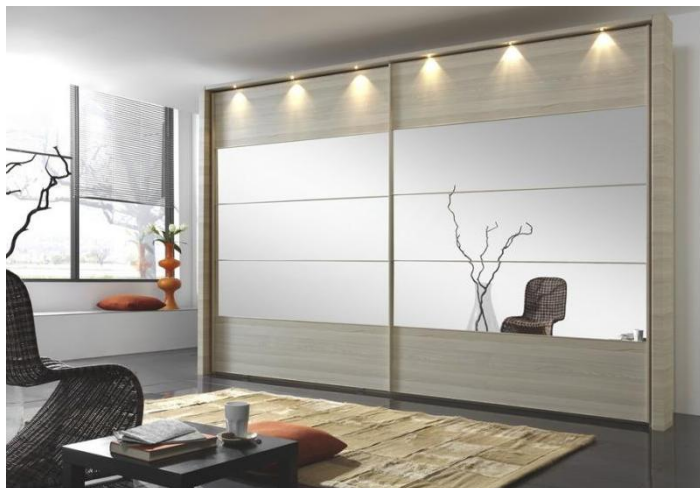
pio

*style*

SLIDING DOOR  
SERIES



# TR6115 Aluminium Frame Sliding Door Soft Closing System

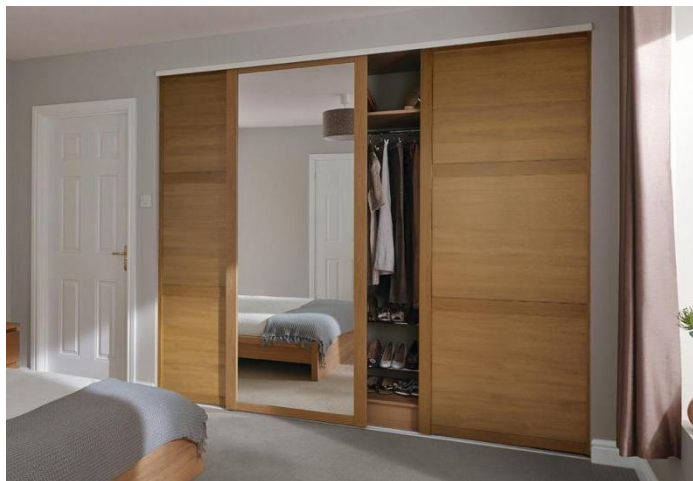


The TR6117-500GY features a concealed damper in a minimum 18mm top panel, along with anti-jump, anti-decoupling, and automatic positioning functions. It utilizes sliding wheels made from imported POM material, ensuring a long lifespan and excellent silent performance. Additionally, it offers an auto reset function for easy adjustment and has a loading capacity of 50kg per door.






Sliding door system accessories		
Accessories	Illustration	4 Damper 1 Door
Upper Runner Damper		2
Toggle Member		2
ST4*10 Cross raised pan head tapping screws		2
T shape plastic part		2
Milling Tail Screw		4
ST6*30 Hex Tapping Screws		4

TR6104-050NK	
Accessories	Description
Anti jump roller	1.5mm thickness of iron frame, high load capacity 27mm bearing Bearing with pvc dust-proof cover Upper roller width distance 39.2mm

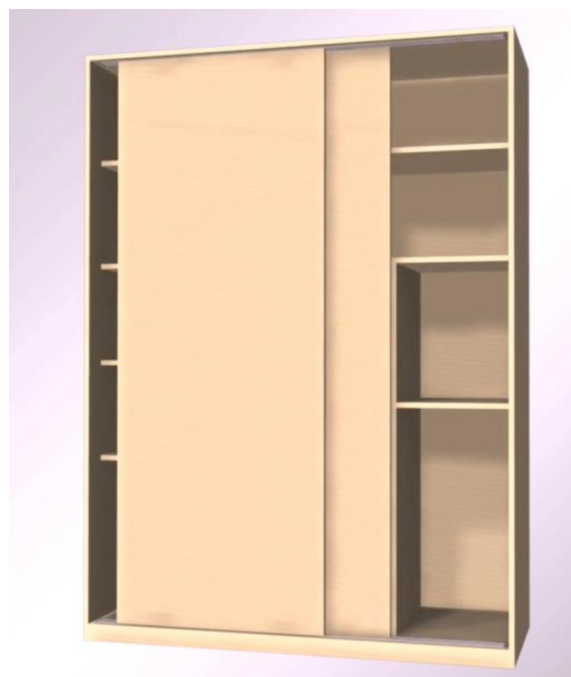
# TR6116 Central Damper Sliding Door Soft Closing System







The TR6117-500GY features a concealed damper in a minimum 18mm top panel, along with anti-jump, anti-decoupling, and automatic positioning functions. It utilizes sliding wheels made from imported POM material, ensuring a long lifespan and excellent silent performance. Additionally, it offers an auto reset function for easy adjustment and has a loading capacity of 50kg per door.

Sliding door system accessories		
Accessories	Illustration	Quantity
Stopper		1
ST4*10 Cross raised large flat head tapping screws		2
Central Damper		1
T shape plastic part		2
ST4*16 Cross recessed countersunk head tapping screws		4

# TR6117 Concealed Sliding Door Soft Closing System

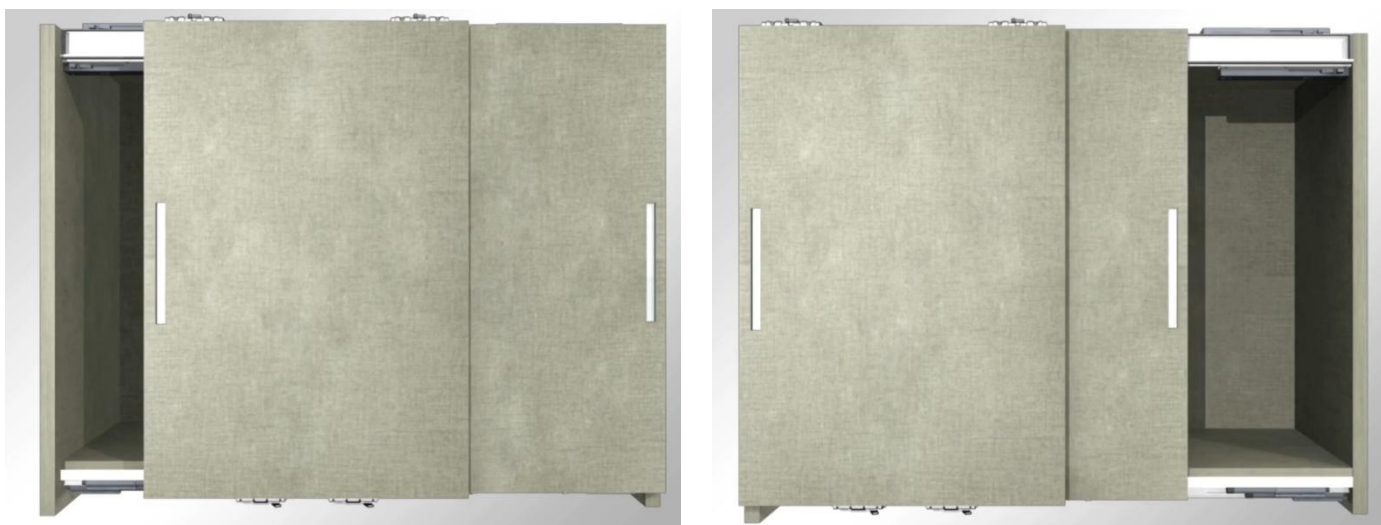


The TR6117-500GY features a concealed damper in a minimum 18mm top panel, along with anti-jump, anti-decoupling, and automatic positioning functions. It utilizes sliding wheels made from imported POM material, ensuring a long lifespan and excellent silent performance. Additionally, it offers an auto reset function for easy adjustment and has a loading capacity of 50kg per door.


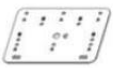


















Sliding door system accessories		
Accessories	Illustration	2 Doors
Runner		8
Damper		4
Cap for Aluminium rail ending		8
Allen Key		1
ST4*16 Cross recessed countersunk head tapping screws		32
Item that can be match		
TT6054-030NA Aluminium rail (3 meter)		



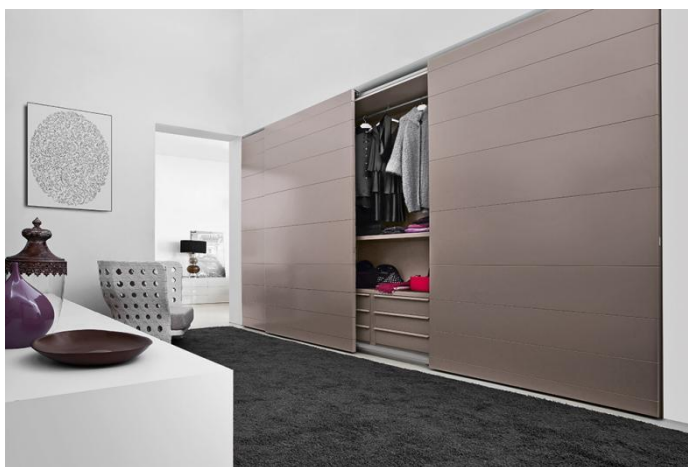
# TR6118 Light Load Hanging Sliding Door Soft Closing System



Introducing the TR6118-02050GY, designed for 2 doors, and the TR6118-02050GY, designed for 3 doors. These sliding door systems offer a loading capacity of 50kg per door, minimum 20kg per single door, ensuring strength and durability. They are suitable for doors with a thickness ranging from 16mm to 25mm. The door size requirements are as follows: the single door width should be between 700mm and 1500mm, and the door height should range from 2.5 times the door width to 2500mm. These systems provide a reliable and efficient solution for sliding doors, allowing for smooth operation and convenient access to your space.

Sliding door system accessories							
Accessories	Illustration	Double soft close for 2 doors	Double soft close for 3 doors	Accessories	Illustration	Double soft close for 2 doors	Double soft close for 3 doors
Upper Runner for outer door (with lever)		2	2	Position Template		1	1
Left Up Roller for inside door		1	2	Right Up Roller for inside door		1	2
Down Roller for outside door		2	2	Down Roller for inside door		2	4
Upper left damper		2	2	Upper right damper		2	2
Down Damper		4	4	Anti pinch-device		1	2
Plastic supportor		2	4	Fixing cube		2	2
ST4*16 Cross resseded flat head tapping screws						40	60
Items that can be match							
TT6055-025NA Aluminium rail (2.5m)				TR6123-GY Centre damper added for 3-doors			
 Upper rail	 Lower rail		1		1		2
			4				1

# TR6119 Heavy Load Hanging Sliding Door Soft Closing System



Introducing the TR6119-02080GY, designed for 2 doors, and the TR6119-03080GY, designed for 3 doors. These sliding door systems offer a loading capacity of 80kg per door, ensuring strength and durability. They are suitable for doors with a thickness ranging from 16mm to 46mm. The door size requirements are as follows: the single door width should be between 700mm and 1500mm, and the door height should range from 2.5 times the door width to 2500mm. These systems provide a reliable and efficient solution for sliding doors, allowing for smooth operation and convenient access to your space.




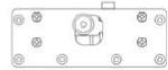

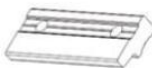



Sliding door system accessories							
Accessories	Illustration	Double soft close for 2 doors	Double soft close for 3 doors	Accessories	Illustration	Double soft close for 2 doors	Double soft close for 3 doors
Left Up Roller for outside door		1	1	Right Up Roller for outside door		1	1
Left Up Roller for inside door		1	2	Right Up Roller for inside door		1	2
Down Roller for outside door		2	2	Down Roller for inside door		2	4
Upper damper		4	4	Down damper		4	4
Stopper		4	4	Anti pinch-device		1	2
ST4*16 Cross ressed flat head tapping screws						40	60
Items that can be match							
TT6056-025NA Aluminium rail (2.5m)				TR6124-GY Centre damper added for 3-doors			
		Stopper		1	M4 x 16 screws		2
		ST4*16 Cross ressed countersunk head tapping screws					4
		Central damper					1

# TR6120 In-Line Sliding Door Soft Closing System



Introducing the TR6120-18060GY, designed for L1800mm cabinets, the TR6120-22060GY for L2200mm cabinets, the TR6120-24060GY for L2400mm cabinets, the TR6120-26060GY for L2600mm cabinets, and the TR6120-30060GY for L3000mm cabinets.

These sliding door systems offer a loading capacity of 60kg per single door, ensuring sturdiness and durability. They are suitable for light wooden doors, frame doors, or aluminum frame doors with thickness ranging from 18mm to 45mm. These systems provide an efficient and reliable solution for cabinets of various lengths, enabling smooth and convenient access to stored items.











Sliding door system accessories					
Accessories	Quantity	3D Sketch	Accessories	Quantity	3D Sketch
Upper Rail	1 set		Regulator A	2pcs/set	
Down Rail	1 set		Regulator B	2pcs/set	
Left Down Runner	1 set		Down track fixed block	8pcs/set	
Right Down Runner	1 set		Down track locked block	8pcs/set	
Down Runner	1 set				



# TR6121 Light Duty Sliding Door Soft Closing System















The TR6121-015GY is an external sliding door system that offers convenience and functionality. It eliminates the need for cutting or grooving during installation, making it easier to set up. The system features a damper with anti-jump, anti-decoupling, and automatic positioning functions, ensuring smooth and secure door operation. The sliding wheels, made from imported POM material, provide durability and deliver silent performance. With an automatic hook coupling function, it prevents decoupling and enhances security. The system is easy to install and adjust. It has a loading capacity of 15kg per single door and is suitable for light wooden doors, glass doors, decoration cabinets, and bookcases.

Sliding door system accessories					
Accessories	Illustration	1 Door	Accessories	Illustration	1 Door
Runner		4	Allen Key		1
Damper		2	Track plastic fastener		16
Anti-slip off part		4	Drilling positioning template		1
Cap for Aluminium rail ending		4	ST4*14 Cross recessed flat head self tapping screws		16
ST4*16 Cross resseded countersunk head tapping screws				48	
<b>Items that can be match</b>					
TT6057-025NA Aluminium rail (2.5m)					
					

# TR6122 Sliding Folding Door Soft Closing System




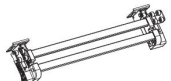
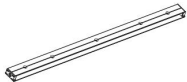
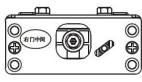
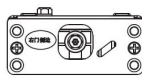
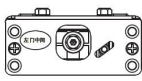
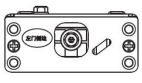
The TR6122-020GY is a versatile product designed for folding doors. It features sync dampers at the top and bottom, allowing for synchronized movement. With the ability to fold and pan, it offers flexible door operations. Ideal for installation on top cabinets, it maximizes space utilization. The system provides an extra 3mm of adjustable length for precise fitting. With a loading capacity of 20kg per single door, it accommodates various door sizes. It boasts excellent silent performance, easy installation, and adjustment. Suitable for door widths ranging from 300mm to 600mm and door thicknesses of 16mm or more.

Sliding door system accessories					
Accessories	Illustration	Quantity	Accessories	Illustration	Quantity
Left Upper Roller		2	Right Upper Roller		2
Left Down Roller		2	Right Down Roller		2
Plastic Hinge		8	Position Template		1
8mm Spanner		1	Damper		2
2mm Alley Key		1	ST4*16 Wood Screw		80
<b>Items that can be match</b>					
TT6058-025NA Aluminium rail (2.5m) / TT6058-030NA Aluminium rail (3 meter)					
 <p>upper rail</p>			 <p>lower rail</p>		

# TR6126 Mini In-Line Sliding Door Soft Closing System

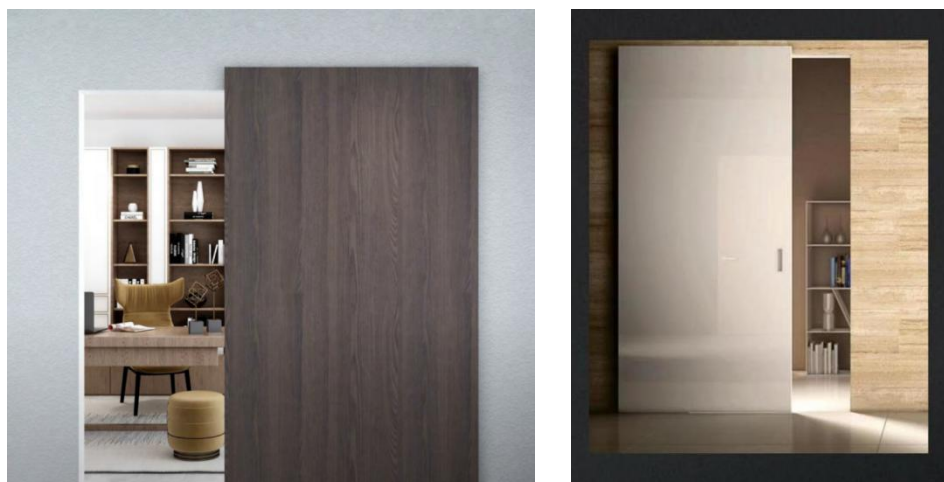


The innovative upper runner system features a free-cutting rail, eliminating the need for a bottom rail and allowing sliding doors to close smoothly as a single piece, creating a clean and sleek look. Its simple installation process is facilitated by a unique link drive design. This system can be applied to different furniture pieces such as floor cabinets, kitchen cabinets, TV cabinets, and side tables, offering versatility and design options for various living spaces. This product comes in two sizes: TR6126-17520GY with a length of 1750mm, and TR6126-23520GY with a length of 2350mm.

Sliding Door System Accessories		
Accessories	Illustration	Quantity
Upper Rail		1
Connecting Rod Component		2
Door Panel Side Direction Rail		4
Right Door Middle Regulator		1
Right Door Side Regulator		1
Left Door Middle Regulator		1
Left Door Side Regulator		1



# TR6130 Invisible Sliding Door Soft Closing System



The TR6130-12080NA is a 1200mm length concealed rail sliding door system with impressive features. It is a patented product that offers a soft close mechanism for 60mm, ensuring a smooth and silent operation. With a loading capacity of 80kg, it is durable and resistant to deformation. The system includes anti-fall off and removable damper positioning for added safety and convenience. It provides 3D adjustment options for height, distance from the wall, and door level, allowing for customization. The elegant design adds a touch of sophistication, and the installation process is simple. Overall, this sliding door system combines functionality, aesthetics, and ease of use.

Sliding Door System Accessories		
Accessories	Illustration	Quantity
Upper Runner		1
Soft Close Damper		2
Side Runner		2
Down Guide Roller		1
Down Runner		2
End Plugs		1
Upper Rail		1
Lower Rail		1



# TT6059

## Door Straightener and Accessories



TT6059-020MG/RG	2.0m door straightener
TT6059-024MG/RG	2.4m door straightener
TT6059-028MG	2.8m door straightener
TT6060	Special slotting tool

- . The straightener is glued on the opening position of the door plate so that it is not easy deform.
- . Door panel straightener, made with aluminum alloy, built-in stainless steel rod.
- . Straightener can be freely cut after the two hole section.
- . The straightener is suitable for 1.8-2.8 m door height and requires a slotted fixed straightener.
- . The hexagonal two-way adjustment can straighten deformed door panel.
- . Special slotting tool can be used for 800 sheets of panel.

BEHIND THE WALK  
WALK BEHIND  
WALK BEHIND



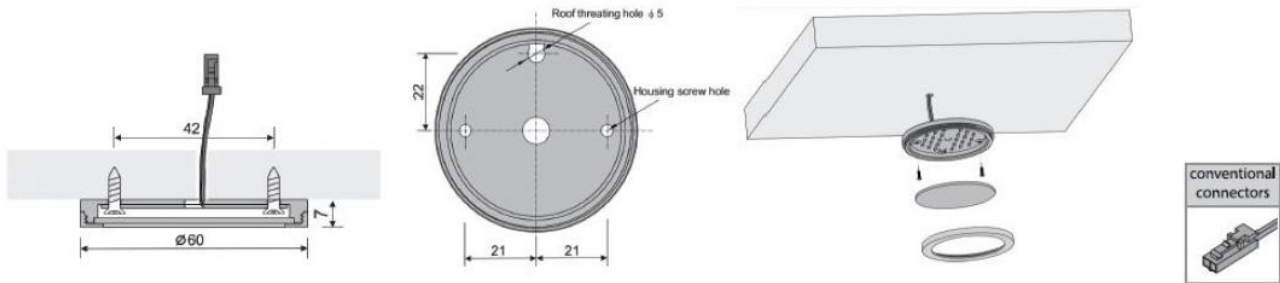
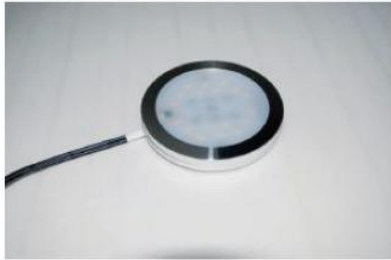
pio

*style*

LED SERIES



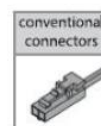
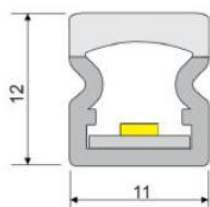
# LD 1003 Round LED puck light



- . Ultra thin-only 7mm thickness.
- . Light soft and comfortable-use frosted cover.
- . Aluminium material-fast heat dissipation.
- . Easy installation by screws.

Model	Dimension (mm)	Voltage (VDC)	CCT (K)	Power (W)	CRI	Led type
LD 1003-07YW	∅ 60x7	12	YW: 3000	2.5	>80	SMD3014 (18pcs)

# LD 1004 Surfaced strip light



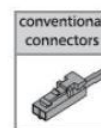
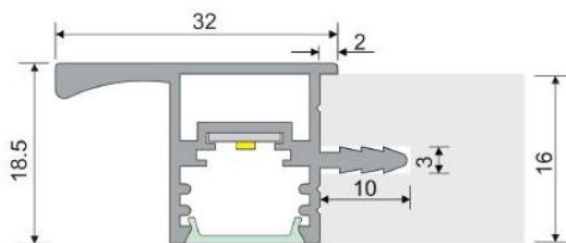
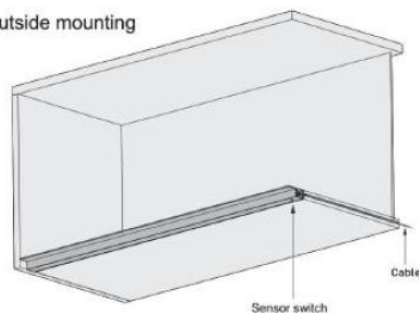
- . This product is double colour tubes.
- . Light body is lens, the bottom of light body is white opaque region.
- . Installation: Both surface and recess mounting.

Model	Dimension (mm)	Voltage (VDC)	Led type	CCT (K)	Power (W)	CRI
LD 1004-560YW	560x11x12	12	SMD2835 (120pcs/m)	YW: 3000	6W/M	>80
LD 1004-660YW	660x11x12					
LD 1004-760YW	760x11x12					
LD 1004-860YW	860x11x12					
LD 1004-1000YW	1000x11x12					

# LD 1005 Board Light



The outside mounting



- . Hand free design.
- . Shinning from upwards.
- . The light will not be too harsh.
- . Recessed mount.
- . Built in hand shaking sensor switch.

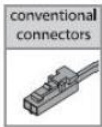
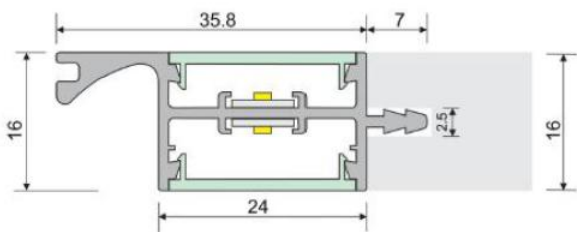
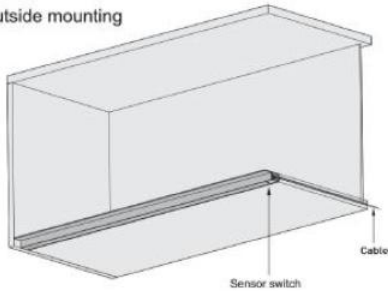
Model	Dimension (mm)	Voltage (VDC)	Led type	CCT (K)	Power (W)	CRI	Sensor switch
LD 1005-564YW	564x(32+8)x18.5	12	SMD2835 (120pcs/m)	YW: 3000	14.4/m	>80	Hand shaking IR Sensor
LD 1005-664YW	664x(32+8)x18.5						
LD 1005-764YW	764x(32+8)x18.5						
LD 1005-864YW	864x(32+8)x18.5						
LD 1005-1000YW	1000x(32+8)x18.5						



# LD 1006 Board Light



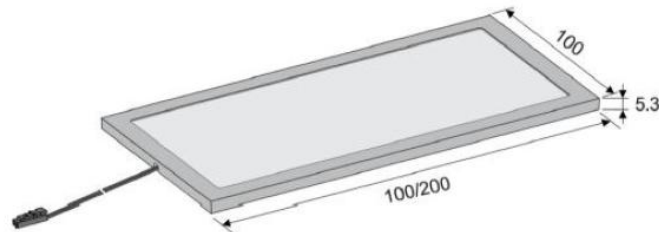
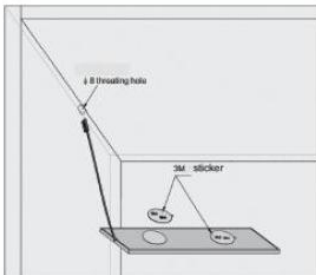
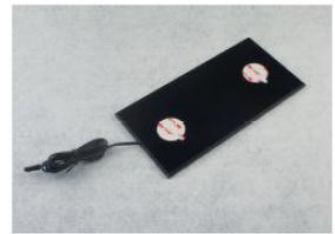
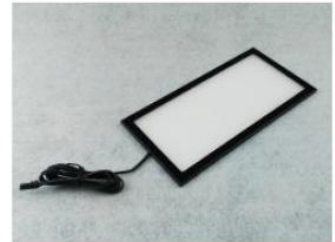
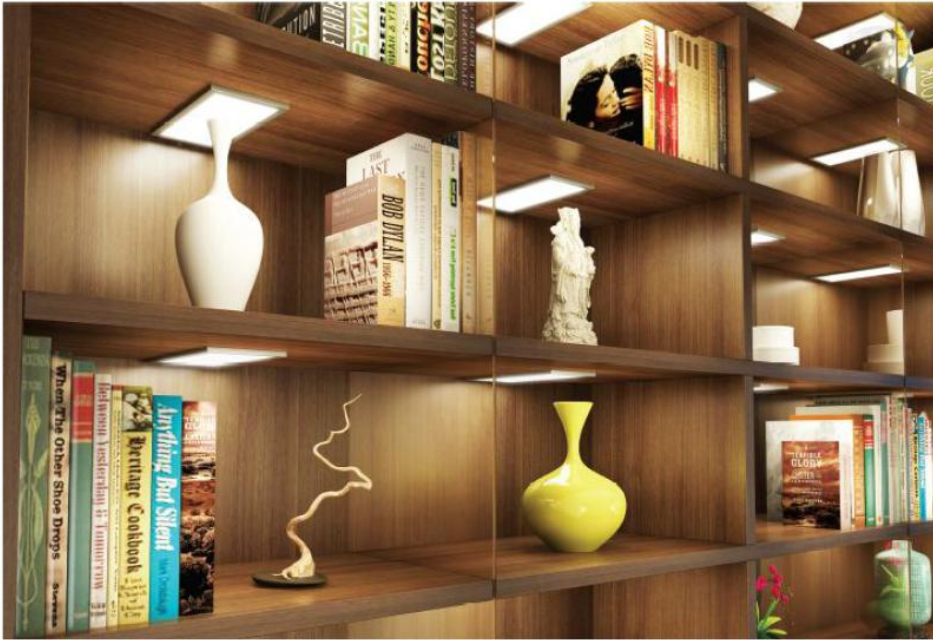
The outside mounting



- . Hand free design.
- . Shinning from upwards and downwards.
- . Recessed mount.
- . Built in hand shaking sensor switch.

Model	Dimension (mm)	Voltage (VDC)	Led type	CCT (K)	Power (W)	CRI	Sensor switch
LD 1006-564YW	564x(35.8+7)x16	12	SMD2835 (60pcs/m)	YW: 3000	7.2x2/m 2 row chips	>80	Hand shaking IR Sensor
LD 1006-664YW	664x(35.8+7)x16						
LD 1006-764YW	764x(35.8+7)x16						
LD 1006-864YW	864x(35.8+7)x16						
LD 1006-1000YW	1000x(35.8+7)x16						

# LD 1007 Panel Light

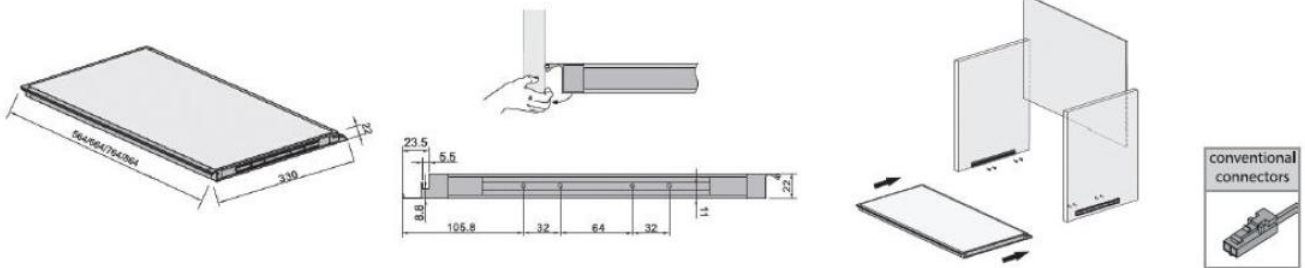


- . Ultra thin light. The thickness is only 5.3mm.
- . Wide is 100mm, length can be customized (100/200).
- . All-metal body increases the heat dissipation performance.
- . The cover has anti-glare function, uniform and comfortable light effect.
- . Installation: 3M adhesive.

Model	Dimension (mm)	Voltage (VDC)	Led type	CCT (K)	Power (W)	CRI	Sensor switch
LD 1007-100100YW	100x100x5.3	12	SMD4014 (15pcs)	YW: 3000	3	>80	No sensor switch
LD 1007-100200YW	200x100x5.3		SMD4014 (30pcs)		6		



# LD 1008 Panel Light



- . The area lighting source makes the light more even and soft.
- . The light body can be not only replace the bottom board of cabinet but also realize the efficient lighting for upwards and downwards lighting.
- . Built in hand shaking sensor switch, also can be connected with another light in the same cabinet.
- . Tempered glass loading capacity <60kg.

Model	Dimension (mm)	Voltage (VDC)	Led type	CCT (K)	Power (W)	CRI	Sensor switch
LD 1008-564330YW	564x330	12	SMD3014 (120pcs/m)	YW: 3000	5.5	>80	Hand shaking IR Sensor
LD 1008-664330YW	664x330				6.5		
LD 1008-764330YW	764x330				7.5		
LD 1008-864330YW	864x330				8.5		





# LD 1009

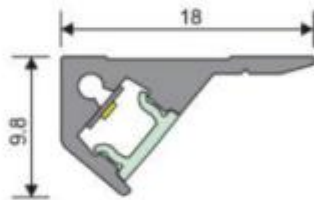
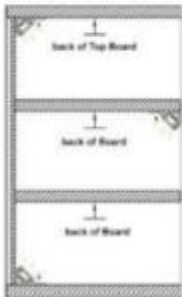
## Board Light



- . Not included glass.
- . This lamp is an innovative design shelf light.
- . The surface of the lamp can hold glass or wood instead of board.
- . Lamp body is high quality aluminium.
- . Loading capacity <60kg.

Model	Dimension (mm)	Voltage (VDC)	Led type	CCT (K)	Power (W)	CRI
LD 1009-564510YW	564x510x27.7	12	SMD2835 (120pcs/m)	YW: 3000	5.5	>80
LD 1009-664510YW	664x510x27.7				6.5	
LD 1009-764510YW	764x510x27.7				7.5	
LD 1009-864510YW	864x510x27.7				8.5	

# LD 1013 LED Corner Light

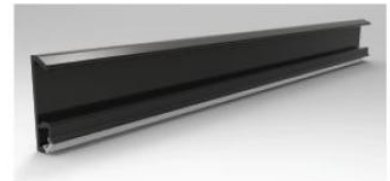
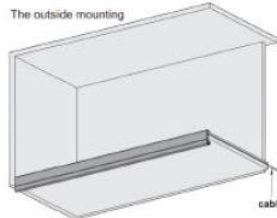
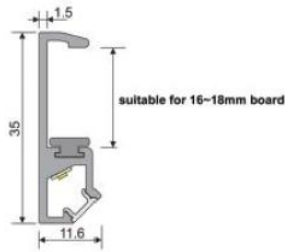
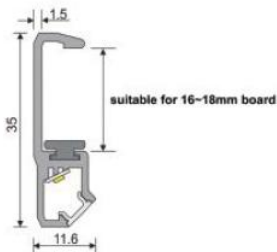


- . Design for board corner.
- . Can be install horizontal and vertical, front and back.
- . Directional irradiation, soft and even light.
- . 3M adhesive installation, or screw mounting.

Model	Dimension (mm)	Voltage (VDC)	Led type	CCT (K)	Power (W)	CRI
LD1013-900YW	900x18x 9.8	12	SMD2835 (120pcs/m)	YW: 3000	10/M	>80
LD1013-1000YW	1000x18x 9.8					
LD1013-1200YW	1200x18x 9.8					
LD1013-2800YW	2800x18x 9.8					



# LD 1014 Board Light

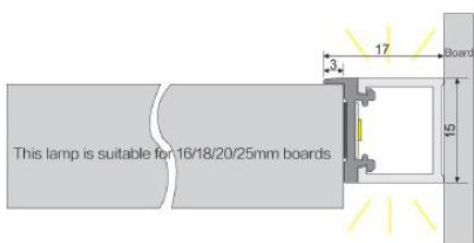


- . Front board outside mounting.
- . Recessed mount, no light slot needed.
- . Directional irradiation, soft and even light.
- . Lens : Milky PMMA.

Model	Dimension (mm)	Voltage (VDC)	Led type	CCT (K)	Power (W)	CRI
LD1014-900YW	900x11x35	12	SMD2835 (120pcs/m)	YW: 3000	10/M	>80
LD1014-1000YW	1000x11x35					
LD1014-1200YW	1200x11x35					



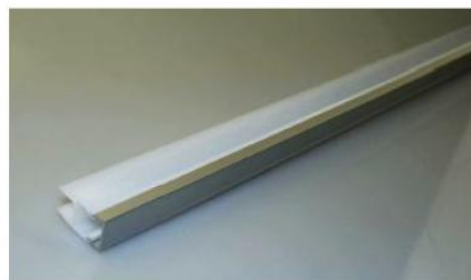
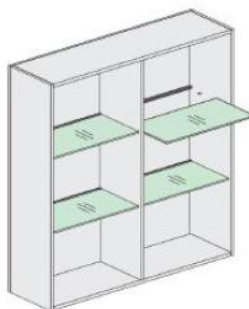
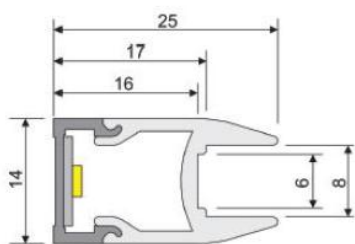
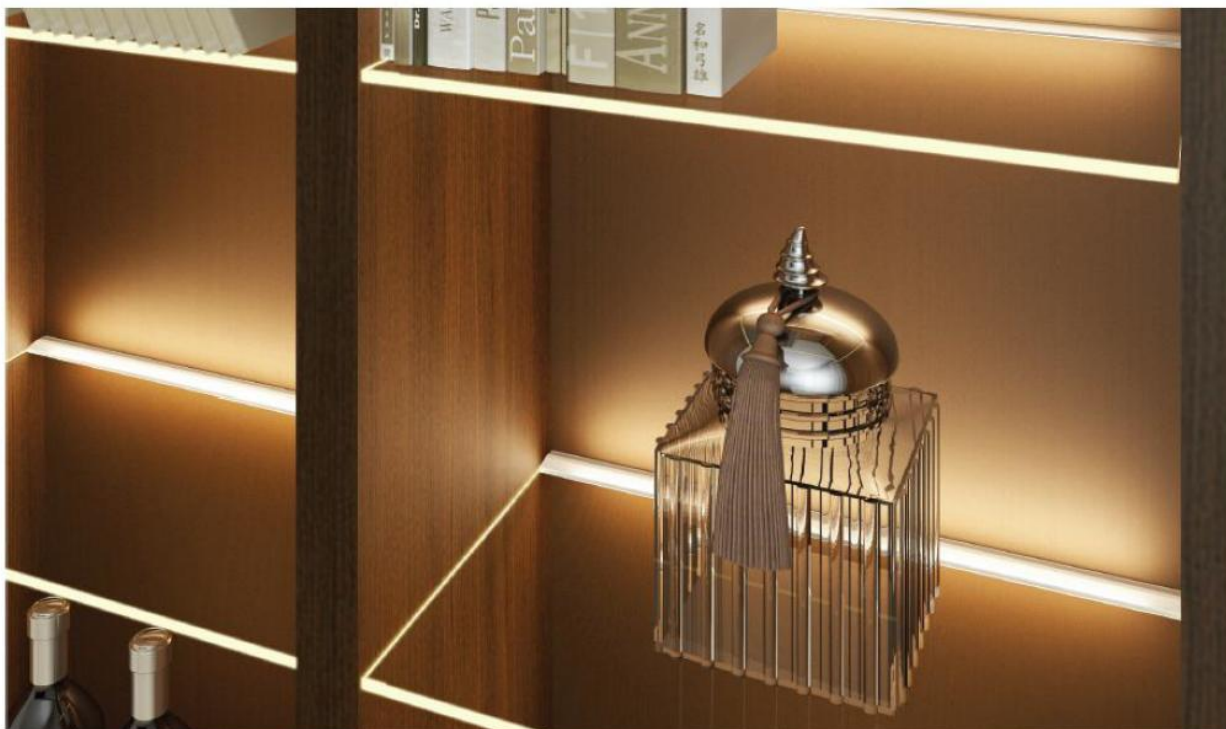
# LD 1015 Board Light



- . Supplying upwards and downwards light.
- . 3M adhesive installation, no light slot needed.
- . Lens : Milky PMMA.

Model	Dimension (mm)	Voltage (VDC)	Led type	CCT (K)	Power (W)	CRI
LD1015-600YW	600x17x15	12	SMD2835 (120pcs/m)	YW: 3000	10/M	>80
LD1015-800YW	800x17x15					
LD1015-1000YW	1000x17x15					

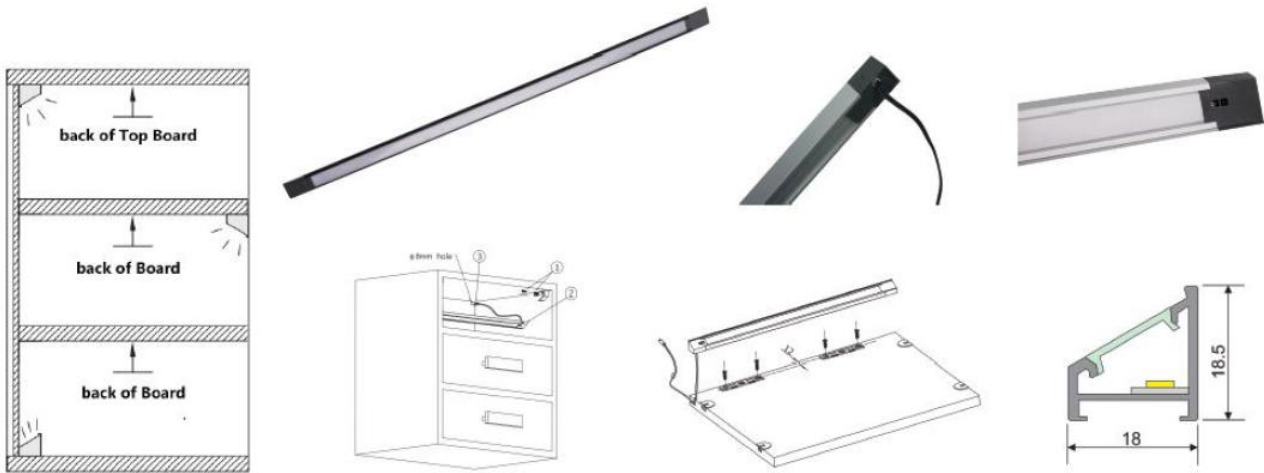
# LD 1016 Glass Clip Light



- . Shines in three directions.
- . No led dots in surface.
- . Suitable for 6-8mm thickness glass shelf.

Model	Dimension (mm)	Voltage (VDC)	Led type	CCT (K)	Power (W)	CRI
LD1016-900YW	900x25x14	12	SMD2835 (120pcs/m)	YW: 3000	7.2	>80
LD1016-1000YW	1000x25x14					
LD1016-1200YW	1200x25x14					

# LD 1017 Inside Cabinet Light



- . Design for board corner.
- . Supplying inwards light.
- . Double door trigger sensor switch.
- . Clip mounting and end support mounting for selection.

Model	Dimension (mm)	Voltage (VDC)	Led type	CCT (K)	Power (W)	CRI
LD1017-414YW	414x11x12	12	SMD2835 (120pcs/m)	YW: 3000	10/M	>80
LD1017-564YW	564x11x12					
LD1017-764YW	764x11x12					
LD1017-864YW	864x11x12					



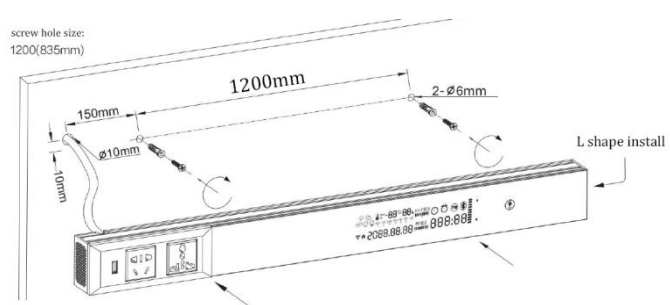
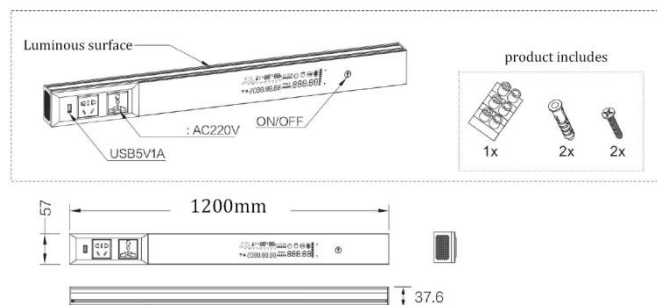
# LD 1018 Drawer Light



- . Design for corner.
- . Supplying downwards light.
- . Single door trigger sensor switch.
- . Clip mounting and end support mounting for selection.

Model	Dimension (mm)	Voltage (VDC)	Led type	CCT (K)	Power (W)	CRI
LD1018-414YW	414x11x12	12	SMD2835 (120pcs/m)	YW: 3000	10/M	>80
LD1018-564YW	564x11x12					
LD1018-764YW	764x11x12					
LD1018-864YW	864x11x12					

# LD1019-1200YWA5151A Letrodix - Smart LED Light



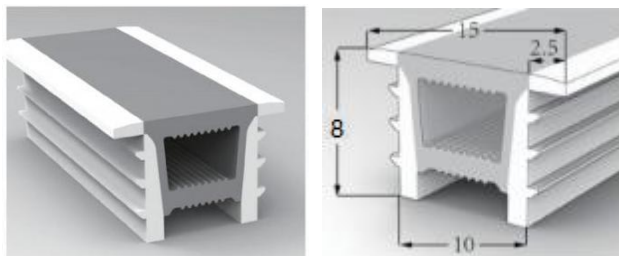
## Technical Details

Model	<i>pio style - Letrodix</i>
Size	1200x57x37.6mm
Volatage (VAC)	AC220V
USB port	5V1A
UK plug	220V-10A
Sensor switch	Touch screen
Power (W)	12W (strip lights at top and bottom)
CCT (K)	Warm White ( 3000K )
Product material	High quality aluminium +PC/ABS
Installation method	wall mount
Product weight	1.5kg

# LD1000 LED Light Bar



LED Light Bar		
Model	Dimension (mm)	Colour
LD1000-05120YW	L 5000mm x W 8mm	Yellow White
LD1000-05120YW	L 5000mm x W 8mm	Cool White

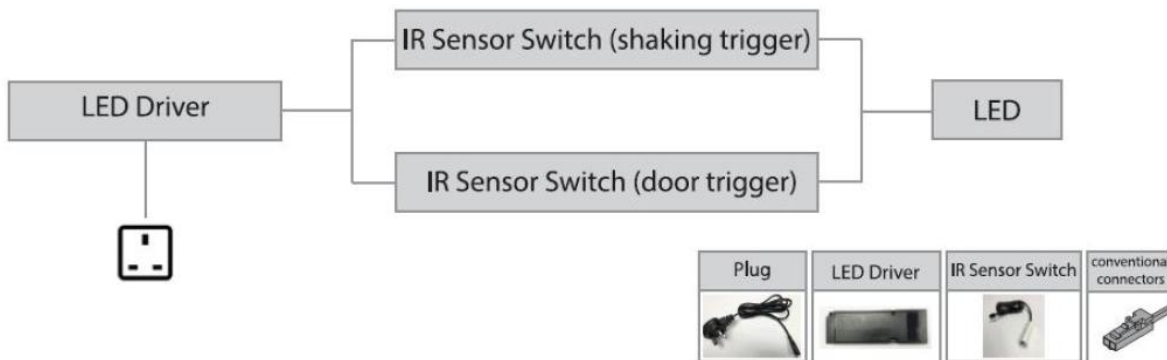
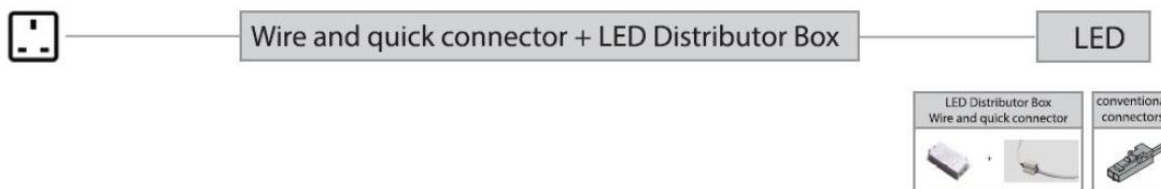
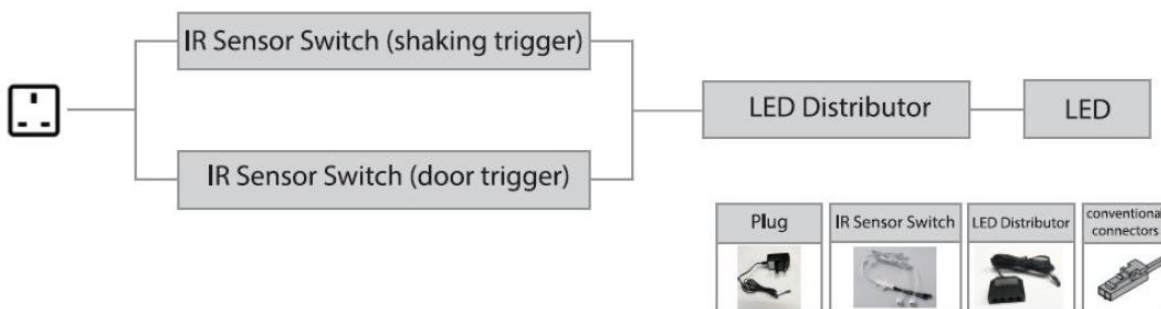
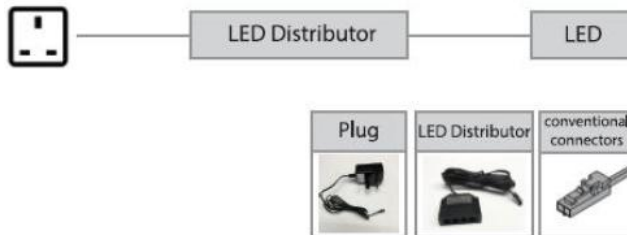
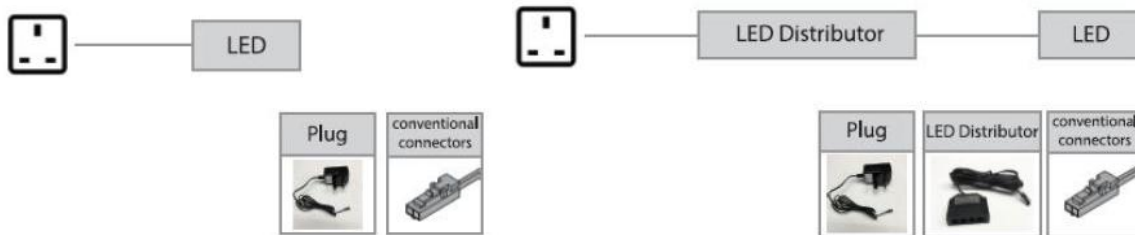


LED PVC Cover With Gasket		
Model	Dimension (mm)	Colour
LP1022-50MWH	50 meter	White Frame
LP1022-50MBK	50 meter	Black Frame





	Model	Type	Power(w)	Output Hole	Cable Length
1	LP1010-12WUS	US PLUG	12W	-	1.5 M
2	LP1001-12V12W	UK PLUG			
3	LP1015-60W	LED DRIVER	60W	-	-
4	LP1015-120W		120W		
5	LP1015-12V 150W1500SV		150W		
6	LP1015-12V 350W1500GY		300W		
7	LP1002-4B18BK	LED DISTRIBUTOR	-	4WAY	1.8 M
8	LP1002-6B18BK			6WAY	
9	LP1007-12V15BK	DIMMER TOUCH SENSOR SWITCH	-	-	1.5 M
10	LP1010-2012V60W				
11	LP1011-1512V60W	DOUBLE DOOR SENSOR SWITCH	-	-	1.0 M
12	LP1012-1512V60W	SINGLE DOOR SENSOR SWITCH			
13	LP1006-12V15BK	LONG SINGLE DOOR SENSOR SWITCH			
14	LP1011-12V6W15WH	LED DISTRIBUTOR BOX WITH 100MM WIRE & QUICK CONNECTOR	6W	2WAY	1.5 M
15	LP1017-1212V60W	IR SENSOR SWITCH	60W	-	1.0 M
16	LP1021-0812V60W	HAND SHAKING IR SENSOR SWITCH	60W		
17	LP1009-YBK	Y WIRE	-		0.27 M
18	LP1013-EBK	EXTENSION WIRE BLACK			1.8 M
19	LP1014-SEWH	EXTENSION WIRE WHITE		1 M	
20	LD1000-05YW	COB LED STRIP LIGHT	10W/M	-	-
21	LP1018-QC	QUICK CONNECTORS	-		
22	LP1018-QCLS	QUICK CONNECTORS L SHAPE			
23	LP1019-QCC	QUICK CONNECTOR CABLES			
24	LP1020-EC	EXTENSION CABLE FOR QUICK CONNECTOR		1.0 M	
					0.17 M



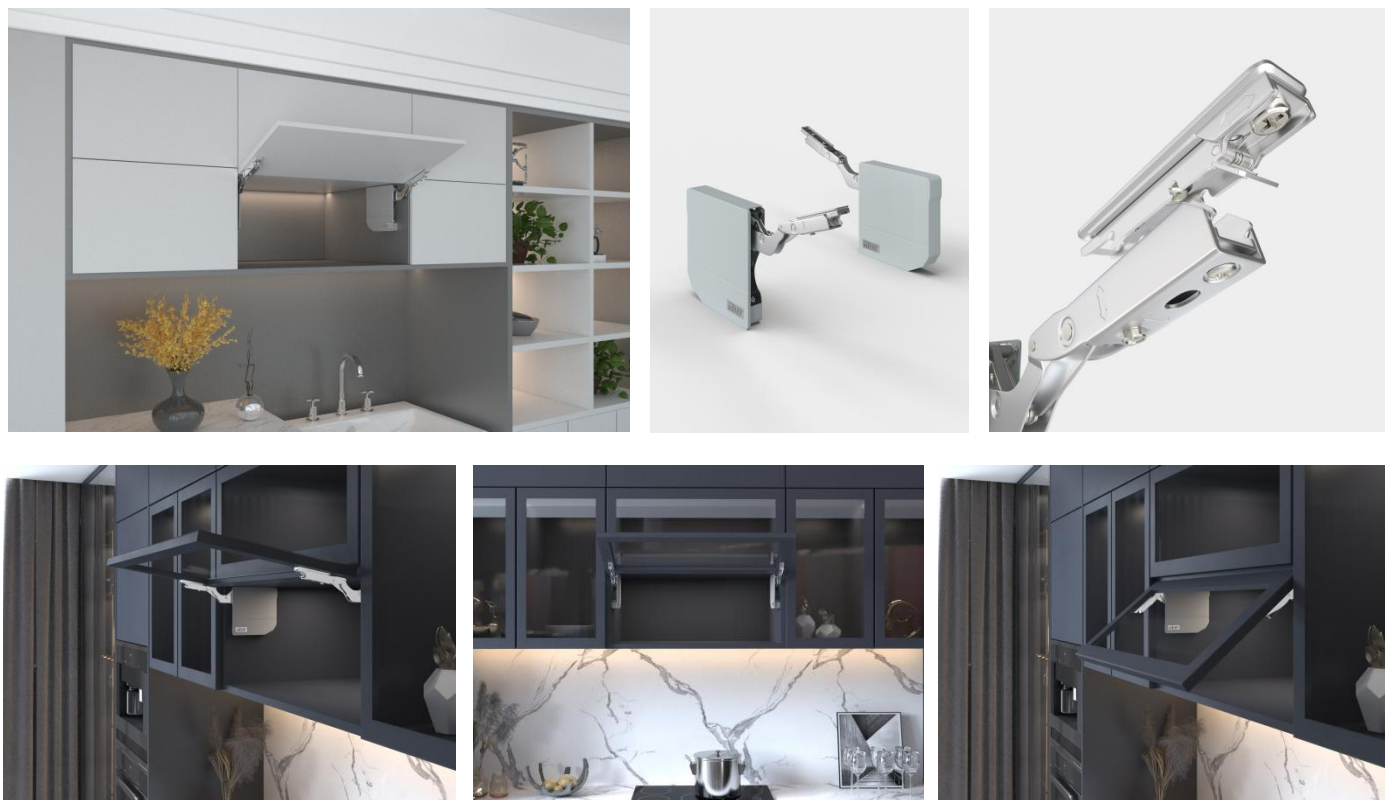


*style*

# LIFT SYSTEM SERIES



# FF9978 Upturning Lift Up System



The FF9978 Lift-Up System incorporates a unique mechanism that elevates the front door, allowing it to stay open, enabling convenient access to the contents of the cabinet during cooking, baking, or cleaning. This system offers adjustable angles and positions, ensuring easy reach and usability. It is compatible with both wooden doors and a variety of aluminum frame widths, accommodating different cabinet configurations.

Model	Loading Capacity
FF9978-005GY	3-5 kg
FF9978-007GY	5-7 kg
FF9978-010GY	7-10 kg

**FF9985 9kg Upturning Folding Lift Up System**

**FF9986 11kg Upturning Folding Lift Up System**

**FF9987 13kg Upturning Folding Lift Up System**



The FF9985 & FF9986 Lift-Up System is specifically designed for high and bi-fold front cabinets. It is compatible with both wooden doors and a range of aluminum frame widths, including both wide and narrow options. This versatile system allows for easy installation and operation, providing convenient access to the contents of the cabinet.

Model	Loading Capacity
FF9985-009GY	7 - 9 kg
FF9986-011GY	9 - 11 kg
FF9987-013GY	11 - 13 kg

**FP9006 Electric Motor For Lift Up System**

The FF9987 Electric Folding Lift-Up System incorporates advanced electrical motion support, eliminating the need to manually hold the cabinet door while accessing items. By simply pressing a button, you can effortlessly open the cabinet, and with another press, it seamlessly closes. This user-friendly and convenient solution significantly enhances the accessibility and functionality of your cabinets.

Model	Loading Capacity
FP9006-GYET	Electric Motor

# Gas Spring Lift Up System



Model	Loading Capacity
FF9977-0808GY	5-8 kg
FF9971-010GY	8-10 kg
FF9971-015GY	10-15 kg





pio

*style*

BED HARDWARE

SERIES

## EB2500 Ordinary Invisible Bed Hardware Accessories



Model	Details
EB2500-191095050BK	Suitable for 1900 x 900mm single bed
	Suitable for 20cm thickness of mattress
	Loading capacity for mattress : 18kgs

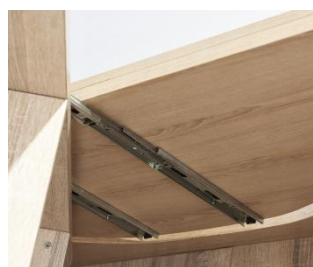
## EB2501 Twin Table Invisible Bed Hardware Accessories



Model	Details
EB2501-1910155050BK	Suitable for 1900 x 1500mm queen size bed
	Suitable for 20cm thickness of mattress
	Loading capacity for mattress : 30kgs



# EB2502 Rotating Invisible Bed Hardware Accessories



Model	Details
EB2502-2060155650BK	Suitable for 2000 x 1500mm king size bed
	Suitable for 15cm thickness of mattress
	Loading capacity for mattress : 30kgs



## EB2503 Side Pull Down Invisible Big Bed Hardware Accessories



Model	Details
EB2503-1990151050BK	Suitable for 1900 x 1500mm queen size bed
	Suitable for 10cm thickness of mattress
	Loading capacity for mattress : 30kgs

## EB2504 Side Pull Down Invisible Small Bed Hardware Accessories



Model	Details
EB2504-196095060BK	Suitable for 1900 x 900mm single size bed
	Suitable for 10cm thickness of mattress
	Loading capacity for mattress : 18kgs

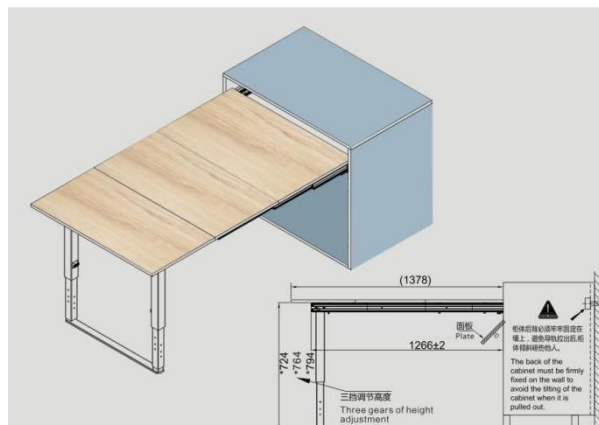


pio

*style*

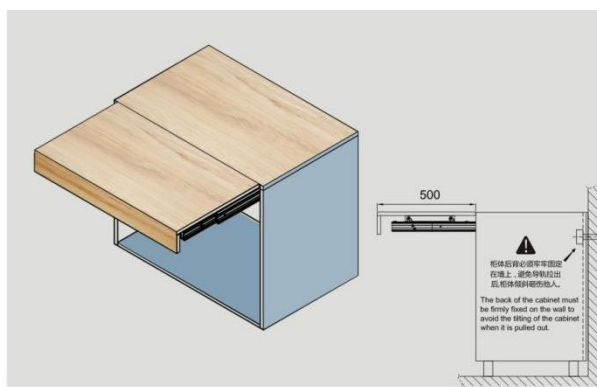
TABLE SLIDES  
SERIES

# EB2505 Invisible Pull Out Table Slide with Table Leg



Model	Details
EB2505-1378CP	Minimum height : 170mm
	Minimum depth : 555mm
	Extending length : 1378mm
	Loading capacity : 70kgs

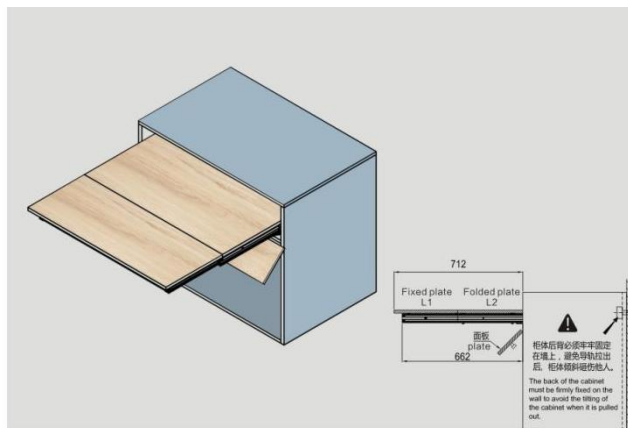
# EB2506 Invisible Pull Out Table Slide with Handle



Model	Details
EB2506-500CP	Minimum height : 135mm
	Minimum depth : 540mm
	Extending length : 500mm
	Loading capacity : 40kgs

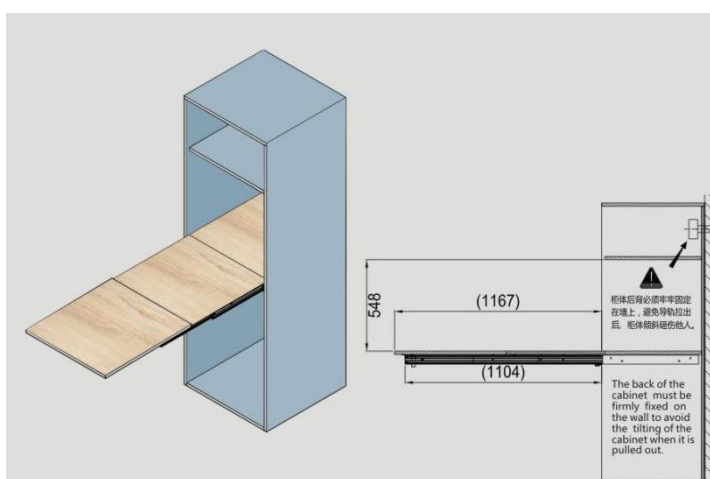


# EB2507 Invisible Pull Out Table Slide



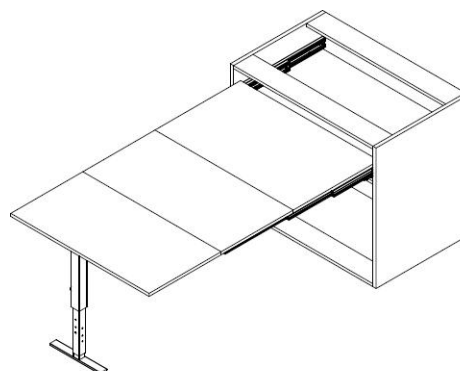
Model	Details
EB2507-745CP	Minimum height : 146mm
	Minimum depth : 555mm
	Extending length : 712mm
	Loading capacity : 40kgs

# EB2508 Invisible Multifunctional Table Slide



Model	Details
EB2508-1167CP	Minimum height : 548mm
	Minimum depth : 550mm
	Extending length : 1167mm
	Loading capacity : 40kgs

**EB2509 Invisible Pull Out Table Slide with Single Table Leg**



Model	Details
EB2509-900CP	Minimum height : 750mm
	Minimum depth : 555mm
	Extending length : 900mm
	Loading capacity : 70kgs



# FURNITURE FITTING SERIES

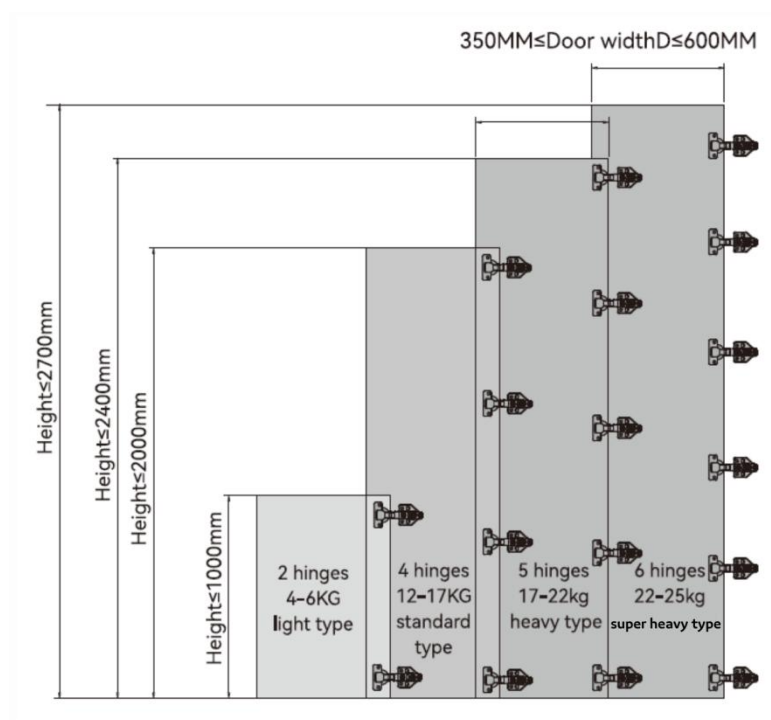


## Push Rebound Door Opener



Model	Detail	Colour
FF9964-DG	Push Rebound with Magnet	Grey
FF9965-DG	Push Rebound with Rubber	

## Push Rebound Door Opener with Hinges



Model	Detail	Colour
FF9101-LTDG	4-6kg Light Type Push Rebound + 2 Soft Close Hinges	Grey
FF9101-STDG	12-17kg Standard Type Push Rebound + 4 Soft Close Hinges	
FF9101-HTDG	17-22kg Heavy Type Push Rebound + 5 Soft Close Hinges	
FF9101-SHTDG	22-25kg Super Heavy Type Push Rebound + 6 Soft Close Hinges	

## Undermount Full Extension Soft Closing Drawer Slides



Model	Detail	Colour
EF2361-PI10ZN	Pio 10" 250mm Full Extension Undermount Drawer Slides	Zinc
EF2361-PI12ZN	Pio 12" 300mm Full Extension Undermount Drawer Slides	
EF2361-PI14ZN	Pio 14" 350mm Full Extension Undermount Drawer Slides	
EF2361-PI16ZN	Pio 16" 400mm Full Extension Undermount Drawer Slides	
EF2361-PI18ZN	Pio 18" 450mm Full Extension Undermount Drawer Slides	
EF2361-PI20ZN	Pio 20" 500mm Full Extension Undermount Drawer Slides	
EF2361-PI22ZN	Pio 22" 550mm Full Extension Undermount Drawer Slides	

## Full Extension Soft Closing Drawer Slides



Model	Detail	Colour
EF2362-PI1210BK	Pio 12" 300mm Full Extension Soft Closing Drawer Slides	Black
EF2362-PI14BK	Pio 14" 350mm Full Extension Soft Closing Drawer Slides	
EF2362-PI16BK	Pio 16" 400mm Full Extension Soft Closing Drawer Slides	
EF2362-PI18BK	Pio 18" 450mm Full Extension Soft Closing Drawer Slides	
EF2362-PI20BK	Pio 20" 500mm Full Extension Soft Closing Drawer Slides	
EF2362-PI22BK	Pio 22" 550mm Full Extension Soft Closing Drawer Slides	
EF2362-PI24BK	Pio 24" 600mm Full Extension Soft Closing Drawer Slides	



## Undermount 2 Section Full Extension Drawer Slides



EF 2365  
Soft Closing  
Loading Capacity : 20kg  
50,000 Open-Close Cycle

Model	Detail	Colour
EF2365-PI10ZN	Pio 10" 250mm Full Extension Undermount Drawer Slides	Zinc
EF2365-PI12ZN	Pio 12" 300mm Full Extension Undermount Drawer Slides	
EF2365-PI14ZN	Pio 14" 350mm Full Extension Undermount Drawer Slides	
EF2365-PI16ZN	Pio 16" 400mm Full Extension Undermount Drawer Slides	
EF2365-PI18ZN	Pio 18" 450mm Full Extension Undermount Drawer Slides	



EF 2366  
Push Rebound  
Loading Capacity : 20kg  
50,000 Open-Close Cycle

Model	Detail	Colour
EF2366-PI12ZN	Pio 12" 300mm Full Extension Undermount Drawer Slides	Zinc
EF2366-PI14ZN	Pio 14" 350mm Full Extension Undermount Drawer Slides	
EF2366-PI16ZN	Pio 16" 400mm Full Extension Undermount Drawer Slides	
EF2366-PI18ZN	Pio 18" 450mm Full Extension Undermount Drawer Slides	

# Soft Closing Hinges

304 Stainless Steel



Model	Detail
MH3046-PI00NK	<ul style="list-style-type: none"> <li>✓ 5/8" pio brand hinge</li> <li>✓ 304 Stainless Steel</li> <li>✓ Soft Closing</li> </ul>



Model	Detail
MH3066-PI00NK	<ul style="list-style-type: none"> <li>✓ 5/8" pio brand hinge</li> <li>✓ 2 Stage Force</li> <li>✓ 3-Way Adjustable</li> <li>✓ Detachable Base</li> <li>✓ Small Angle Soft Closing</li> </ul>



Model	Detail
MH3068-PI00NK	<ul style="list-style-type: none"> <li>✓ 5/8" pio brand hinge</li> <li>✓ 2 Stage Force</li> <li>✓ 3-Way Adjustable</li> <li>✓ Small Angle Soft Closing</li> </ul>



**ELT SOLUTIONS SDN. BHD.** (938558D)

## MUAR HQ :



**LOT 770, JALAN JERAM TEPI, 84000 BAKRI, MUAR, JOHOR.**



**06-9866 000 / 011-5501 5202**

## JB BRANCH :



**NO.12, JALAN EKOPERNIAGAAN 1/15, TAMAN EKOPERNIAGAAN,  
81100 JOHOR BAHRU, JOHOR.**



**011-5585 5202**

## PUCHONG BRANCH :



**NO.27&29, JALAN INDUSTRI MAS 3, TAMAN MAS SEPANG,  
47100 PUCHONG, SELANGOR.**



**019-727 5202**

## PENANG BRANCH :



**NO.9, SHOP LOT, PLOT 2510, JALAN INDUSTRI SUNGAI PUYU,  
TAMAN INDUSTRI SUNGAI PUYU, 13400 BUTTERWORTH.**



**011-5585 2029**