

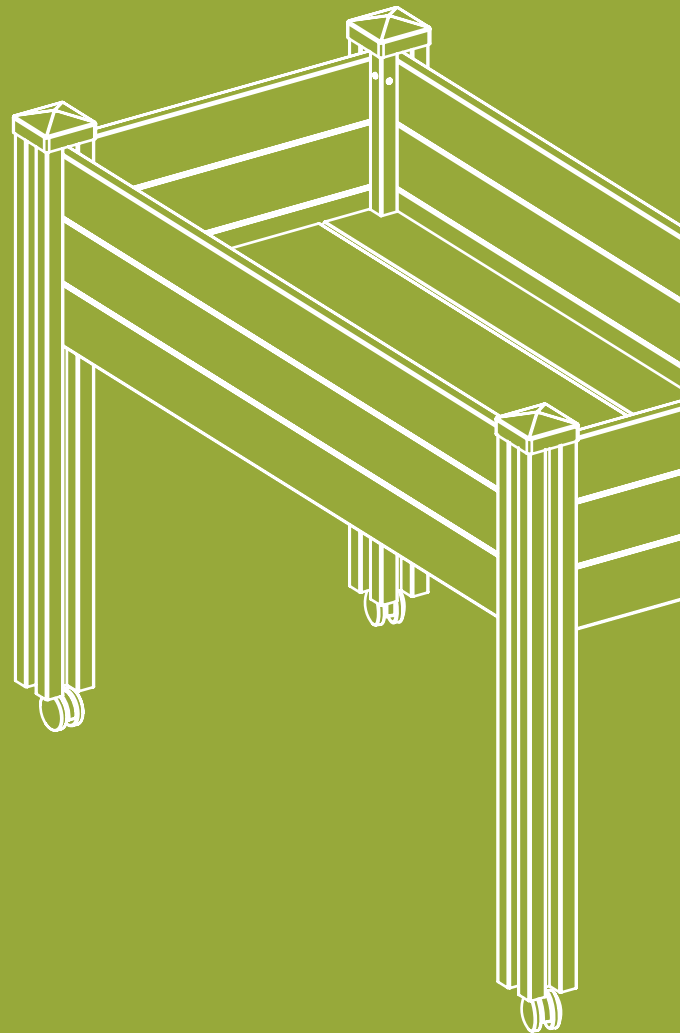
2' x 4'



SunSeeker

Raised Garden
with casters

VT17100
Instruction Manual



Congratulations!

We're thrilled that you chose to purchase a Vita Garden. We're sure that you'll not only grow healthy foods but you'll have fun too.

Your new Vita Garden is a fantastic investment for many reasons:

1. Grow your own healthy organic foods
2. Reduce your water consumption
3. Naturally control weeds
4. Plant earlier (the soil warms faster)
5. Far easier on your back

Warranty

We want you to know that your new garden has a 20 year warranty against:

1. Yellowing
2. Fading
3. Rotting

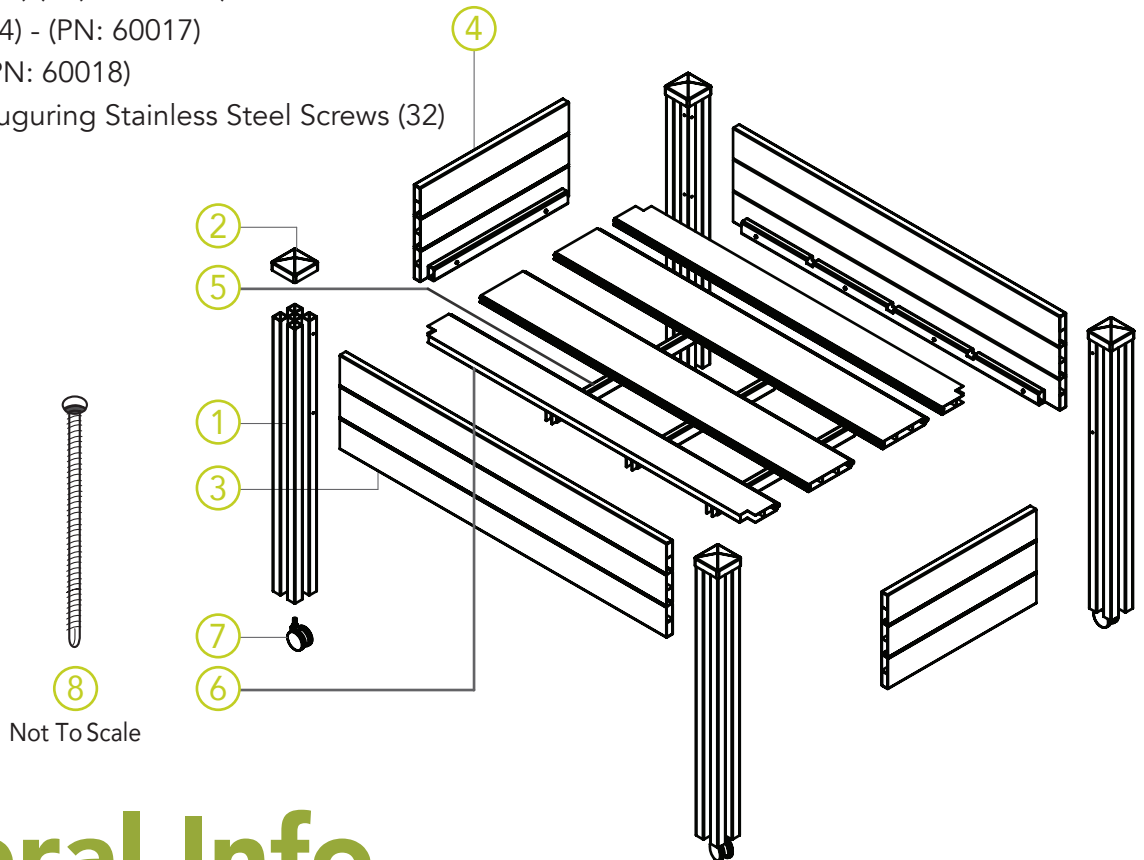
Maintenance is non-existent as a simple spray with a garden hose will clean the bed from dirt, so you can spend more time growing food than maintaining your garden beds.

If you have any questions about your warranty or with your product, please call our customer service department at 1.844.880.VITA (8482), Mon. to Fri. 8:00 AM to 4:00 PM EST.

Box Contents

Before you begin, please check the box for these contents. In the event of missing or defective parts please call our customer service department at 1.844.880.VITA (8482) Mon. to Fri. 8:00 AM to 4:00 PM EST.

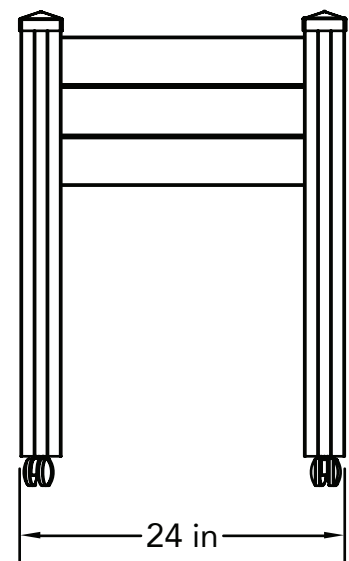
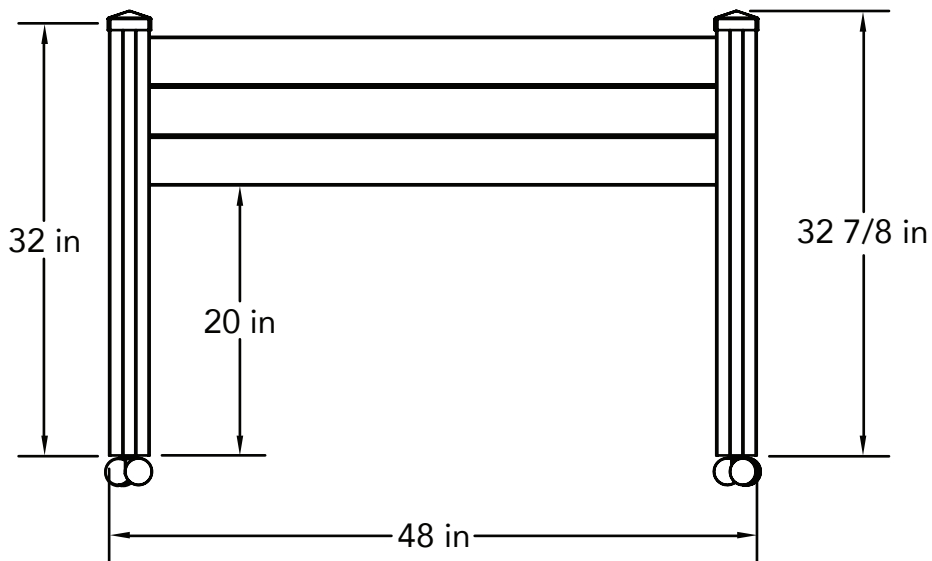
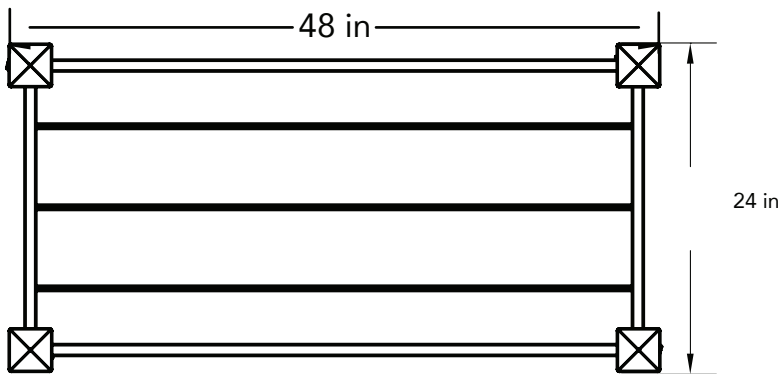
1. Posts (4) - (PN: 60013)
2. Post Caps (4) - (PN: 60023)
3. Long Side Panels (2) - (PN: 60014)
4. Short Side Panels (2) - (PN: 60015)
5. Floor Supports (3) - (PN: 60016)
6. Floor Boards (4) - (PN: 60017)
7. Casters (4) - (PN: 60018)
8. 2-1/2" Self-Auguring Stainless Steel Screws (32)
(PN: 20009-1)



General Info

- Read Instructions through carefully before beginning assembly.
- When assembling components, place on a non-abrasive surface (*i.e. shipping box*) to avoid scratching.
- We recommend an area approx 4'x 8' for unobstructed assembling.
- You should not need to use excessive force when assembling components.

Dimensions



Getting started

Follow these simple instructions to assemble your new Raised Garden.

1. Recycle your cardboard box packaging with your local recycling facility. This box has been printed using environmentally friendly inks.
2. Fill new garden with organic soil. We usually recommend a mixture of 1/3 Vermiculite to 1/3 Compost to 1/3 Peat Moss or Coconut Coir.
3. Plant your veggies. Your local nursery for the best vegetables for the growing zone that you live in.

If you have any assembly, installation or warranty issues please call us toll-free at 1.844.880.VITA (8482) between 8:00 AM - 4:30 PM Monday to Friday EST. You'll get a real live person and we'll solve your issue faster than you can say **Organic!**

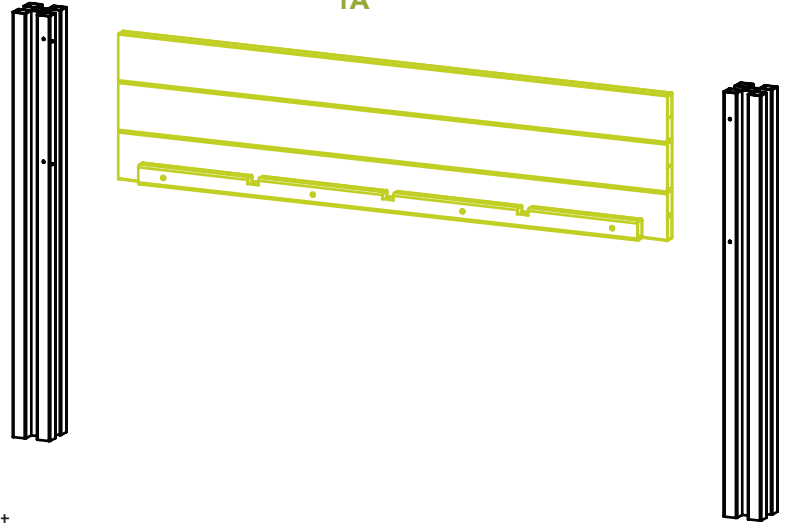
Be sure to visit VitaGardens.com for tips and suggestions.

Happy Growing!

1

Step 1A

Insert one side panel between the posts as shown. Note the locations of the pre-drilled holes. They should all be facing 'inwards'.

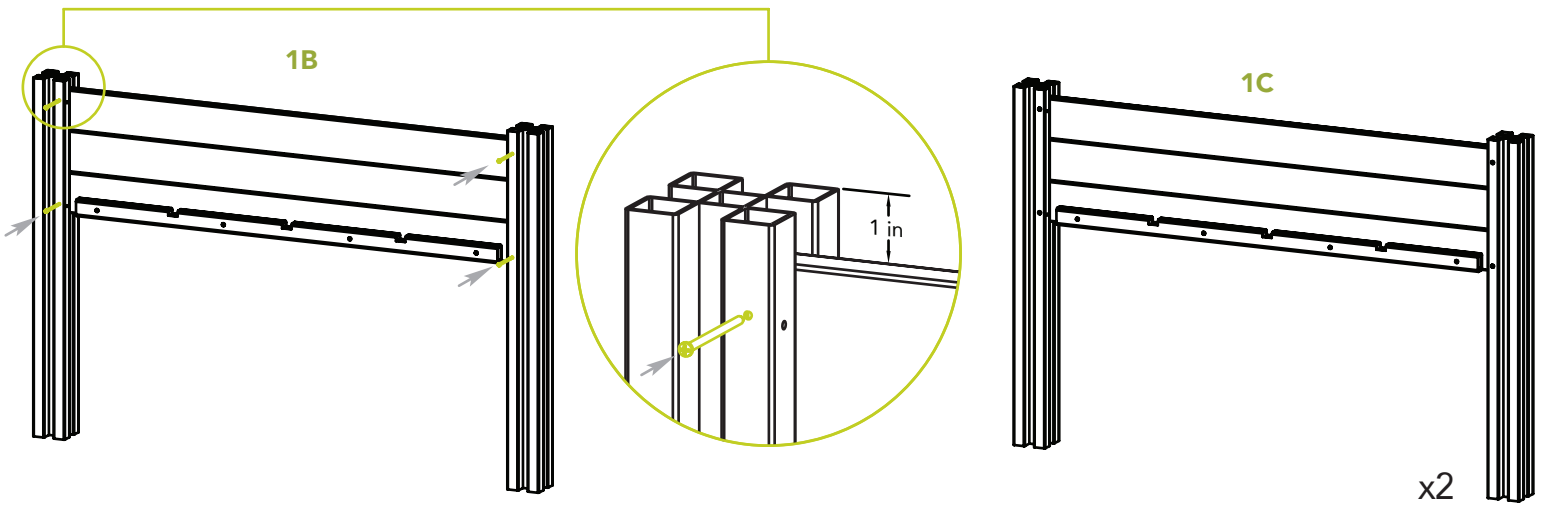


Step 1B

Measure 1 inch down from the top of the post, and fasten the side panel through the pre-drilled holes as shown. Four screws will be needed.

Step 1C

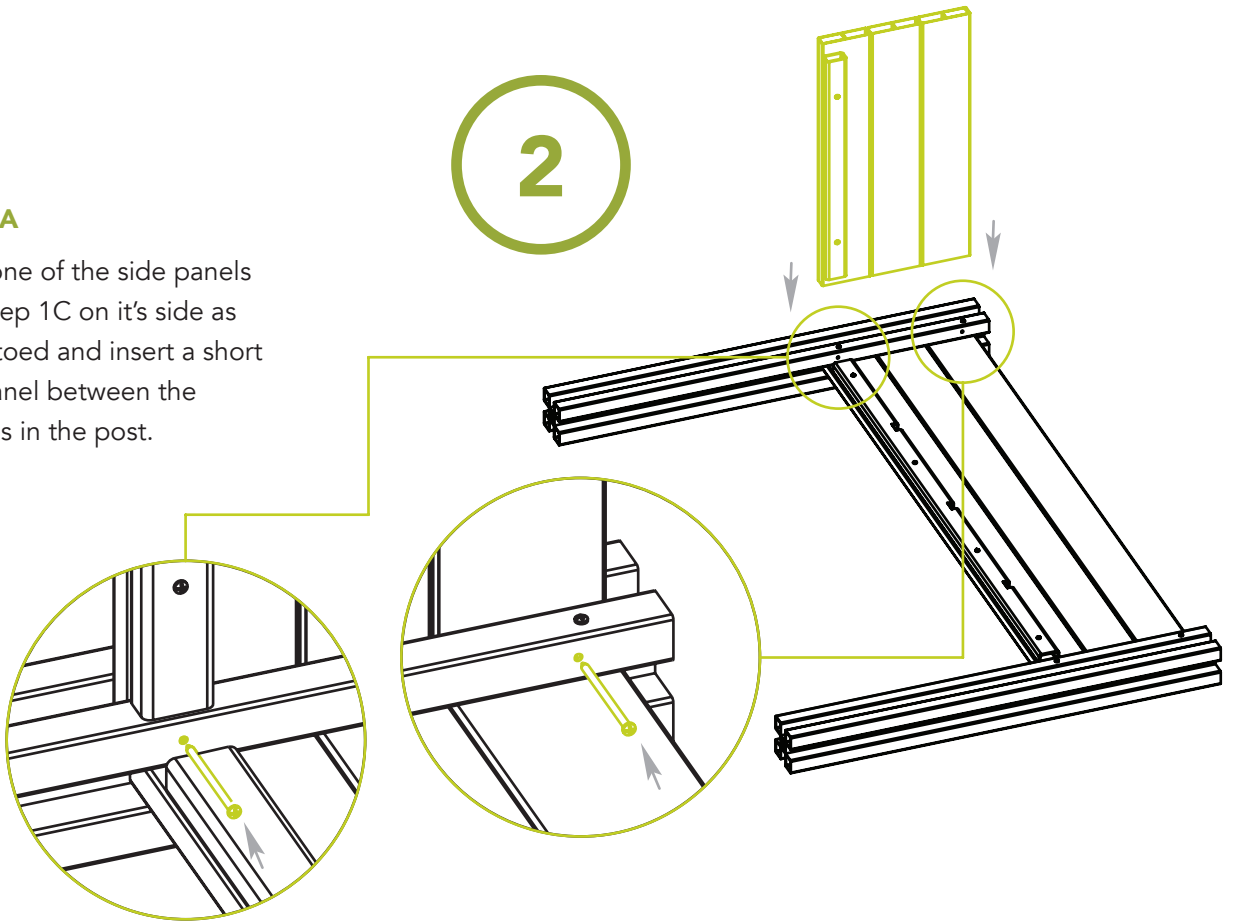
Repeat steps 1 and 2 for the second side panel.



2

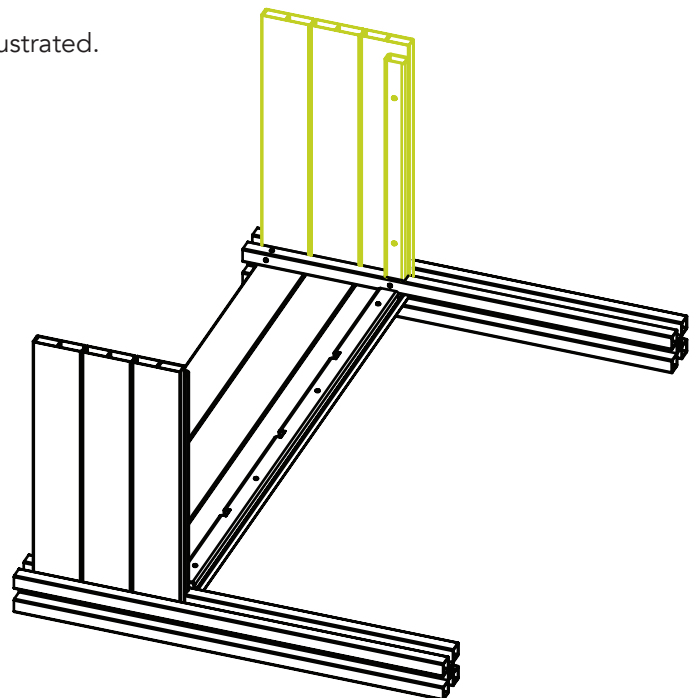
Step 2A

Place one of the side panels from step 1C on it's side as illustrated and insert a short side panel between the grooves in the post.



Step 2B

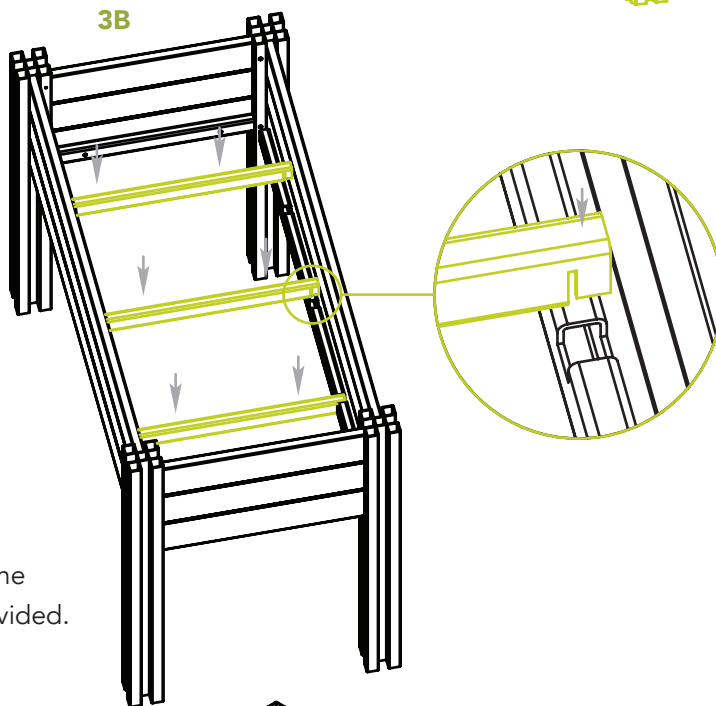
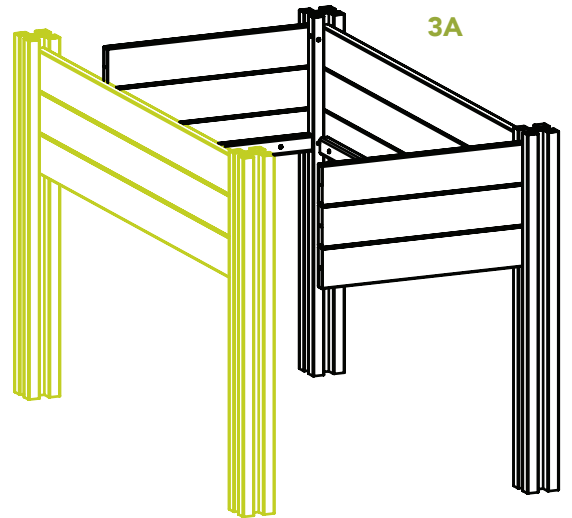
Insert and fasten the second short side panel as illustrated.



3

Step 3A

With a helper, stand up the assembly from the previous step and attach the second long side panel assembly as illustrated.

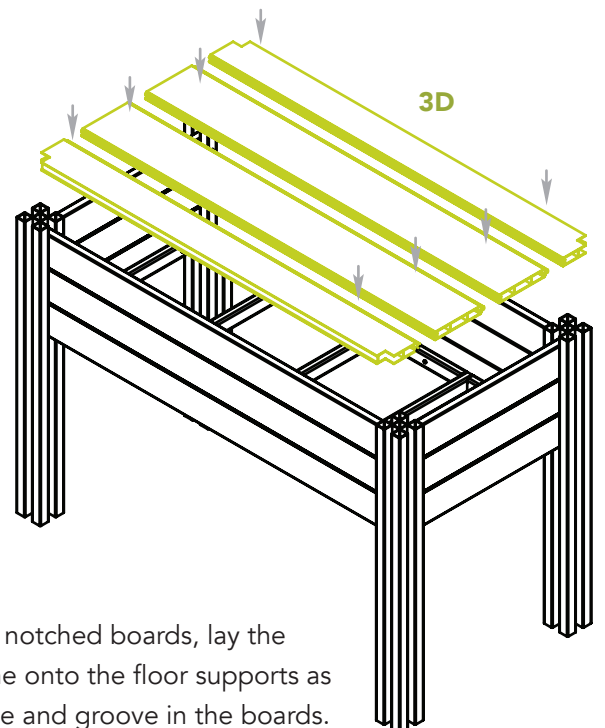
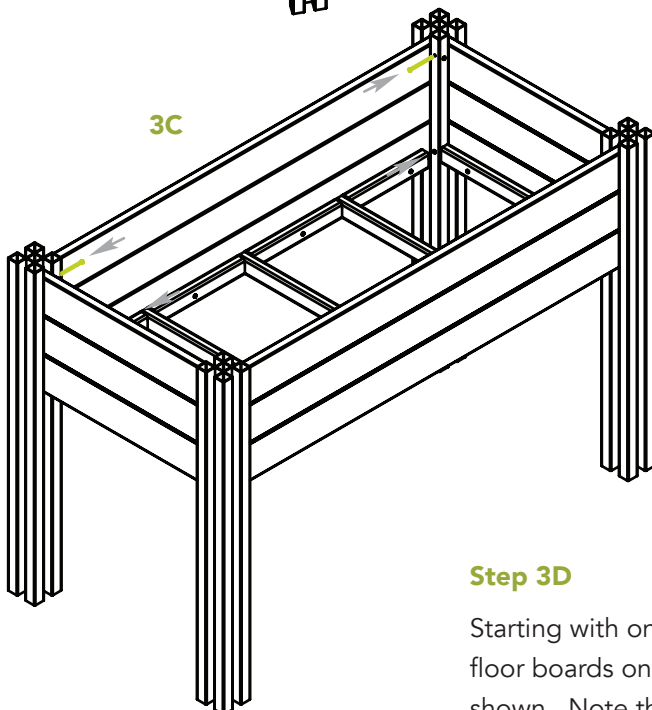


Step 3B

Lock the bed together using three floor supports as illustrated. The notches in the floor supports should line up with the notches in the long side panel floor support.

Step 3C

Fasten the side panels to the posts using the screws provided.



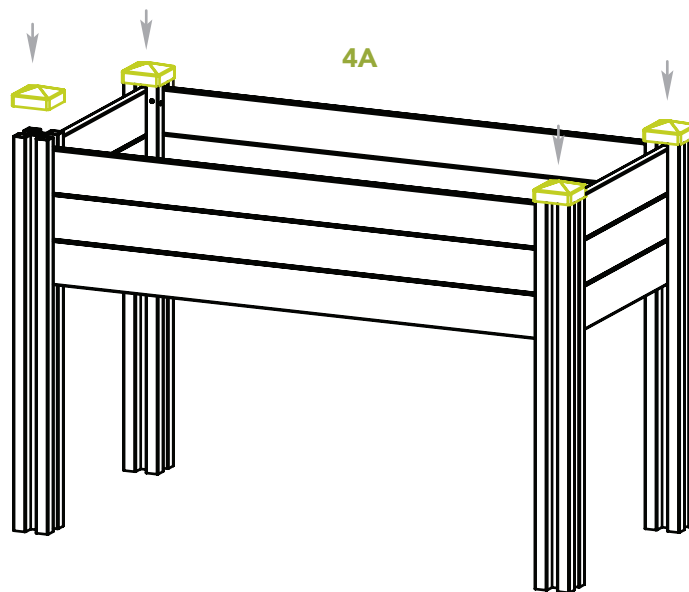
Step 3D

Starting with one of the notched boards, lay the floor boards once by one onto the floor supports as shown. Note the tongue and groove in the boards.

4

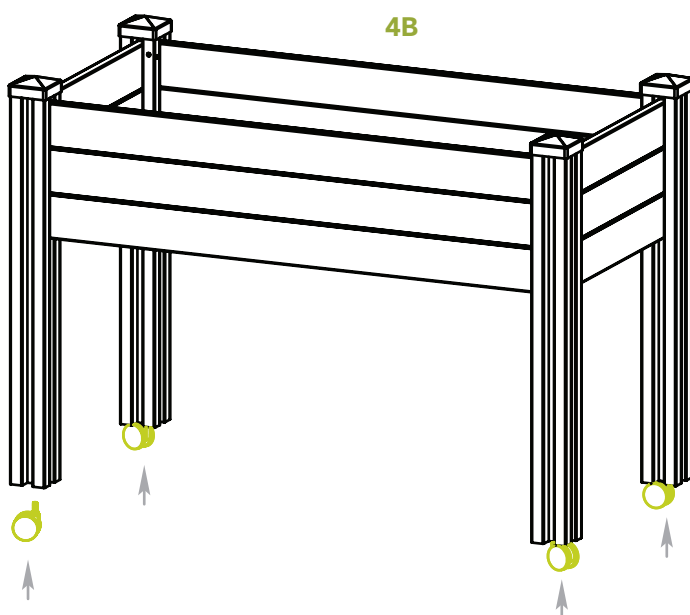
Step 4A

Insert the four post caps onto the post as shown.



Step 4B

With a helper, lift one post at a time and insert the caster into the bottom of the post as illustrated. The casters will lock into place once fully inserted.





vita

The world needs vegetables.

www.vitagardens.com