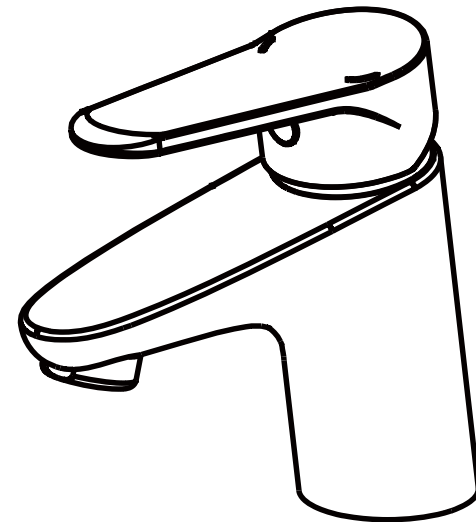


An instruction manual

MANUAL

Hardware bathroom



Some pictures in this manual are schematic pictures for reference only. If the pictures are inconsistent with the real object, the real object shall prevail!

V1.0

- Please read this manual carefully and use this product correctly.
- Please keep it with the warranty card after reading it for future reference.
- Please listen to the opinions of the purchasing store and carefully fill in the purchase date and the name of the purchasing store.

catalogue

Installation instructions	-----	01
Installation of single hole cold and hot tap	-----	02
Installation of single hole cold and hot tap	-----	03
Installation of concealed basin faucet	-----	04
Small shower installation	-----	05
Large shower installation	-----	06-07
Concealed sprinkler installation	-----	08-09

INSTALLATION INSTRUCTIONS:

1. In order to avoid improper installation, it is strongly recommended that personnel with plumbing installation qualification install it.
2. Please understand this instruction in detail before installation and install as required to avoid unnecessary losses.
3. Open the package and check whether the product is in good condition. Tools and materials required for installation will not be supplied. Please bring them by yourself.
4. The relevant information contained in this manual is based on the latest status of the printed products. The company reserves the right to modify the product characteristics, packaging or supply without further notice.
5. This instruction contains important contents such as precautions, waterway map, contact information, etc. Please keep them properly.
6. The views and dimensions shown in this instruction are for reference only. Please refer to the real object and the actual situation.
7. Before installing and using this product, users should carefully read and understand the relevant contents in the instructions, and install and use it in strict accordance with the instructions. The company will not be responsible for the consequences caused by installation and use not in accordance with the product instructions.

MATTERS NEEDING ATTENTION:

1. Be sure to clean up the impurities in the pipeline before installation to avoid blockage.
2. The main body of the embedded box needs to be connected with high-quality PPR pipe and embedded in the wall before tiling.
3. For the embedding depth of the embedded box, please refer to the corresponding product of this instruction for embedding.
4. The cold and hot water supply pipes of the valve body must be connected correctly, that is, when facing the valve body, the left side is connected with hot water and the right side with cold water. For details, please refer to the corresponding products in this instruction for reference connection.
5. After the valve body is correctly connected to the corresponding pipeline, please be sure to conduct a 10kg (1.0MPa) pressure test. This step is very important to check whether there is water leakage in the connection between the valve body and the pipeline, so as to find out the problems and remedy them in time.
6. The water pipeline connecting the product in the wall is a part of all the water pipelines in the family, which is generally made by the decoration company or purchased by itself. This product does not come with PPR pipeline.

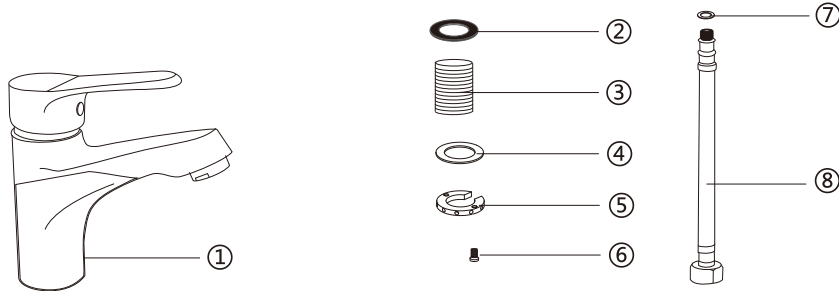
MAINTENANCE COMMON SENSE:

1. Use clean water and cotton cloth to remove surface dirt.
2. Spray detergent (mild liquid, colorless glass detergent; acid free, powder detergent can be completely dissolved; wear free polishing oil) onto the rag, and then wipe the surface with the rag.
3. After cleaning, the surface must be washed with enough water to remove the residual detergent on the product surface, and wiped dry with cotton cloth.

Single hole hot and cold basin faucet

The installation procedure is the same as that of single hole kitchen faucet

After you unpack the product, please check the accessories in the following table and figure. If there is a shortage, please contact customer service immediately.



Single handle hot and cold basin faucet					
Serial number	Accessory name	Quantity	Serial number	Accessory name	Quantity
①	Faucet main group	1	⑤	Dental braces	1
②	O-washer	1	⑥	Screw	2
③	Dental canal	1	⑦	Rubber ring	2
④	Shim	1	⑧	Braided hose	2

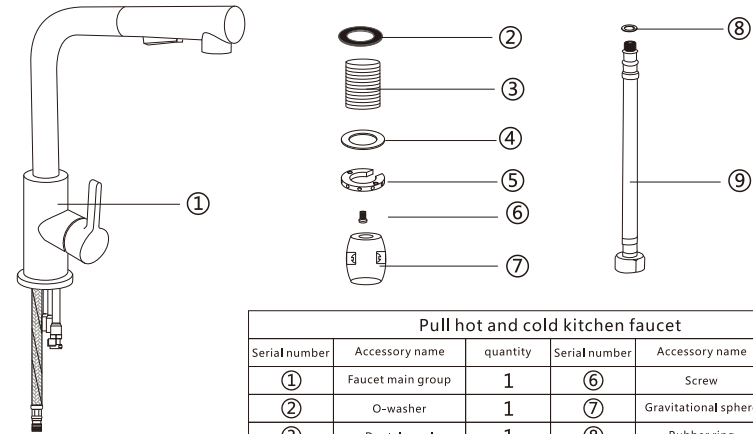
Installation steps

1. As shown in the figure, connect the water inlet hose ② to the cold and hot water inlet holes of the tap body respectively;	2. Install the faucet main body group ① on the mounting hole of the table or sink basin;	3. Install the stainless steel gasket ④, tooth sleeve ③ and fixing nut ⑥ in turn and tighten the fixing nut. (Note: the nut should not be locked too tightly to avoid cracking at the connection between the basin and the faucet or between the table and the faucet)
4. Connect the braided pipe ⑧ to the angle valve (facing the faucet, hot on the left and cold on the right)		

Pull hot and cold kitchen faucet

The installation procedure is the same as that of the faucet of the pull basin

After you unpack the product, please check the accessories in the following table and figure. If there is a shortage, please contact customer service immediately.



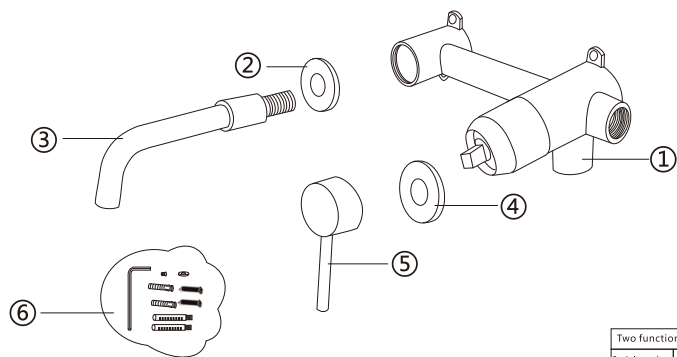
Pull hot and cold kitchen faucet					
Serial number	Accessory name	quantity	Serial number	Accessory name	quantity
①	Faucet main group	1	⑥	Screw	2
②	O-washer	1	⑦	Gravitational sphere	2
③	Dental canal	1	⑧	Rubber ring	2
④	Shim	1	⑨	Braided hose	2
⑤	Dental braces	1			

Installation steps

1. As shown in the figure, connect the water inlet hose ② to the cold and hot water inlet holes of the tap body respectively;	2. Install the faucet main body group ① on the mounting hole of the table or sink basin;	3. Install the stainless steel gasket ④, tooth sleeve ③ and fixing nut ⑥ in turn and tighten the fixing nut. (Note: the nut should not be locked too tightly to avoid cracking at the connection between the basin and the faucet or between the table and the faucet) and install the gravity ball
4. Connect the hot and cold water inlet pipe with the pull-out pipe	5. Connect the braided pipe ⑧ to the angle valve (facing the faucet, hot on the left and cold on the right)	

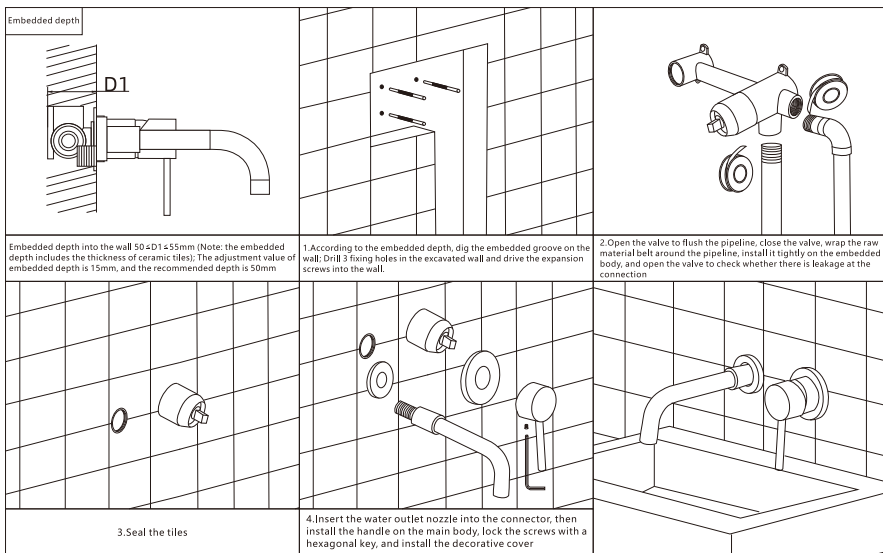
Concealed hot and cold basin faucet

After you unpack the product, please check the accessories in the following table and figure. If there is a shortage, please contact customer service immediately.



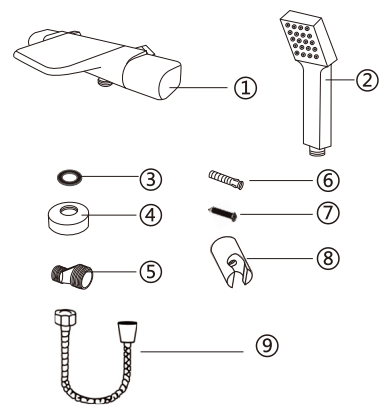
Two function constant temperature shower		
Serial number	Accessory name	Quantity
①	Faucet body	1
②	Outlet nozzle-decorative cup	1
③	Water outlet nozzle	1
④	Handle decorative cup	1
⑤	Handle	1
⑥	Accessory bag	1

Installation steps



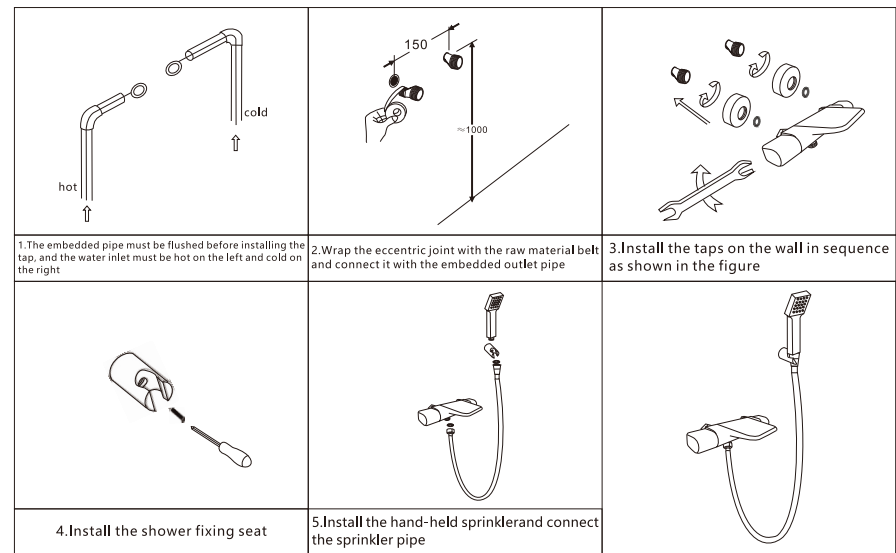
Small shower

After you unpack the product, please check the accessories in the following table and figure. If there is a shortage, please contact customer service immediately.



Three piece decent basin faucet		
Serial number	Accessory name	Quantity
①	Faucet main group	1
②	Hand held shower	1
③	Rubber ring	2
④	Decorative cup	2
⑤	Crural foot	2
⑥	Colloidal particles	2
⑦	Screw	2
⑧	Shower stand	1
⑨	Sprinkler pipe	1

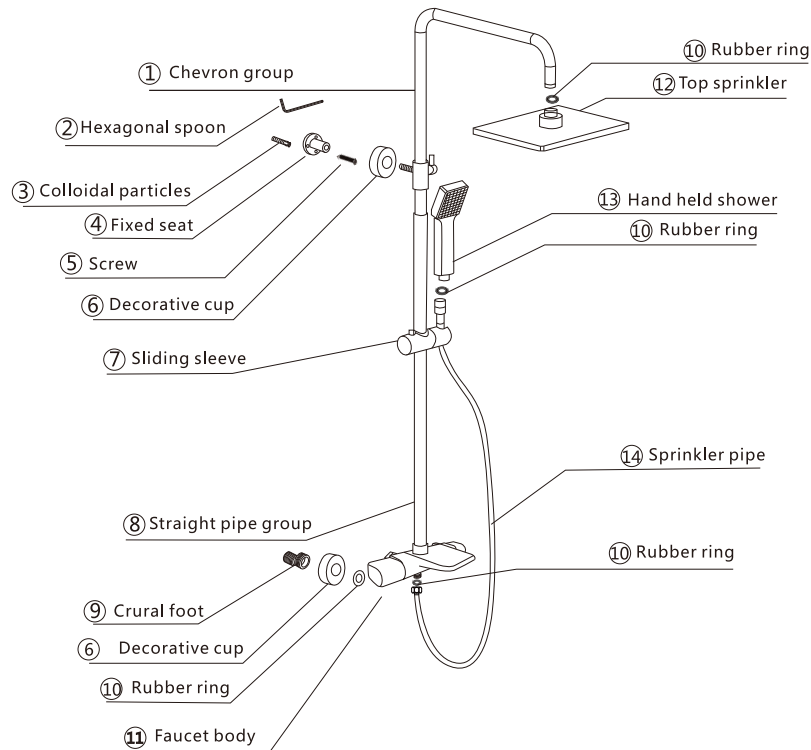
Installation steps



Big shower

After you unpack the product, please check the accessories in the following table and figure.
If there is a shortage, please contact customer service immediately.

Product introduction



Open shower							
Serial number	Quantity	Serial number	Quantity	Serial number	Quantity	Serial number	Quantity
①	1	⑤	3	⑨	2	⑬	1
②	1	⑥	3	⑩	5	⑭	1
③	3	⑦	1	⑪	1		
④	1	⑧	1	⑫	1		

Big shower

After you unpack the product, please check the accessories in the following table and figure.
If there is a shortage, please contact customer service immediately.

Installation steps

1. Wrap the bent foot with the raw material belt and connect it with the embedded water pipe in the wall (Note: ① the length of the bent foot exposed to the wall should be consistent and vertical to the wall, otherwise there is the possibility of water leakage; ② the connection of the cold and hot water inlet pipe must be accurate, otherwise the tap cannot be used normally).

2. Install the curved foot cup onto the curved foot on the wall and rotate it to fit the wall.

3. Measure the installation position of the fixed base according to the actual size of the product, drill holes on the wall after marking, and punch the self tapping rubber particles into the holes, then fix the fixed base on the wall with self tapping screws, and then cover the decorative cover after it is fixed.

4. Install the washer into the nut, then connect the main body group with the bent foot, tighten the nut with a wrench, insert the fixed seat on the rising rod into the fixed seat on the wall, and tighten it with a hexagonal wrench after adjusting the position. If the position of the product is slightly out of alignment during installation, the partial bath pipe support can be adjusted appropriately.

5. Note: when the top nozzle will rise due to excessive water pressure, please use the auxiliary rotating handle to lock it until the top nozzle will not rise again, especially remind not to use too much force, otherwise the top nozzle will be deformed.

6. Sprinkle the top spray onto the outlet elbow to ensure the connection is firm; Then connect the faucet main body and the portable sprinkler with the sprinkler chain.

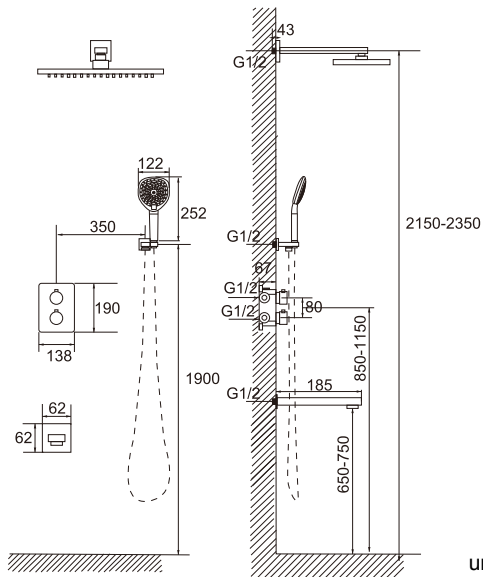
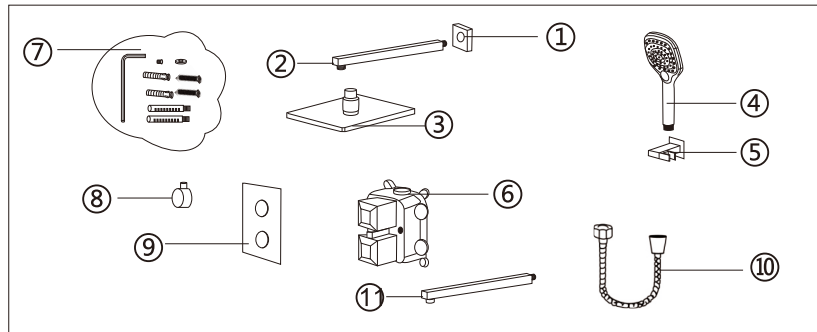
7. The lifting method of the rising stem is to loosen the handle on the side of the fixed seat group on the rising stem to adjust the height of the rising stem, and lock the handle after adjustment.

8. After the product is installed, operate according to the test method in Item 7 of the catalog, check the operation of the top spray sprinkler and the hand-held sprinkler, and check the water outlet of the top spray sprinkler and the hand-held sprinkler (Note: please check the use method for the switching mode of the top spray sprinkler and the hand-held sprinkler).

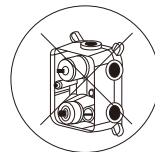
Three function concealed shower

After you unpack the product, please check the accessories in the following table and figure.
If there is a shortage, please contact customer service immediately.

Product introduction



Serial number	Accessory name	Quantity
①	Decorative cup	2
②	Wall elbow	1
③	Top spray	1
④	Hand held shower	1
⑤	Shower fixing seat	1
⑥	Embedded box	1
⑦	Accessory bag	1
⑧	Handle	2
⑨	Panel	1
⑩	Sprinkler pipe	1
⑪	Downcomer	1



unit:mm

Three function concealed shower

After you unpack the product, please check the accessories in the following table and figure.
If there is a shortage, please contact customer service immediately.

Installation steps

