

Installation Manual

Accessories List

Please check the number of accessories carefully before installation and check that they are in good condition.



1

Thread seal tape



2

Water inlet joint



X4

3

M4x30 Screw



X4

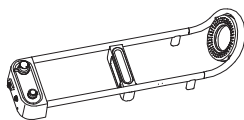
4

M4 Wall anchor



5

Hexagon wrench



6

Body mixer



X2

7

Hexagon screw



X2

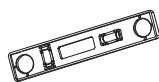
8

Bracket basement



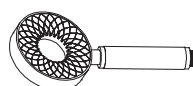
9

M4x12 Screw



10

Levelling instrument



11

Hand shower



12

Hose



13

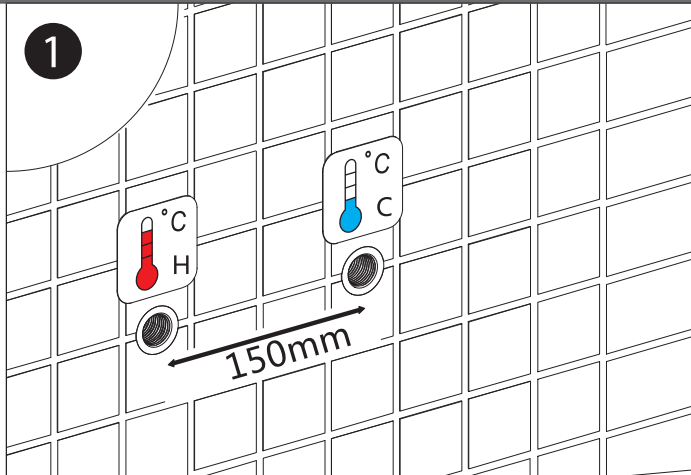
Rubber gasket



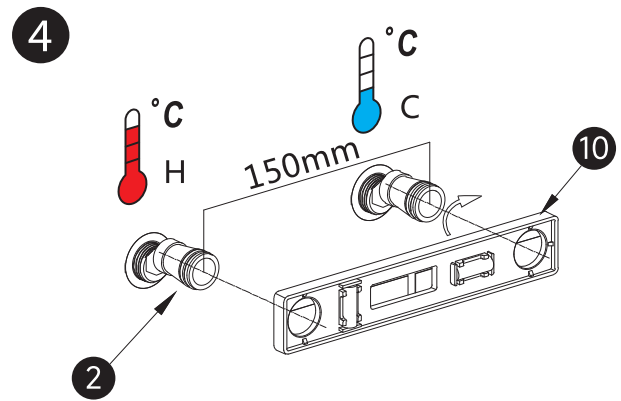
14

Hand shower bracket

Installation Procedure



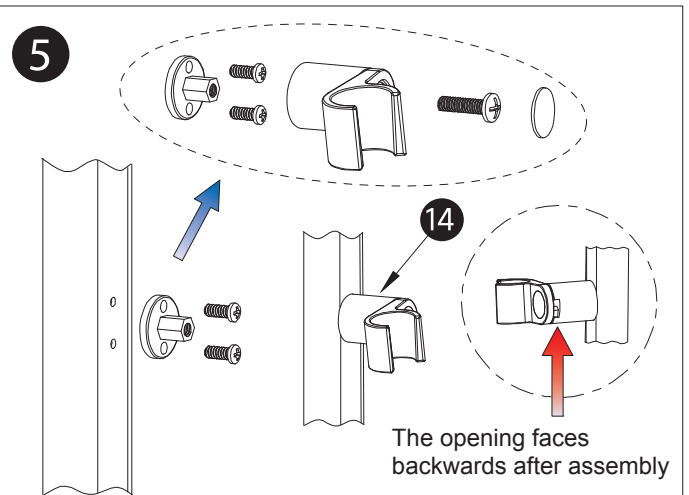
The centre distance of the water pipes is 150mm. The G1/2 outlets are on a parallel line.



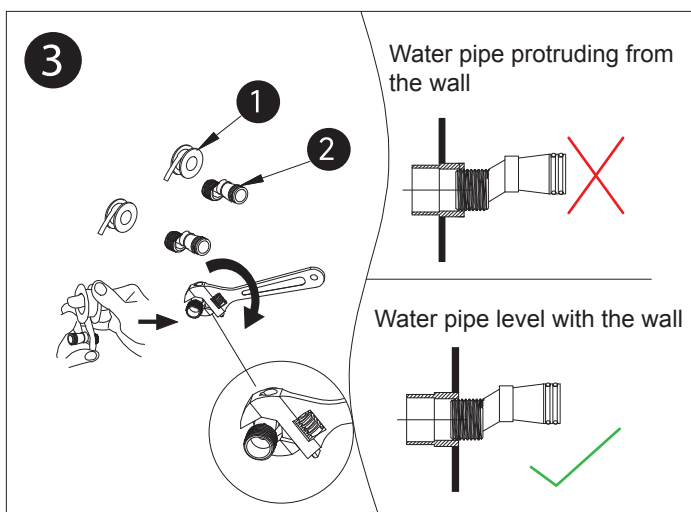
Level the product with (10) leveling instrument and adjust the centre distance of the (2) water inlet to 150mm.



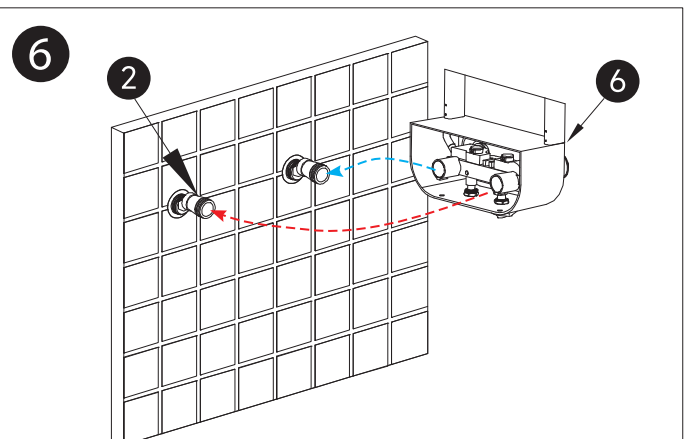
Remove foreign bodies from pipes before installing products. The installation of pipes must follow: hot on the left and cold on the right.



Loosen the screws of the (14) hand shower bracket. Place the (14) loose fittings over the two holes in the main body and screw them. Put the kit for the (14) hand shower bracket onto the fixed fitting and lock it with screws, then place the small cover.

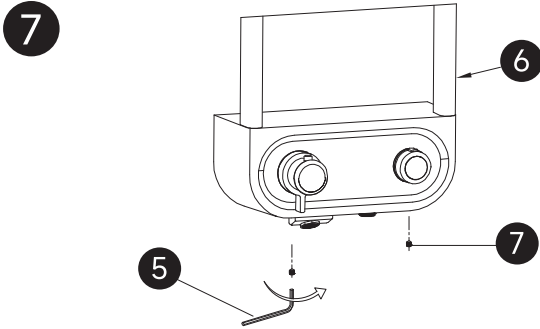


Wrap the (1) thread seal tape on (2) water outlet joint, Screw the (2) water outlet joint to the hot/cold water inlet on the wall.

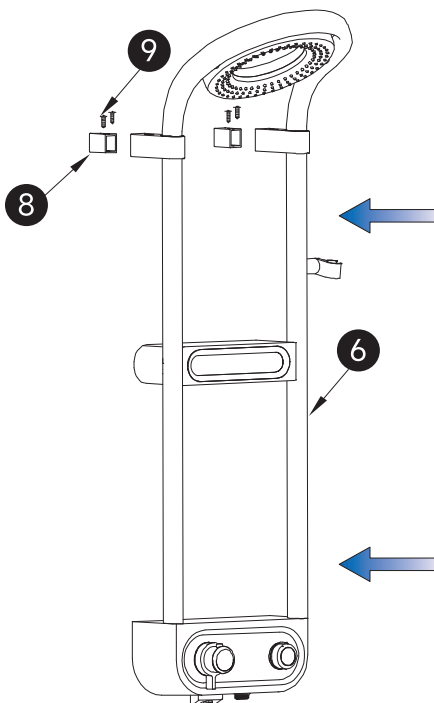
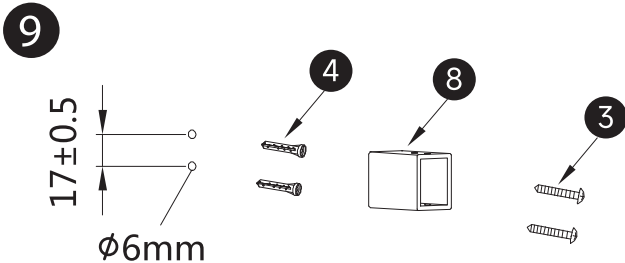


Insert the (6) mixer into (2) water inlet joint.

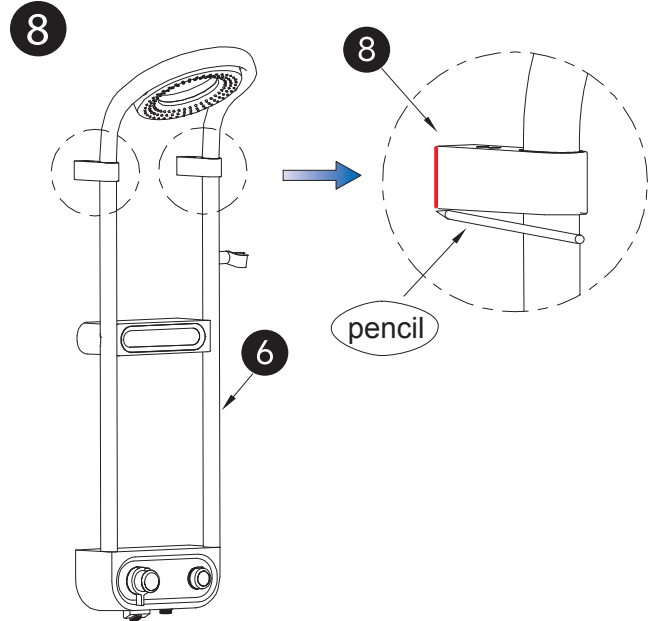
Installation Procedure



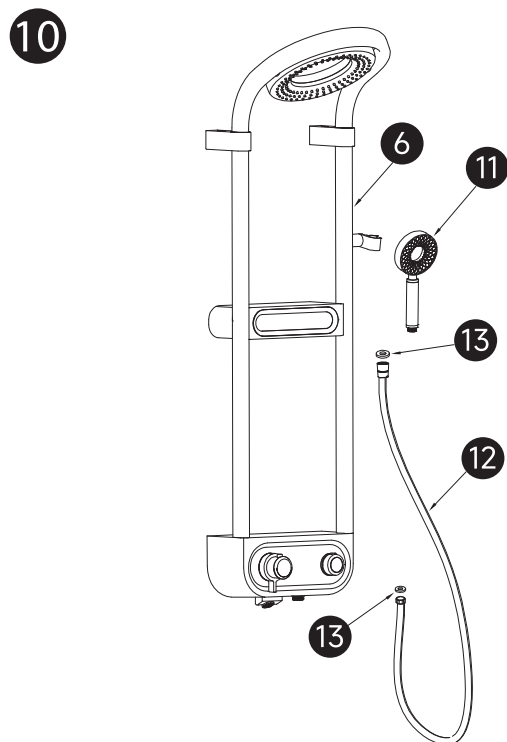
Screw the (7) hexagon screw into the (6) mixer with (5) hexagon wrench and tighten.



Remove the (6) main body, drill a hole in the wall at the marked position of the (8) bracket basement, hammer a (4) wall anchor into the hole and fix the (8) bracket basement with a (3) screw. Insert (6) main body into the (2) water inlet joint, insert the upper end into the secured (8) bracket basement and lock with (9) screws.



Level the (6) main body against the wall, insert the (8) bracket basement into the outer basement, place the (10) levelling instrument on the shelf to keep the (6) body level and mark on the (8) bracket basement with a pencil.



Place (13) rubber gasket into one (12) hose end and screw it to joint of the (6) mixer bottom. Screw the other hose end to (11) hand shower.