


BOX AIR klima


Cover Clima


The cover system for heat pumps and external air conditioning units, designed and manufactured entirely in Italy.

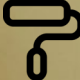
www.boxairklima.com





 Enhances the building's design

 Protects the heat pump

 Reduces noise

 Customisable for every style

 Easy installation

 Versatile and adaptable

October 2023

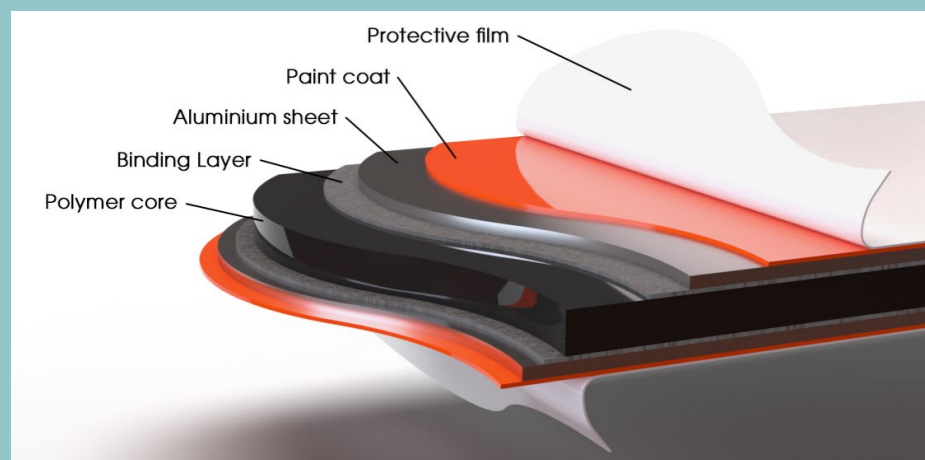


From M2 Work's experience, Box Air Klima is the premier manufacturer of high-quality air conditioner heat pump covers. Founded by Marco Capitani in Italy, our company is dedicated to providing innovative solutions for protecting and enhancing the performance of your air conditioning system.

As the owner and founder of Box Air Klima, Marco brings a wealth of experience and expertise to our operations. With a passion for design and a commitment to quality, he oversees every aspect of the design and production process, ensuring that every cover we produce is of the highest possible standard.

At Box Air Klima, we take pride in the fact that all of our products are 100% made in Italy. We use only the finest materials, including composite aluminium and stainless steel hardware, to create covers that are both durable and aesthetically pleasing. Our team of skilled craftsmen take great care in the production of each cover, ensuring that every detail is perfect.

Whether you're looking to protect your air conditioning system from the elements or simply enhance the appearance of your outdoor space, Box Air Klima has the perfect solution for you. With a commitment to quality and a passion for design, we're proud to be the premier manufacturer of air conditioner heat pump covers in Italy and beyond.



The shell of our cases is made of aluminium composite, with a solid, lightweight polymer panel enclosed between two strong layers of painted aluminium.

Aluminium composite is a lightweight yet durable material that offers excellent protection against the elements and everyday wear and tear. It is corrosion-, weather- and UV-resistant, ensuring a long, maintenance-free life.

The support elements, brackets and hardware are made of robust, stainless steel.

Contents:

Box Air Klima	2
Table of contents	3
Cover Clima Blade	4
Cover Clima Curve	6
Cover Clima Provence	8
Cover Clima Bird	9
Cover Clima Big Blade	10
Cover Clima System	12
Accessories	13
Dimensions	14
Cover Clima Hi-Fi	16
EV charging station covers	18
Solar inverter covers	20

Cover Clima **BLADE**

A rigorous and elegant architectural shape, suitable for any installation.



Cover Clima *Curve*

A smooth and enveloping style,
classical and innovative at the
same time.



Cover Clima Provence

A line inspired by the endless lavender fields of southern France.



Cover Clima BIRD

A design inspired by the ancient oriental art of Origami, original and ageless.



Cover Clima Big Blade

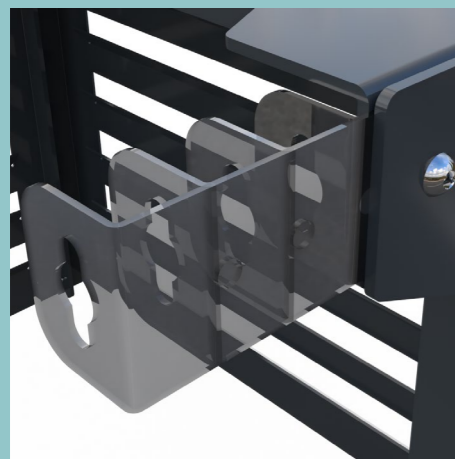
Designed for the heat pump maximum protection and efficiency, Big Blade fits the largest external units.



Cover Clima SYSTEM

Cover Clima is an innovative and reliable solution for protecting air conditioner outdoor units and heat pumps.

The system consists of a range of aluminium composite covers, available in different designs, colours and sizes, perfectly adapted to different installations. With an aesthetically pleasing and well thought-out design, the covers not only offer an elegant appearance, but are also incredibly strong. Unlike cheaper sheet metal covers on the market, the Cover Clima system offers a higher quality, effective sun protection and reduced noise from driving rain.

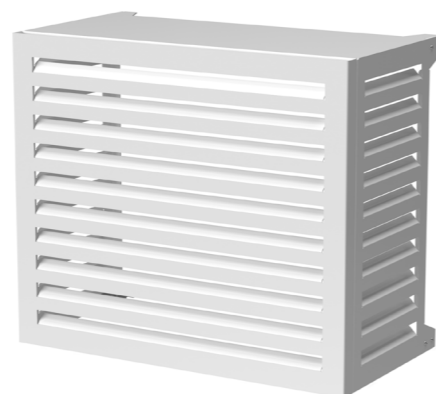


Thanks to its adjustable bracket, the distance of the cover from the wall can be varied from zero to 60mm.

Available colours:



Anthracite



White (paintable)

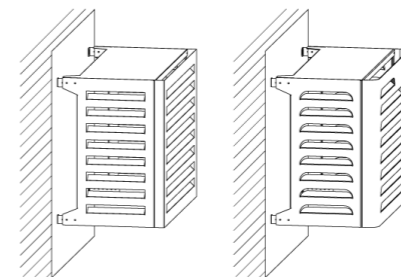
The cover conceals and protects the heat pump, but it must also ensure perfect ventilation. The large louvres of our covers ensure a large ventilation surface, but this is not enough: the phenomenon of air stagnation must be avoided.

The risk of a poorly designed cover is that the hot air emitted by the heat pump is sucked back into the radiator, reducing efficiency, increasing consumption and limiting the life of the unit. This is why our covers have large openings, strategically placed where the hot air accumulates and the cold air is sucked in.

Countless installation possibilities

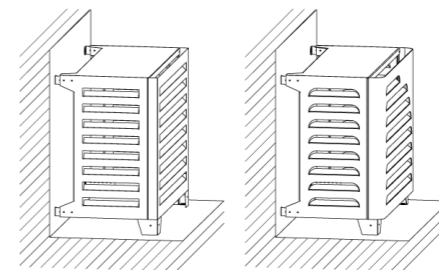
WALL-MOUNTED

The standard Cover Clima installation.



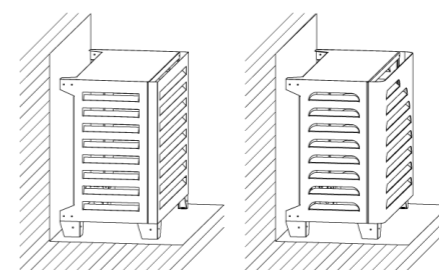
WALL-MOUNTED, FLOOR LEVEL

If the heat pump is close to the ground, match a pair of adjustable feet to the chosen Clima Cover.



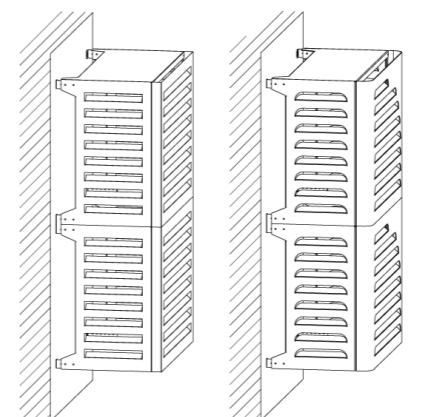
FLOOR-STANDING

When it is not possible to fix it to the wall, use two pairs of feet to rest the Cover Clima on the floor.



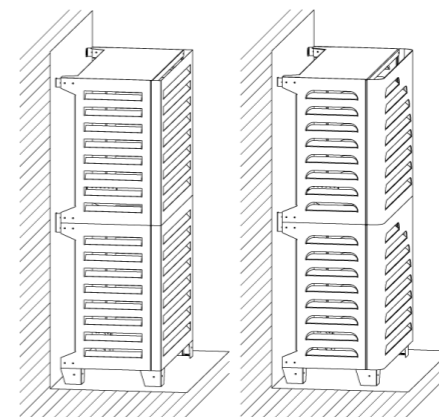
STACKED WALL-MOUNTED

Two or more Clima Cover of the same type and size can be stacked using the double height kit.



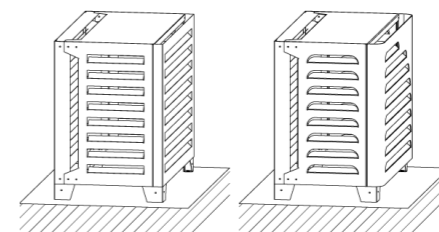
STACKED FLOOR-LEVEL

Two or more Clima Covers of the same size can be stacked using the double height kit and placing the lower part on the ground, with the use of one or two pairs of adjustable feet.



INDEPENDENT

If the heat pump is fixed to the floor away from the wall, select the desired Clima Cover and a rear panel plus two pairs of adjustable feet.



A complete range of accessories to customise the installation of Clima Covers, available in the same colours as the covers.

Piedini regolabili



Piedini regolabili (2x)



Kit Doppia altezza



Kit Doppia altezza



Pannello posteriore



Cover Clima SYSTEM

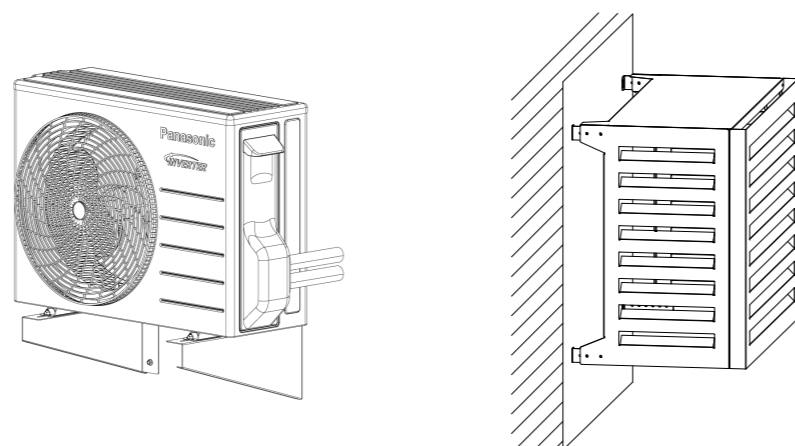
Cover Clima Blade, Curve, Provence and Bird are available in size S, M and L. Adjustable feet and rear panel are sold separately.

Cover Clima Big Blade is available in size XL, XXL, VS and VL in complete kits with all accessories included. Select kit according to installation type.



Wall-mounted

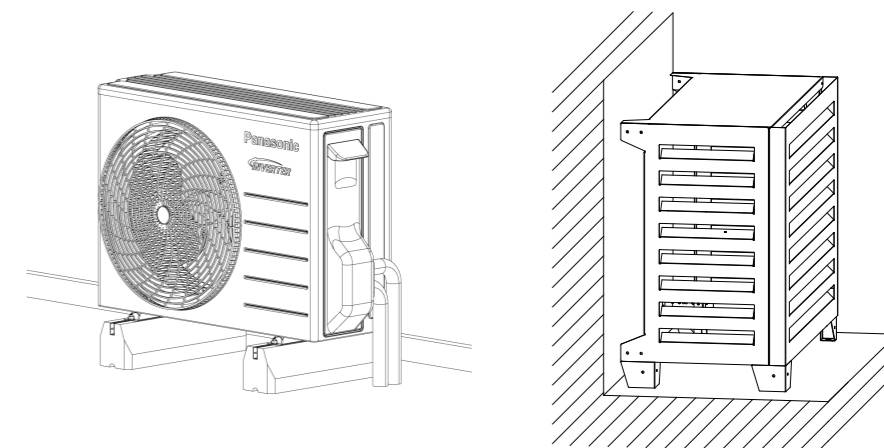
The most common type of installation for the outdoor air-conditioning unit is wall-mounted, where the unit is generally attached to the wall by brackets.



Size	External dimensions width, height, depth	Available inner space width, height, depth
S	90 cm, 70 cm, from 46 to 52 cm	82 cm, 66 cm, from 42 to 48 cm
M	100 cm, 85 cm, from 54 to 60 cm	92 cm, 81 cm, from 50 to 56 cm
L	105 cm, 95 cm, from 59 to 65 cm	97 cm, 91 cm, from 55 to 61 cm
XL	115 cm, 95 cm, from 61 to 67 cm	107 cm, 91 cm, from 57 to 63 cm
XXL	135 cm, 112 cm, from 68 to 74 cm	127 cm, 108 cm, from 64 to 70 cm
VS	90 cm, 140 cm, from 46 to 52 cm	82 cm, 136 cm, from 42 to 48 cm
VL	105 cm, 150 cm, from 59 to 65 cm	97 cm, 146 cm, from 55 to 61 cm

On the floor, next to the wall

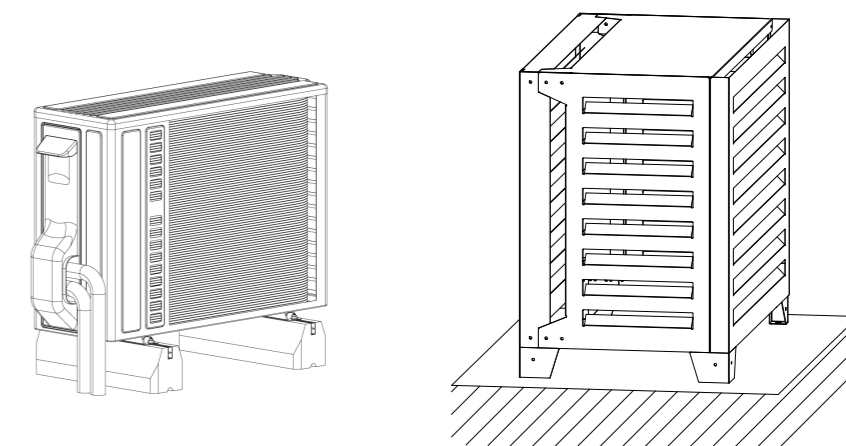
The heat pump is positioned on the ground, in close proximity to the wall. The Cover Clima is installed against the wall and rests on the ground on a pair of adjustable feet.



Size	External dimensions width, height, depth	Available inner space width, height, depth
S	90 cm, 78 cm, from 46 to 52 cm	82 cm, 75 cm, from 42 to 48 cm
M	100 cm, 93 cm, from 54 to 60 cm	92 cm, 90 cm, from 50 to 56 cm
L	105 cm, 103 cm, from 59 to 65 cm	97 cm, 100 cm, from 55 to 61 cm
XL	115 cm, 103 cm, from 61 to 67 cm	107 cm, 100 cm, from 57 to 63 cm
XXL	135 cm, 120 cm, from 68 to 74 cm	127 cm, 117 cm, from 64 to 70 cm
VS	90 cm, 148 cm, from 46 to 52 cm	82 cm, 145 cm, from 42 to 48 cm
VL	105 cm, 158 cm, from 59 to 65 cm	97 cm, 155 cm, from 55 to 61 cm

On the floor, freestanding

The heat pump is fixed to the ground and away from the wall. The Cover Clima is installed with 4 adjustable ground feet and a back panel.



Size	External dimensions width, height, depth	Available inner space width, height, depth
S	90 cm, 78 cm, 51 cm	82 cm, 75 cm, 43 cm
M	100 cm, 93 cm, 59 cm	92 cm, 90 cm, 51 cm
L	105 cm, 103 cm, 64 cm	97 cm, 100 cm, 56 cm
XL	115 cm, 103 cm, 66 cm	107 cm, 100 cm, 58 cm
XXL	135 cm, 120 cm, 73 cm	127 cm, 117 cm, 65 cm
VS	90 cm, 148 cm, 51 cm	82 cm, 145 cm, 43 cm
VL	105 cm, 158 cm, 64 cm	97 cm, 155 cm, 56 cm

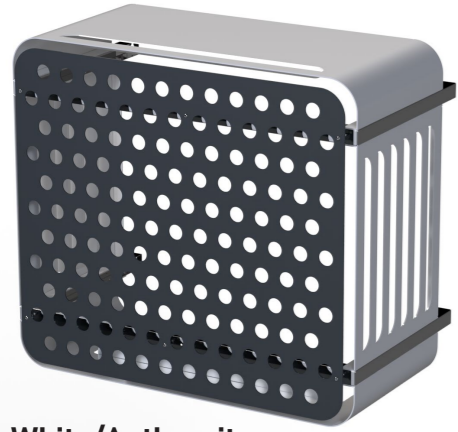
Cover Clima Hi-Fi

Hi-Fi is the air conditioner heat pump cover with a unique style, a timeless design for those who dislike the usual rectangular boxes!

It protects the outdoor unit from rain and hail, reduces

noise, and improves the facade. Available in three sizes and two colour combinations, is shipped already assembled.

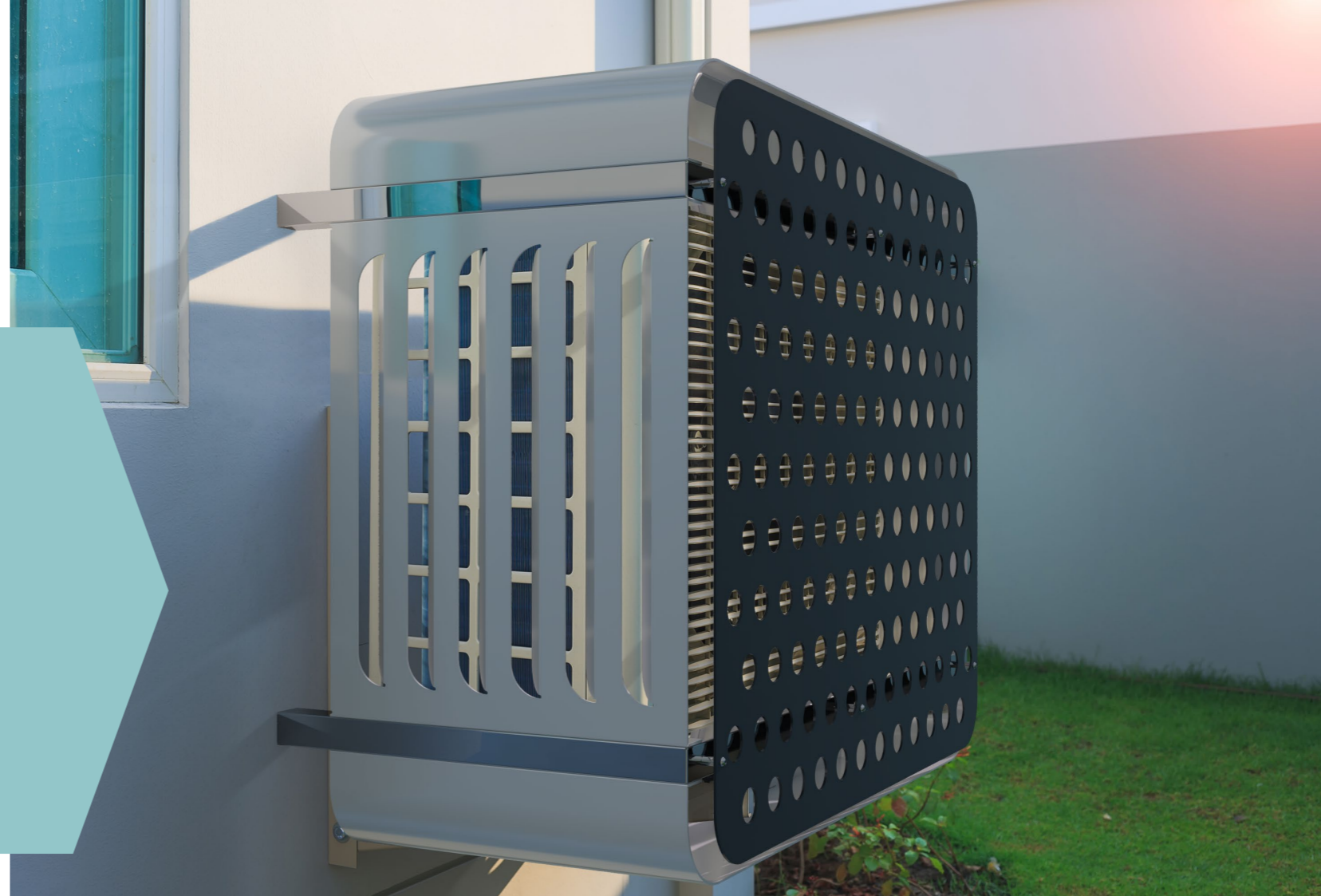
Cover Clima Hi-Fi can be made to measure and in customised colours, on request.



White/Anthracite

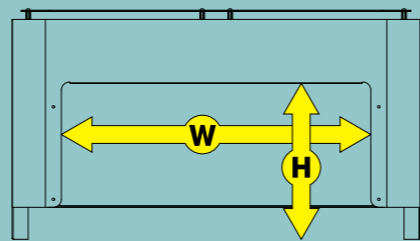
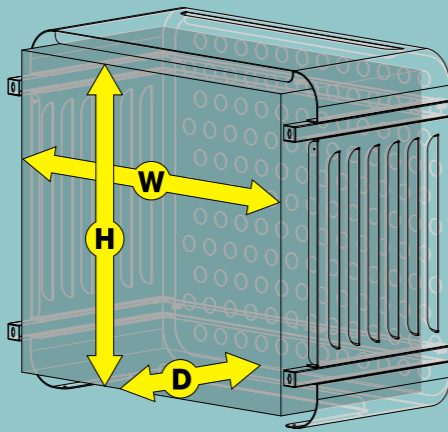


Anthracite/Silver



Cover Clima Hi-Fi

Please note, Hi-Fi is a unique cover and it is not compatible with Cover Clima system accessories.



Size	External dimensions	Available inner space	Bottom-side opening
S	92x76x52cm	(W) 82cm, (H) 67cm, (D) 45cm	(W) 60cm, (H) 36cm
M	102x91x57cm	(W) 92cm, (H) 82cm, (D) 50cm	(W) 70cm, (H) 39cm
L	107x101x62cm	(W) 97cm, (H) 92cm, (D) 55cm	(W) 75cm, (H) 42cm

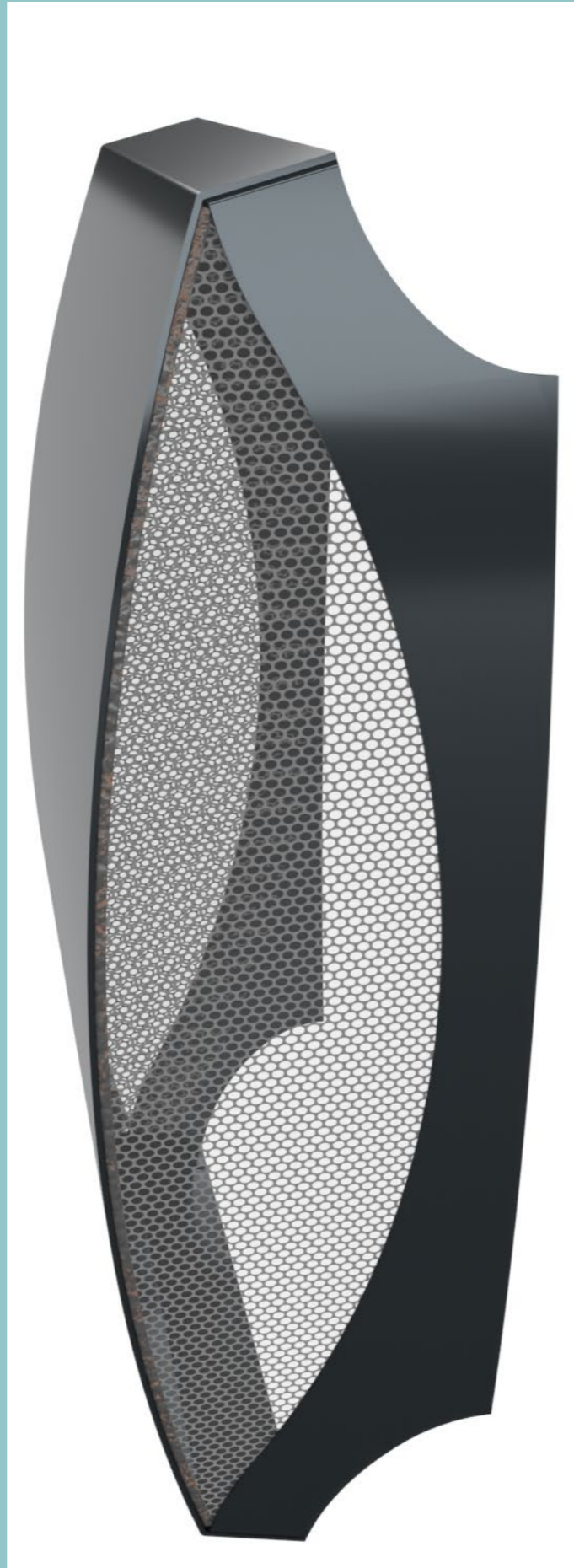
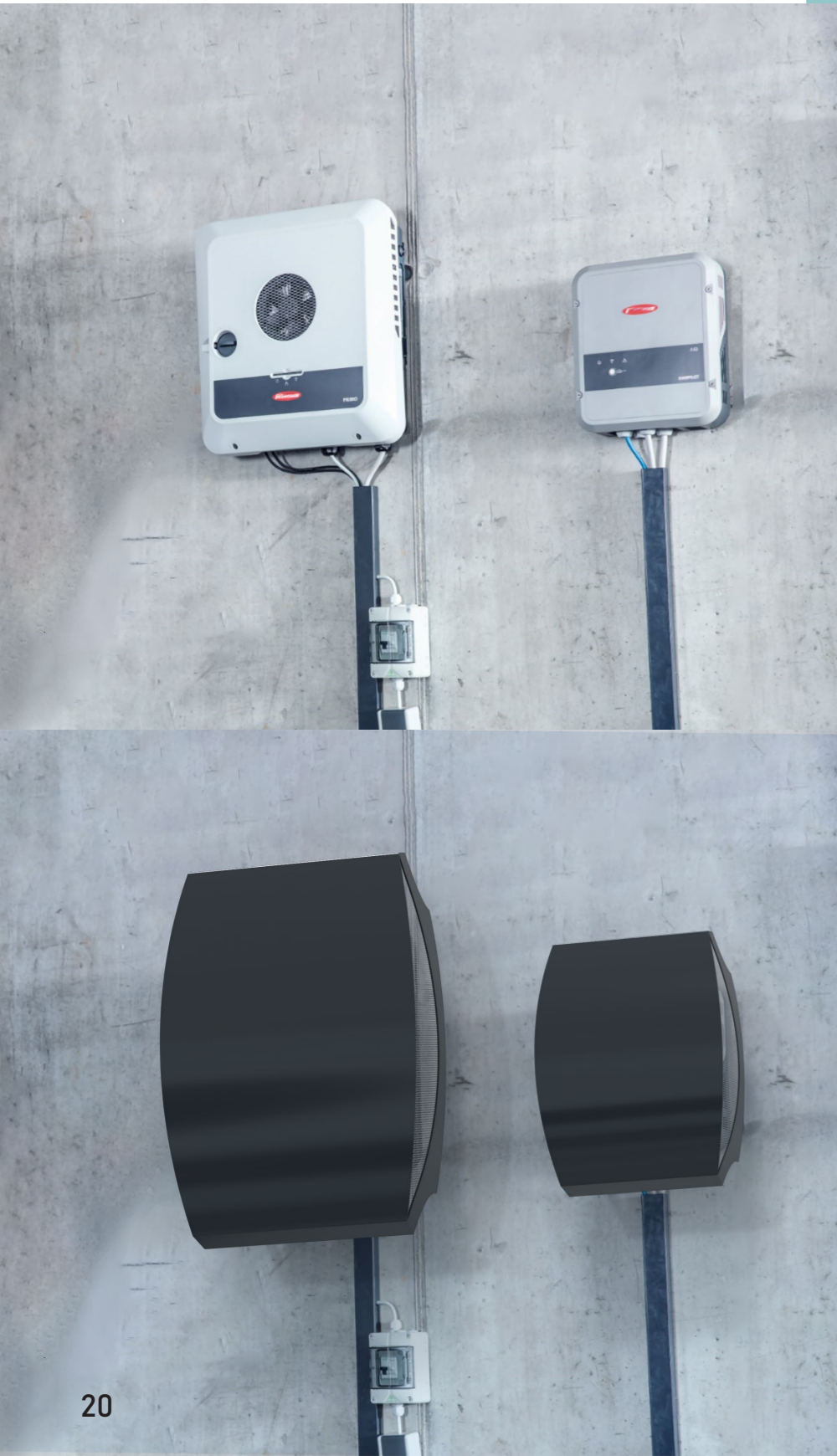




EV Charging stations covers

Box Air Klima offers a range of solutions to protect electric vehicle charging stations. Protect your wall box from damage caused by heat, UV light, ice and hail.





Solar inverter covers

The heat of summer reduces the efficiency of inverters, and the harsh weather of winter can do damage to them. Protect the inverter from the elements with the Box AirClimate covers.





www.boxairklima.com

BoxAirKlima is made by:

M2 Work S.r.l.s.

Via Roma n.15

61032 Fano

P.Iva IT 02693340412

Mail:

info@m2work.it

Tel:

[IT]+39 348 7728567

[EN/DE]+39 388 1832602

