

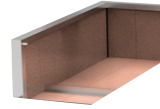
**FREESTANDING CHARCOAL GRILL**

**Main features:**



**Lifting Hooks**

It helps you to regulate the height of the grill in 2 preset positions



**Fire bricks**

Help distribute heat uniformly and extend the life of the grill.



**Firebox "brasero"**

Lights up charcoal quicker.



**Stainless Steel shovel & coal rake.**

Helps to manipulate and distribute charcoal

**Accessories sold separately:**



**Interchangeable griddle.**



**Height adjustable secondary grate**



**Griddle above brazier.**



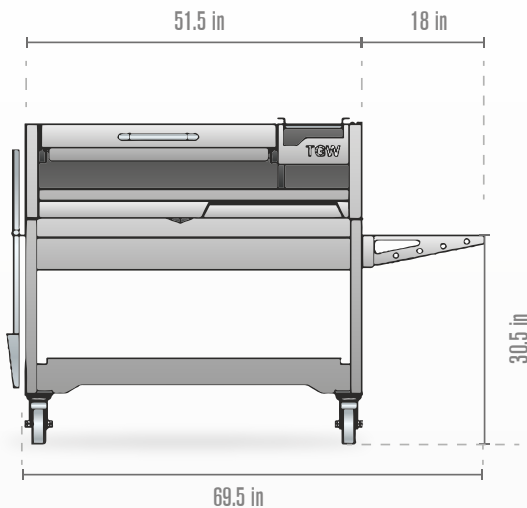
**Side table.**

**Specifications:**

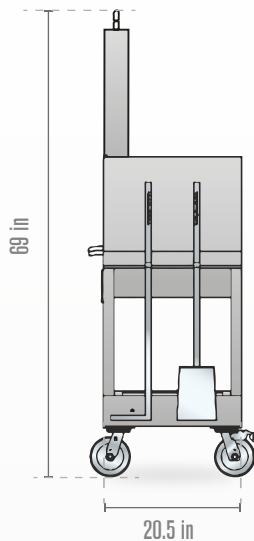
Main grilling area	32.25" x 17.25"	Weight lb	328	Minimum grate elevation	4.5 inches
2ry grilling area *Optional	8.5" x 18.5"	Dimensions in (closed lid)	47.5H x 69.5W x 20.5D	Side table *Optional	Attached
<b>Total grilling area w/2ry</b>	<b>713.5 sq. in</b>	Dimension in (open lid)	69H x 69.5W x 20.5D	Swivel casters	Yes (2 with brake)
<b>T. grilling area wo/2ry</b>	<b>556.3 sq. in</b>	Secondary grate material	Stainless steel 304	Cooking drawer	Yes
Main body material	Cold rolled steel	Griddle material	Stainless steel 304	Limited warranty	3 year
Grates material	Stainless steel 304	Maximum grate elevation	6.5 inches		

**Measurements:**

**Front view**



**Side view (open lid)**



**Side view (close lid)**

