



STUDIO SINK I

15.7"l x 15.7"w x 33.5"h
400mm x 400mm x 850mm

Description

Can a sink inspire a feeling of quiet reverence? Find out as you approach this tall, stately altar whose offering is a deep rectilinear sink and the renewing gift of water. Gently rounded corners, long surfaces and a sheared-flat top achieve elegance through pure simplicity. The effect is reserved, refined, rarified — a true elevation in every sense of the word.

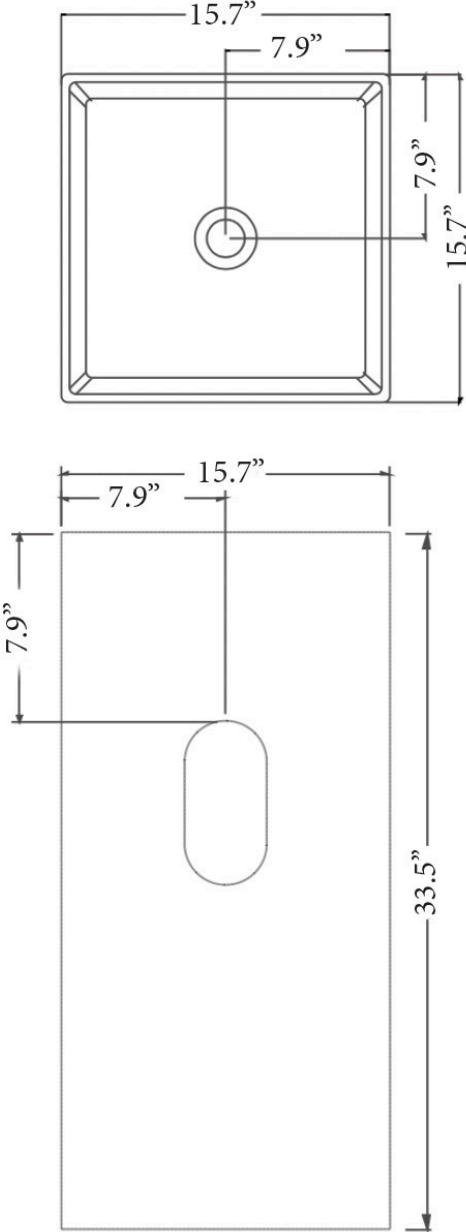
Details

Length: 15.7"
Width: 15.7"
Height: 33.5"

Model Numbers

EC-S1-BONE
EC-S1-GRAY
EC-S1-BLACK
EC-S1-BROWN

STUDIO SINK I



STUDIO SINK I



BLACK ELEVATED CONCRETE
BLACK INTERIOR
EC-S1-BLACK



GREY ELEVATED CONCRETE
GREY INTERIOR
EC-S1-GRAY



BONE ELEVATED CONCRETE
BONE INTERIOR
EC-S1-BONE



BROWN ELEVATED CONCRETE
BROWN INTERIOR
EC-S1-BROWN