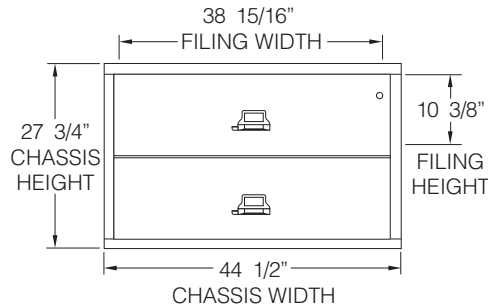


# FireKing 2-4422-C

## 2 drawer 44 Inch Width Lateral File

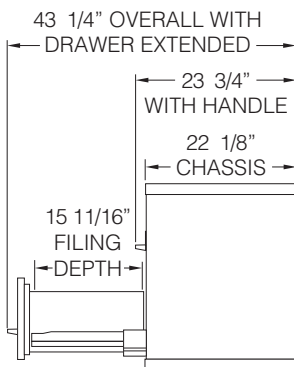
### SPECIFICATIONS

MODEL 2-4422-C:  
584 lbs (avg. ship wt.)

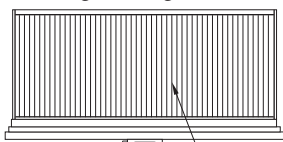


44 1/2"  
CHASSIS WIDTH

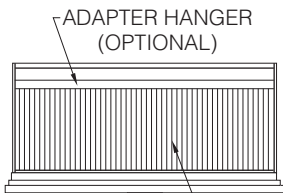
#### SIDE VIEW:



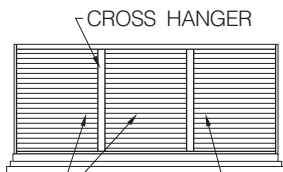
#### Filing Arrangements:



LEGAL FILING  
SIDE TO SIDE



LETTER FILING  
SIDE TO SIDE



LETTER FILING  
FRONT TO BACK IN 3 ROWS

Dimensions  
±1/16 inch

**FIRE RESISTANT INSULATION** is 100% gypsum, reinforced by a 1" by 2" lattice made of 14-gauge galvanized welded steel wire, providing complete peace of mind from fire, impact, or explosion.

**FIELD REPLACEABLE STEEL PANELS** can easily be replaced in the event that any panel is damaged.

**FINISH** is an environmentally-friendly electrostatic powder coating applied to all sides, including bottom. The finish is scratch-resistant, providing a lifetime quality appearance. Standard colors available include: arctic white, ivory white, parchment, tan, taupe, brown, black, sand, champagne, platinum, and pewter.

**DRAWER BODIES** are built with high sides for use with hanging folders – no additional frames are needed. Each file includes 2 cross hangers per drawer.

**DRAWER SUSPENSIONS** are maintenance free.

**DRAWER LOCKS** are UL-listed Medeco high-security key locks.

**DRAWER PULLS** are surface mounted to allow for extra insulation inside the drawer heads.

**INSULATION BETWEEN ALL DRAWERS** makes each drawer a separate insulated container.

**WATER RESISTANCE** means files are designed to prevent water damage resulting from sprinklers and fire hoses.

**INTERLOCKS** prevent more than one drawer from opening at the same time to protect users from accidental tipping.

**DRAWER HEADS** are formed of welded steel and filled with fire resistant insulation, and are field replaceable.

**UNDERWRITERS LABORATORIES' (UL) FIRE & IMPACT RATING.** These models carry the 1-Hour Class 350 Fire with Impact UL label. Tests include 1 hour exterior fire exposure at 1700°F, a 2000°F explosion test, and a 30 foot drop to test integrity.

**ETL 30 MINUTE FIRE** Verified to protect hard drives, CD's, DVD's and thumbdrives.

**OPTIONAL UPGRADES** are available to enhance your file's appearance or functionality. Upgrades available include custom color finishes, standard lock options, casters, and interior options such as adapter hangers, document inserts, trays, cross hangers, and inner drawers.

**FIREKING'S LIMITED LIFETIME WARRANTY** on all mechanical or operable parts. Associated labor costs will be paid by FireKing for two years from the date of purchase (with authorization in advance).

If your FireKing file sustains any damage while protecting documents from a fire, FireKing will replace the file free of charge and ship it freight collect to original owner. For more details visit [www.fireking.com](http://www.fireking.com).

**FireKing®**



1-hr  
fire rated



30 ft  
impact rated



1/2-hr  
ETL rating



water  
resistant



high-security  
key lock



Made in the  
U.S.A.

SafetyFile  
800.700.8025 / 952.908.3160  
[www.safetyfile.com](http://www.safetyfile.com)  
[sales@safetyfile.com](mailto:sales@safetyfile.com)