

6771726 6771727 6771728 6771729 6771730 6771731

MEDICINE CABINET

INSTALLATION GUIDE

IMPORTANT SAFETY INSTRUCTIONS

When using an electrical furnishing, basic precautions should always be followed, including the following:



DANGER

READ AND FOLLOW ALL INSTRUCTIONS BEFORE USING THIS CABINET.



WARNING

To reduce the risk of burns, fire, electric shock or injury to persons. Use this furnishing only for its intended use as described in these instructions. Do not use attachments not recommended by the manufacturer. Never drop or insert any object into any opening. Do not use outdoors.



WARNING

Risk of electric shock. Connect this furnishing to a properly grounded circuit only. See Grounding instructions.



CAUTION

Total/Maximum shelf load 34lbs/15.4kg

GROUNDING INSTRUCTIONS:

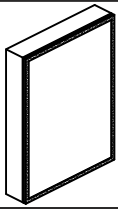
This product must be connected to a grounded metal, permanent wiring system, or an equipment-grounding conductor must be run with the circuit conductors and connected to the equipment-grounding terminal or lead on the product.



WARNING

An Electrical option cabinet must be wired to a 20 Amp GFI (Ground Fault Interrupter) protected circuit when used in bathrooms and all other locations required by the National Electric Code.

PLEASE SAVE THESE INSTRUCTIONS FOR FUTURE REFERENCE

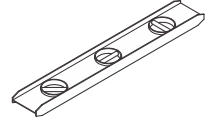
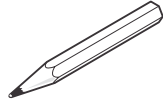
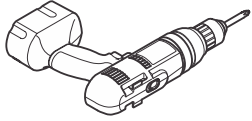


6771726 6771727 6771728 6771729 6771730 6771731

MEDICINE CABINET

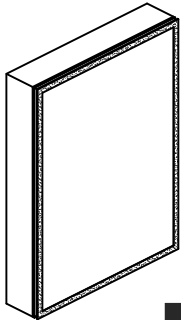
INSTALLATION GUIDE

TOOLS REQUIRED FOR ASSEMBLY

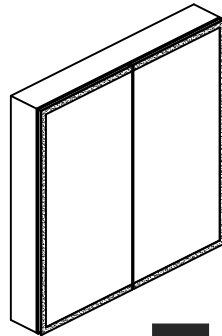


1/8" Drill Bit

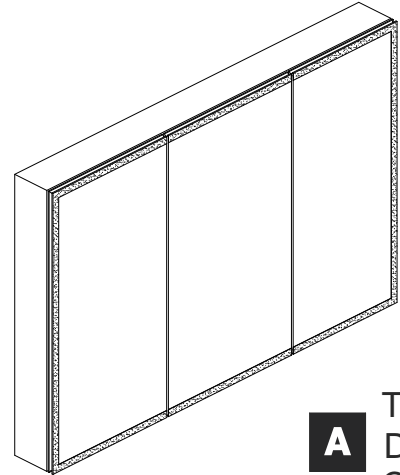
PARTS



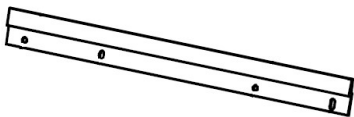
A Single Door Cabinet



A Double Door Cabinet



A Triple Door Cabinet



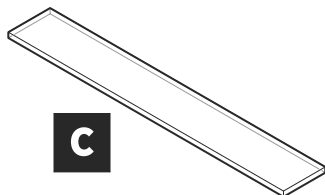
Top Mounting Bracket



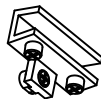
Screw Cap



Hinge Screw



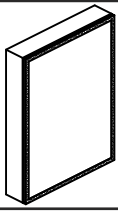
Glass Shelf



Shelf Clip



Wire Nut

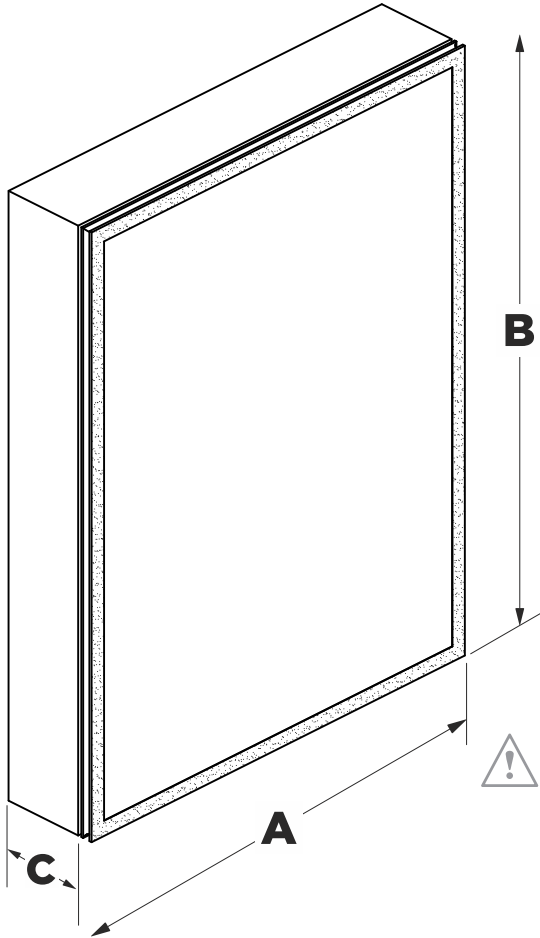


6771726 6771727 6771728 6771729 6771730 6771731

MEDICINE CABINET

INSTALLATION GUIDE

DIMENSIONS



A - Cabinet's Width

B - Cabinet's Height

C - Cabinet's Depth

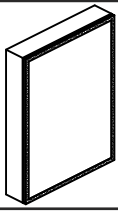


NOTE: Determine overall medicine cabinet dimensions. If recessing medicine cabinet, determine rough-in dimensions.

SKU:	6771726	6771727	6771728	6771729
A	18"	24"	30"	36"
B	30"	32"	32"	32"
C	5"	5"	5"	5"

SKU:	6771730	6771731		
A	48"	60"		
B	28"	28"		
C	5"	5"		

*All dimensions & specifications are approximate and subject to change without notice.



6771726 6771727 6771728 6771729 6771730 6771731

MEDICINE CABINET

INSTALLATION GUIDE

ELECTRIC CONNECTIONS

ALL WIRING SHOULD BE DONE BY A QUALIFIED LICENCED ELECTRICIAN



WARNING: Shut off power before wiring the cabinet.



WARNING: An Electrical option cabinet must be wired to a 20 Amp GFI (Ground Fault Interrupter) protected circuit when used in bathrooms and all other locations required by the National Electric Code.

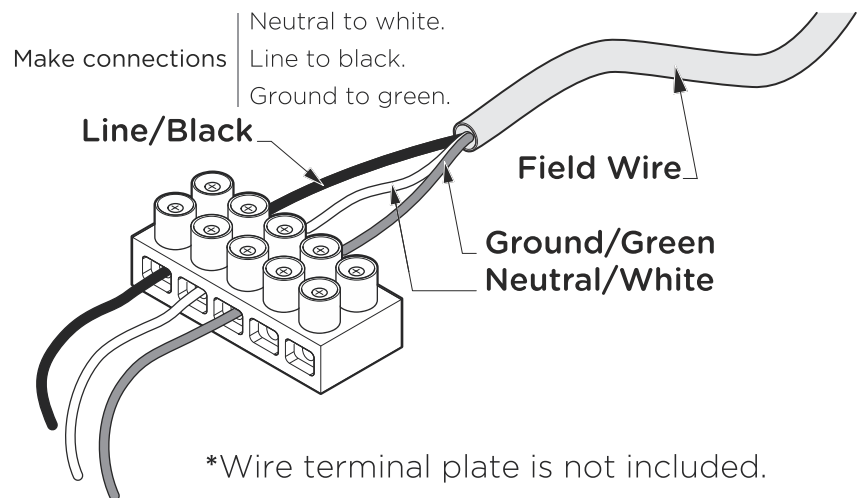
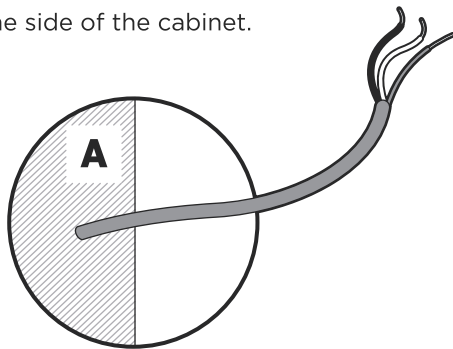


CAUTION: This product must be connected to a grounded, metal permanent wiring system or an equipment-grounding conductor must be run with the circuit conductors and connected to the equipment grounding terminal or lead on the product.



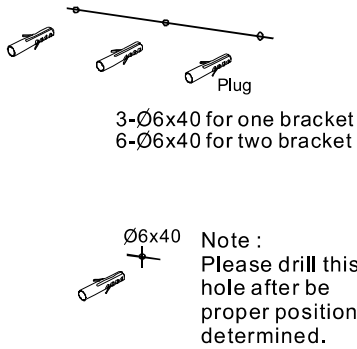
CAUTION: Requires 120 VAC 20 Amp GFI protected circuit.

The electric wire comes through the access hole in the side of the cabinet.



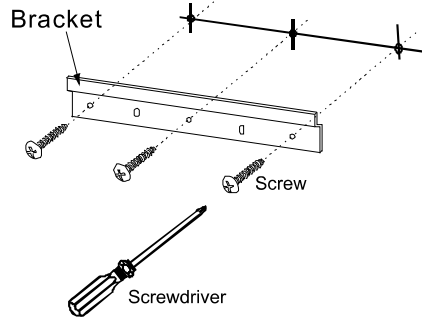
SURFACE-MOUNT INSTALLATION

1



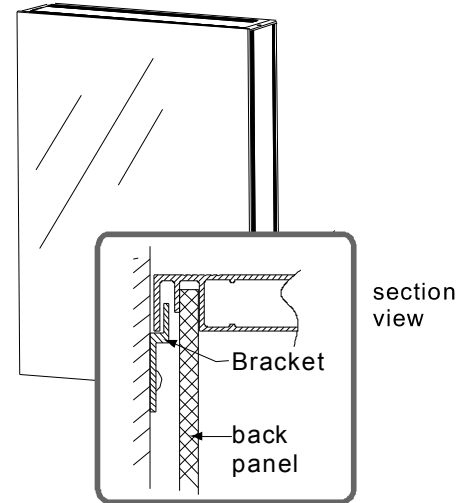
1. Using a spirit level, mark off a horizontal line and plug holes on proper position of wall. Drill the required holes and insert wall plugs.

2



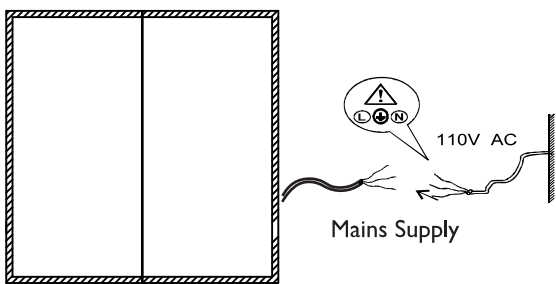
2. Screw the bracket to the wall by using the screws provided.

3



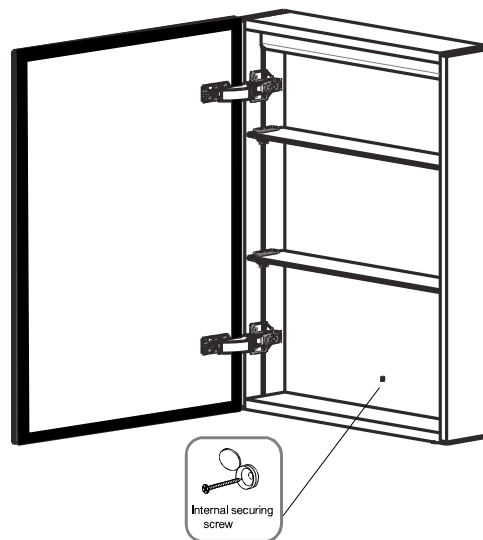
3. Hang the cabinet on the wall bracket, the claws on the cabinet hangers must be securely located on the wall bracket. (the position of cabinet can be adjusted about 10cm for left side or right side)

4



4. Connect the wire to local power wire.

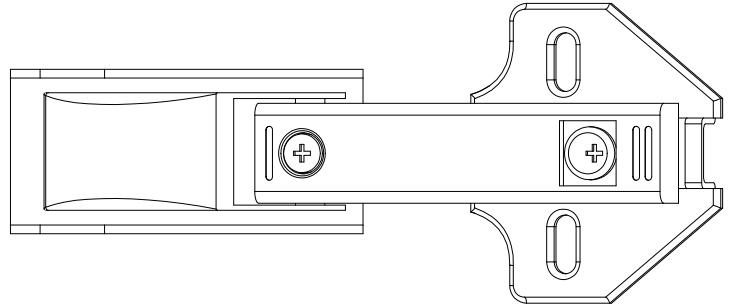
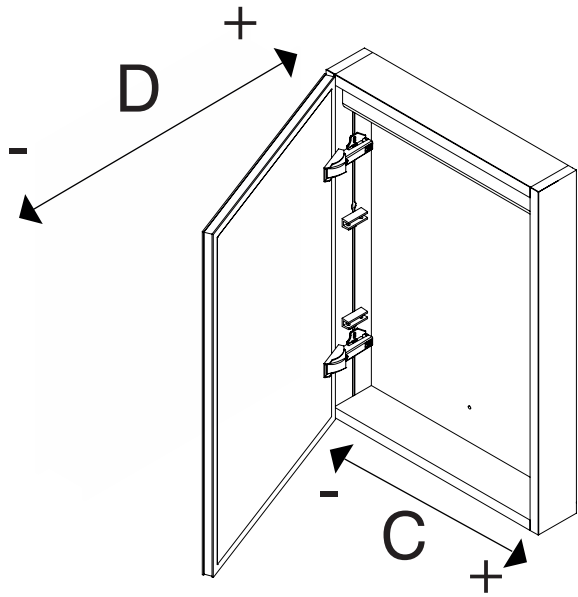
5



5. Install the shelves clips to hold the glass shelves, use the rubber plug to cover the rest of pre-drilled holes.

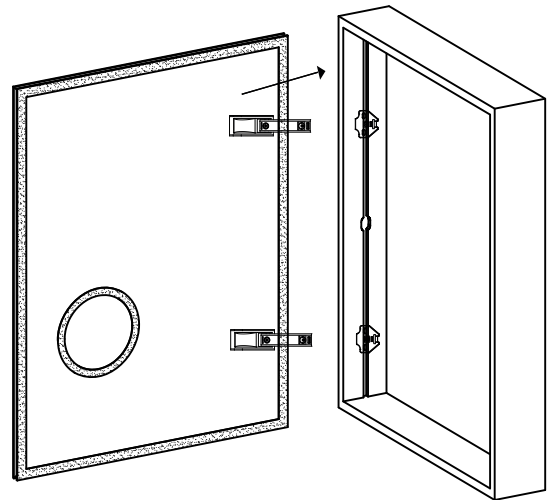
FINAL ASSEMBLY

- 1** Slide the doors into place by pinching the end of the hinge.

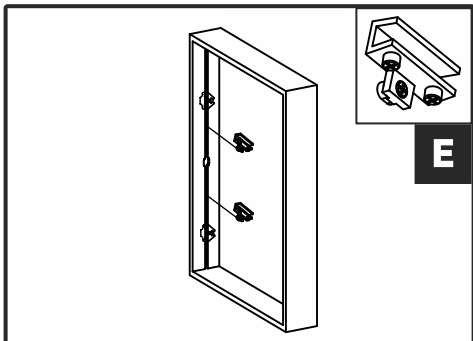


OPTIONAL DOOR ADJUSTMENT

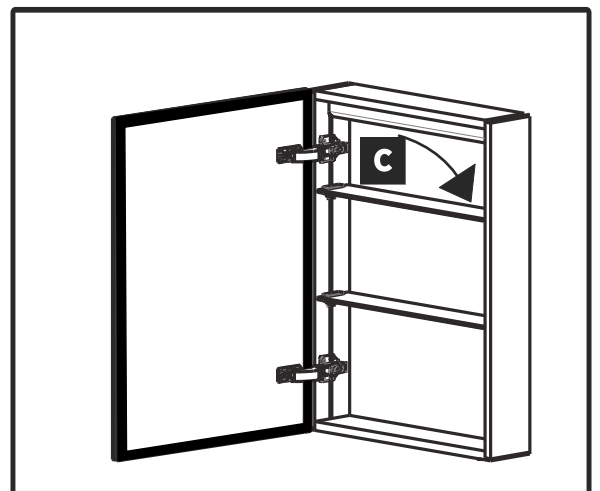
Doors may need to be adjusted after the initial shipping of the cabinet. The cabinet doors have a three-way adjustment feature. Height, side-to-side, level and depth can be adjusted. With the hinge slightly closed you can access the middle screw for up/down adjustment. With the hinge fully extended you can access the front and back screws. These screws will move the door side to side and in and out.



- 2** Insert clear snap in shelf clips (F) into holes on the sides of the cabinet (A).



Push the side of the shelf (C) in the left or right clip and snap the shelf (C) down.



FINAL ASSEMBLY

OPERATING YOUR LIGHT AND DEFOGGER:

To operate your lighting simply flip the switch to the desired location: Position I will produce 3000K light (generally referred to as soft white) while Position II will produce 6000K light (generally referred to as daylight).

The defogger will operate as long as the light is on. It will shutoff with the light.

Use and Maintenance:

CAUTION: Maximum total shelf load 34 LBS

Cabinet and doors are constructed of mirrored glass and aluminum. Use a damp cloth to clean your cabinet and mirrors. Do not use any abrasive material as it may damage the surface and finish of the cabinet. A mild detergent may be used to clean the surfaces of the cabinet. When cleaning spray the cloth, not the cabinet, mirrors or surrounding surfaces.