

Installation and User's Guide
Valencia MY1857



Dimensions
67" L x 31 1/2" D x 24" H
SKU# 6714634

General Instructions:

- *Please take a few minutes to review this manual before you start installation.*
- *If you encounter any installation or performance problems, don't hesitate to contact us at 1-888-266-7976.*

Before you begin:

- *All plumbing installations should be done by a licensed professional plumber/installer.*
- *Observe all local plumbing and building codes.*

Caution:

- *You will need at least two people to install this product properly*
- *Risk of personal injury. Do not support or lift the tub by the rim.*
- *Provide an adequate support underneath the feet.*

Reminder:

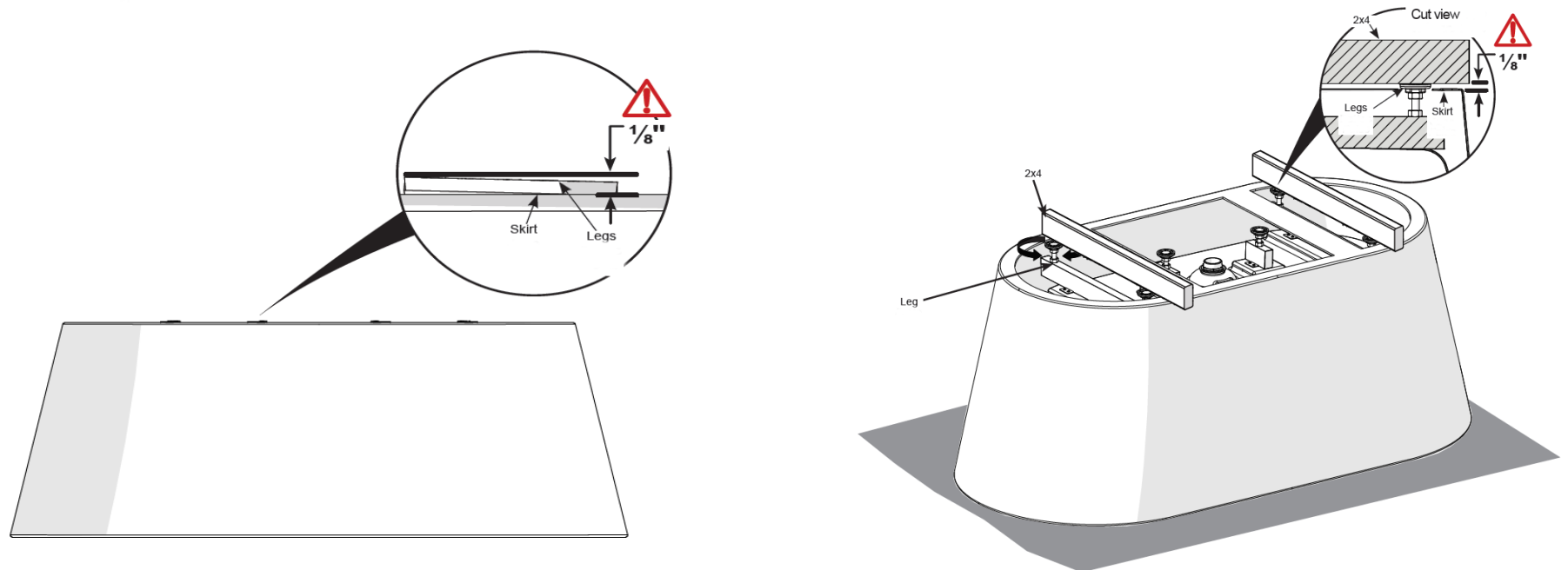
- *Unpack and inspect the tub for damage. Return the tub to the carton until you are ready to install.*
- *Install the tub on an adequately supported, level floor.*
- *Before installation, ensure proper access to the final plumbing connections.*

Required Tools:

- *Tape measure*
- *Pencil*
- *Level*
- *Silicone*
- *Additional: Fabric cloth/blanket to protect the tub*

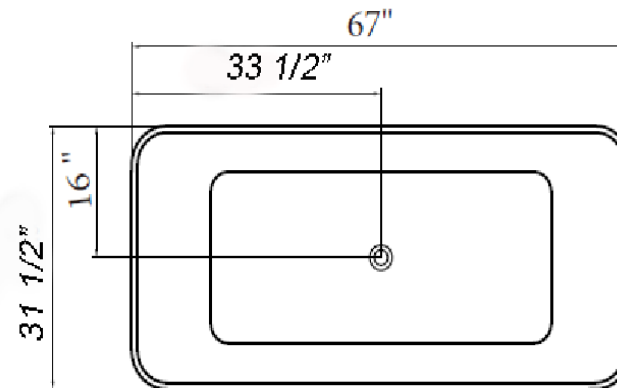
Leveling legs adjustment

Place the bathtub upside down on cardboard to protect the surface. Adjust the legs so that they exceed the top of the edge of the skirt by 1/8". You can use a 2x4 to take the measure as shown. Turn the tub over to confirm that it is stable on the ground. Validate that all legs are in contact with the ground.

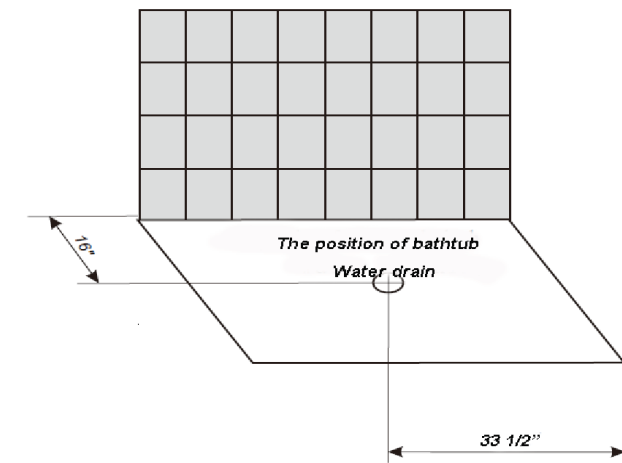


Installation:

- 1. Remove the tub from its carton and place it on a throw rug or other protective floor covering to prevent damage to the tub or to the floor.*
- 2. Place a clean drop cloth or similar material on the bottom of the tub, being careful not to scratch the surface of the tub.*
- 3. Connect the trap to the drain.*



Drain Diagram

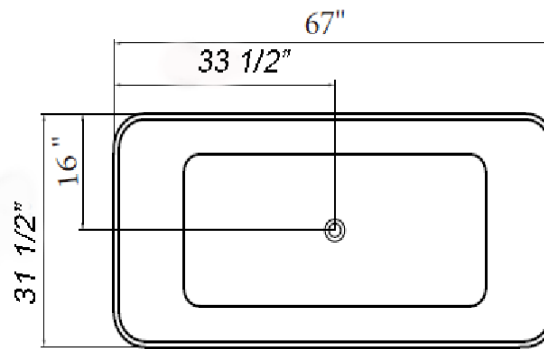


Solid Installation Dimension

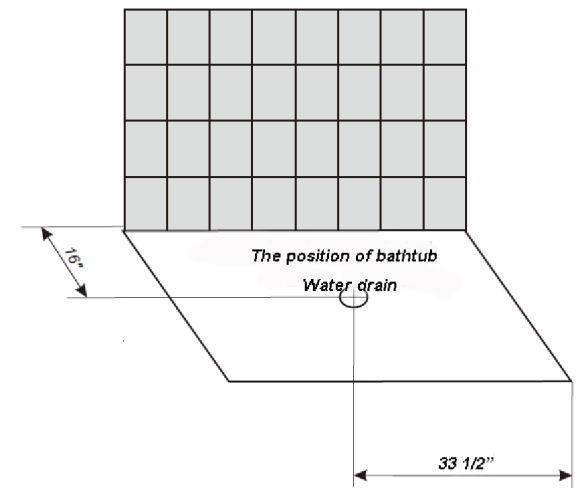
Installation

4. Add a bead of silicone around the base of the tub to seal the tub to the floor.

5. Fill the tub to the overflow drain to check for leaks and cracks.



Drain Diagram



Solid Installation Dimension



LIMITED 5 YEAR WARRANTY

► *Limited 5-year warranty*

This warranty extends only to the original owner lend-user for personal household use only. For commercial uses, additional limitations may apply. DREAMWERKS BATH & SHOWER warrants acrylic surface against blistering or cracking and chipping resulting from defect in the acrylic surface material when used under normal condition and service for a period of Five (5) years from the purchase date. DREAMWERKS BATH & SHOWER warrants your satisfaction with each bathtub. Should any bathtub not meet your satisfaction due to a visual defect, simply return it to your retailer with the original packaging, PRIOR TO INSTALLATION, for a replacement. DREAMWERKS BATH & SHOWER warrants, bathtubs to be free from defects in workmanship and materials under normal use and service for a period of Five (5) years DREAMWERKS BATH & SHOWER will, at its election, replace, or make appropriate adjustment where DREAMWERKS BATH & SHOWER optional inspection discloses any such defects occurring in normal usage within the warrantee periods. Please note that DREAMWERKS BATH & SHOWER is not responsible for installation or removal costs. Modification of any bathtub components may void the warranty. This warranty does not cover any claim arising from abuse, misuse, negligence, accident, improper installation or operations on the part of the purchaser. This warranty is void if the DREAMWERKS BATH & SHOWER product is subject to alterations, or if repairs where done to the bath unit. This warranty does not extend to any plumbing or components installed by dealers, installers or by any other party. Implied warranties, including that of merchantability or fitness for a particular purpose, are expressly limited in duration to the duration of this warranty. DREAMWERKS BATH & SHOWER disclaim any liability for special, incidental or consequential damages



► ***Consumer responsibilities:*** DREAMWERKS BATH & SHOWER Bathtub products will remain beautiful for many years if you properly care for them. Some of the waterproofed plastic strips and other seals will need to be replaced when they show signs of Wear, yellowing or are no longer watertight. Water conditions in various parts of the country will determine any extra cleaning attention needed for your new bath.

DREAMWERKS BATH & SHOWER does not recommend the use of harsh abrasive cleansers on any of its products. Harsh cleansers will damage the finish of your bath.

► ***Maintenance:*** For the daily maintenance, use a wet cloth and a soft liquid cleaner. Never use abrasive cleaners containing some acetone, chlorine or strong bleach, scrapers, metallic brushes, nor other objects or the products which can graze or tarnish surfaces.