

Installation and User's Guide
Marbella MY1859



Dimensions

67" L x 31 1/2" W x 26" H

SKU# 6714635

General Instructions:

- *Please take a few minutes to review this manual before you start installation.*
- *If you encounter any installation or performance problems, don't hesitate to contact us at 1-888-266-7976.*

Before you begin:

- *All plumbing installations should be done by a licensed professional plumber/installer.*
- *Observe all local plumbing and building codes.*

Caution:

- *You will need at least two people to install this product properly*
- *Risk of personal injury. Do not support or lift the tub by the rim.*
- *Provide an adequate support underneath the feet.*

Reminder:

- *Unpack and inspect the tub for damage. Return the tub to the carton until you are ready to install.*
- *Install the tub on an adequately supported, level floor.*
- *Before installation, ensure proper access to the final plumbing connections.*

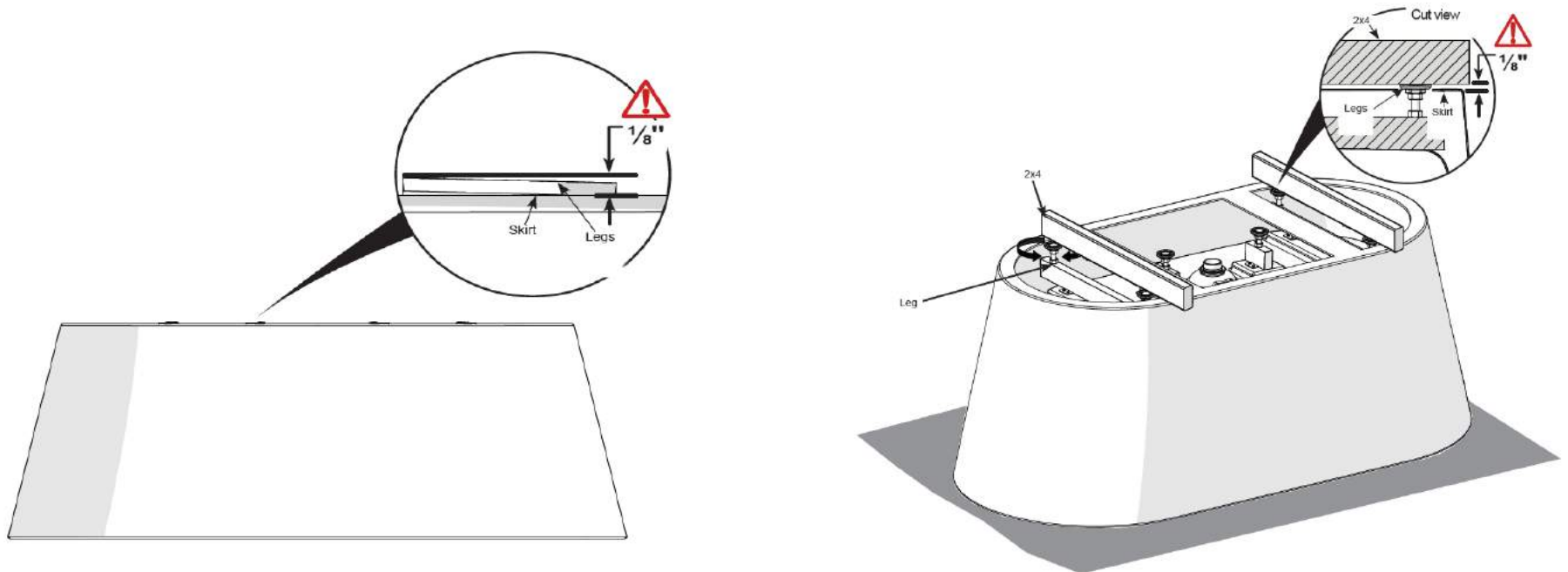
Required Tools:

- *Tape measure*
- *Pencil*
- *Level*
- *Silicone*
- *Additional: Fabric cloth/blanket to protect the tub*

Leveling legs adjustment

Place the bathtub upside down on cardboard to protect the surface. Adjust the legs so that they exceed the top of the edge of the skirt by 1/8". You can use a 2x4 to take the measure as shown. Turn the tub over to confirm that it is stable on the ground.

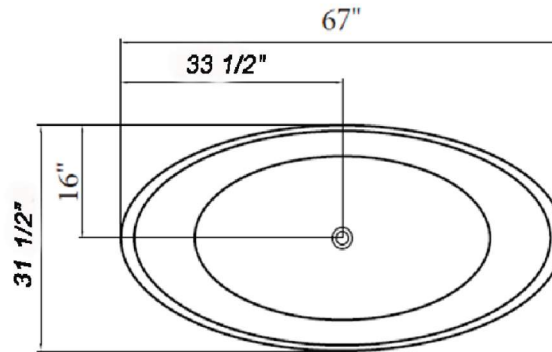
Validate that all legs are in contact with the ground.



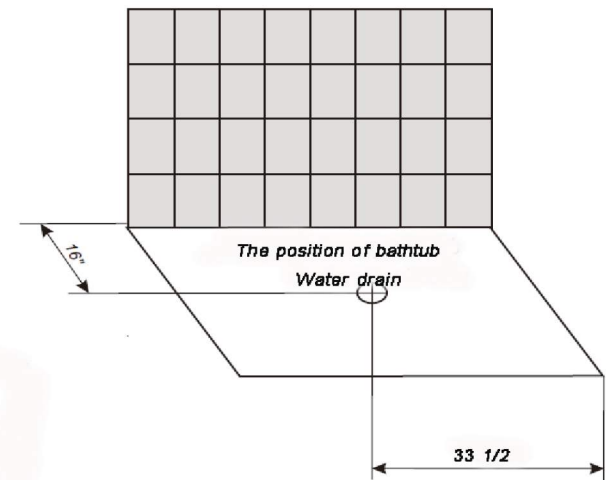
Installation:



1. Remove the tub from its carton and place it on a rug or other protective floor covering to prevent damage to the tub or to the floor.
2. Position a clean drop cloth or similar material on the bottom of the tub, being careful not to scratch the surface of the tub.
3. Connect the trap to the drain.



Drain Diagram

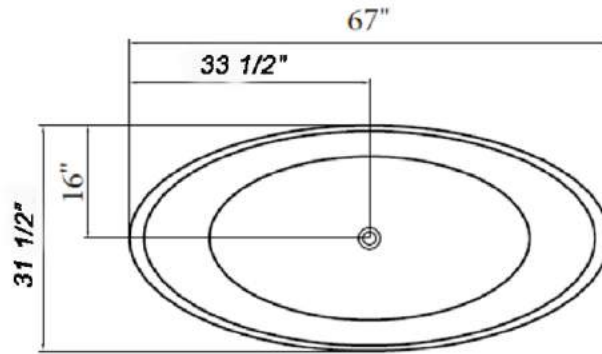


Solid Installation Dimension

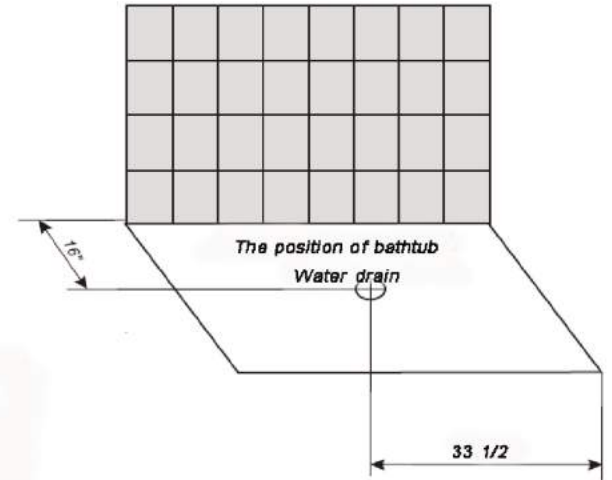


Installation:

4. *Add a bead of silicone around the base of the tub to seal the tub to the floor.*
5. *Fill the tub to the overflow drain to check for leaks and cracks.*



Drain Diagram



Solid Installation Dimension



► ***Consumer responsibilities:*** DREAMWERKS BATH & SHOWER Bathtub products will remain beautiful for many years if you properly care for them. Some of the waterproofed plastic strips and other seals will need to be replaced when they show signs of Wear, yellowing or are no longer watertight. Water conditions in various parts of the country will determine any extra cleaning attention needed for your new bath.

DREAMWERKS BATH & SHOWER does not recommend the use of harsh abrasive cleansers on any of its products. Harsh cleansers will damage the finish of your bath.

► ***Maintenance:*** For the daily maintenance, use a wet cloth and a soft liquid cleaner. Never use abrasive cleaners containing some acetone, chlorine or strong bleach, scrapers, metallic brushes, nor other objects or the products which can graze or tarnish surfaces.