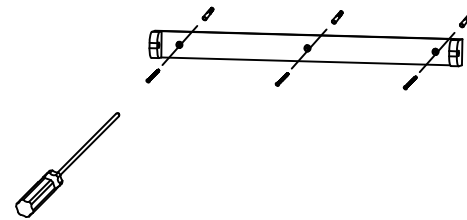


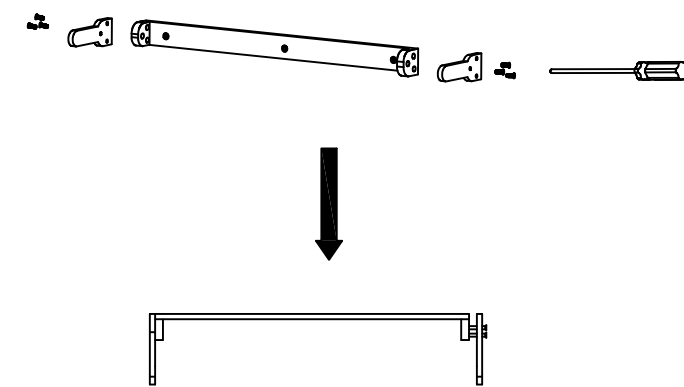
LED Mirror Installation Instructions

(1)



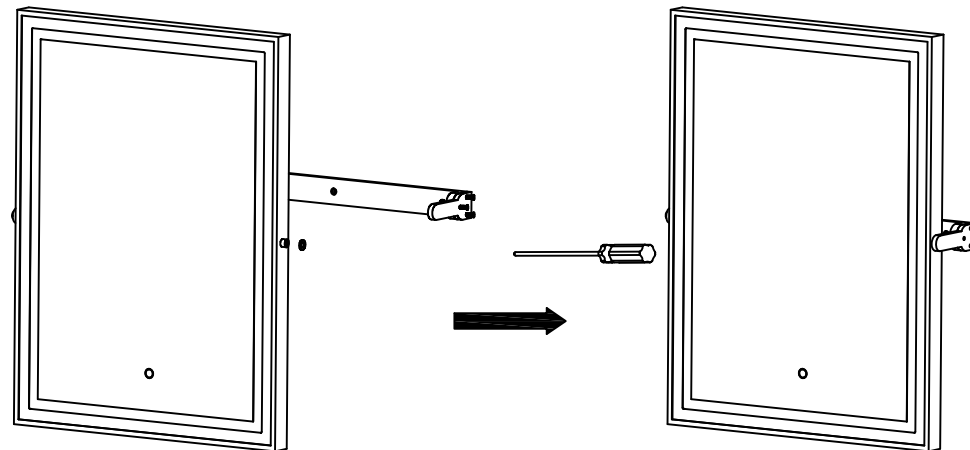
Install the metal support on wall .

(2)



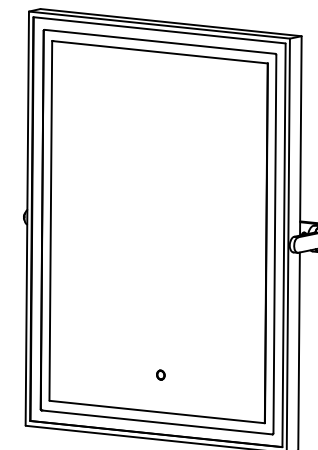
Install the left and right metal on the wall metal support .

(3)



Install the mirror on the wall metal support by plastic sealing ring .

(4)



Check the stability of the mirror and support .